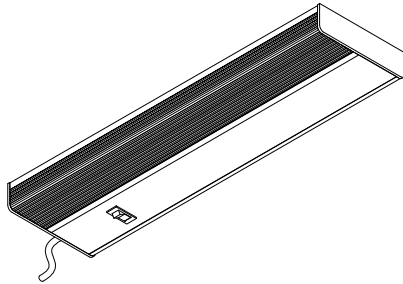




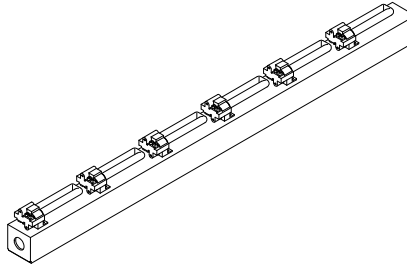
VISUAL GUIDE

UNDER CABINET



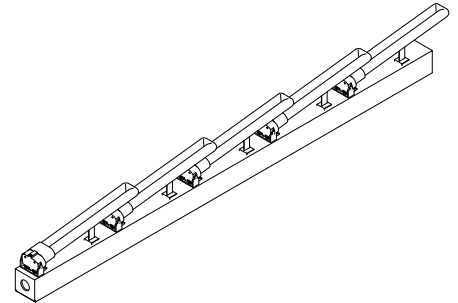
SECTION 1

COVE SI (Straight with In-line lamps)



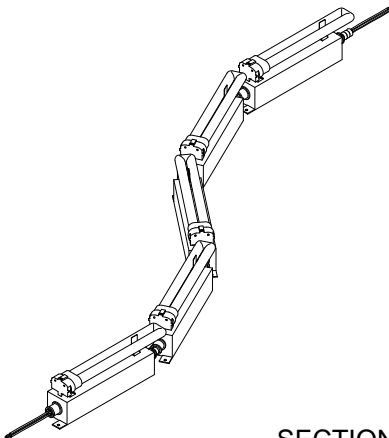
SECTION 2

COVE SO (Straight with Overlapping lamps)



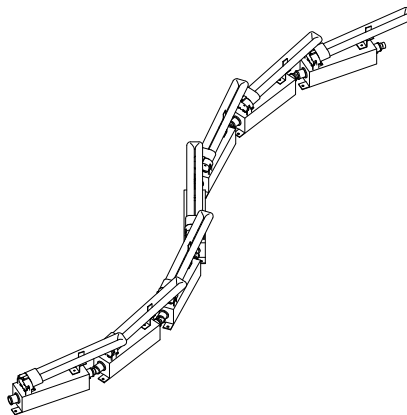
SECTION 3

COVE FI (Flexible with In-line lamps)



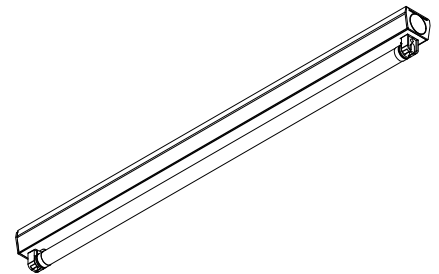
SECTION 4

COVE FO (Flexible with Overlapping lamps)



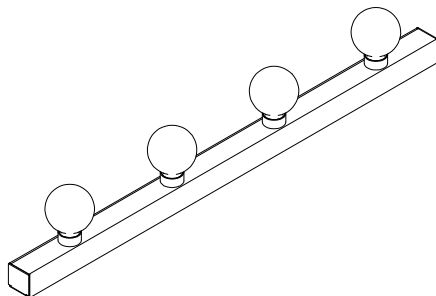
SECTION 5

AMBIENT FLUORESCENT



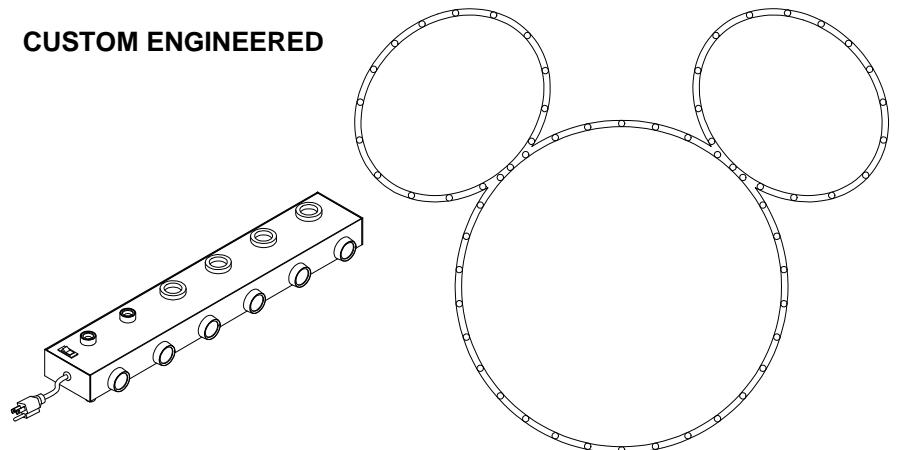
SECTION 6

DECORATIVE INCANDESCENT



SECTION 7

CUSTOM ENGINEERED



SECTION 8

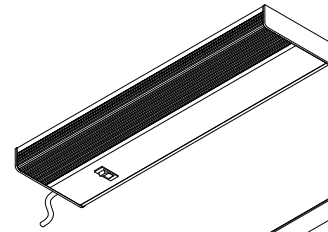
TABLE OF CONTENTS

Under Cabinet

12 Series

- T8 Lamps
- T5 Lamps
- T5HO Lamps
- 13 Watt Compact Fluorescent

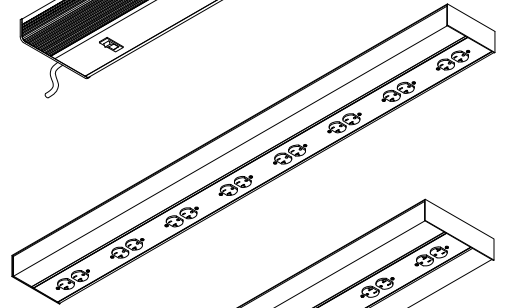
(12 Series)



35R Single Side Fluorescent with Duplex Outlets

- 35R T8
- 35R T5

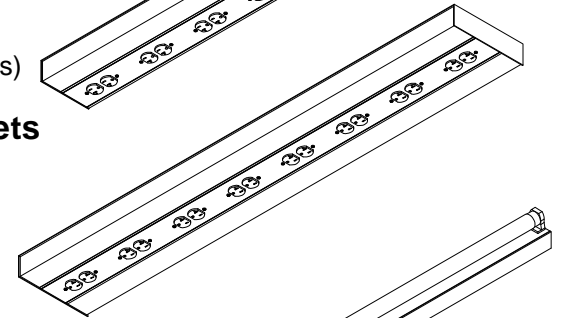
(35R Series)



37R Double Side Fluorescent with Duplex Outlets

- 37R T8
- 37R T5

(37R Series)

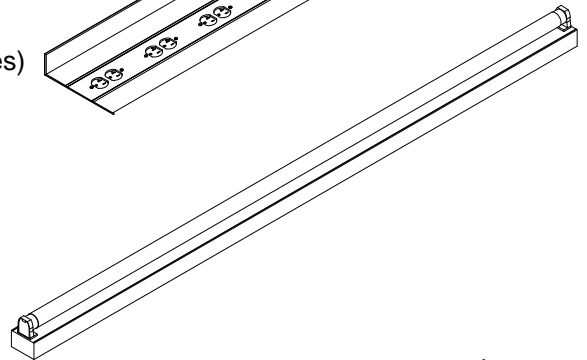


COVE SI

20 Series Straight & In-Line

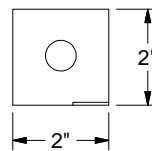
- 20SI Linear T8
- 20SI Linear T5, T5HO

(20 Series)

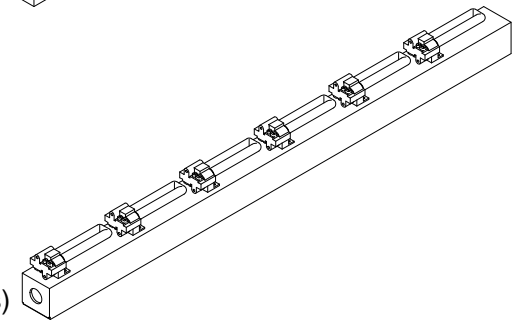


23000 Series Straight & In-Line

- 2304SI(X) 7/9 watt 4 Pin Twin Tube
- 2305SI(X) 13 watt 4 Pin Twin Tube
- 2306SI(X) 18 watt Twin Tube
- 2307SI(X) 26 watt Quad Tube
- 2308SI(X) 24/27 watt Twin Tube
- 2309SI(X) 36/39 watt Twin Tube
- 2310SI(X) 40 watt Twin Tube
- 2311SI(X) 50 watt Twin Tube
- 2312SI(X) 55 watt Twin Tube

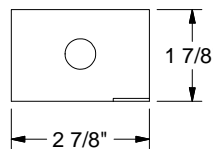


(23 Series)

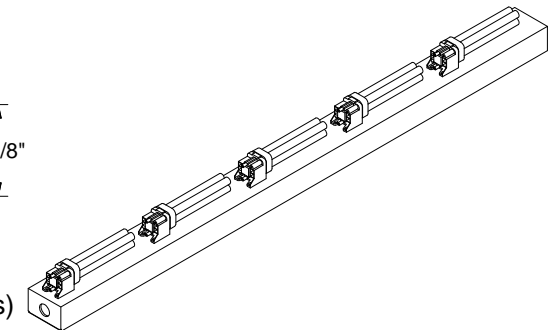


32000 Series Straight & In-Line

- 3204SI(X) 7/9 watt 4 Pin Twin Tube
- 3205SI(X) 13 watt 4 Pin Twin Tube
- 3206SI(X) 18 watt Twin Tube
- 3207SI(X) 26 watt Quad Tube
- 3208SI(X) 24/27 watt Twin Tube
- 3209SI(X) 36/39 watt Twin Tube
- 3210SI(X) 40 watt Twin Tube
- 3211SI(X) 50 watt Twin Tube
- 3212SI(X) 55 watt Twin Tube



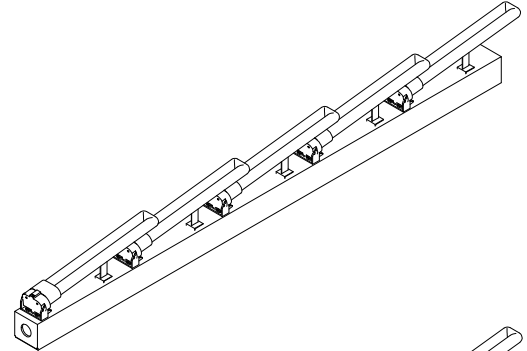
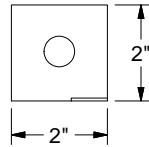
(32 Series)



COVE SO

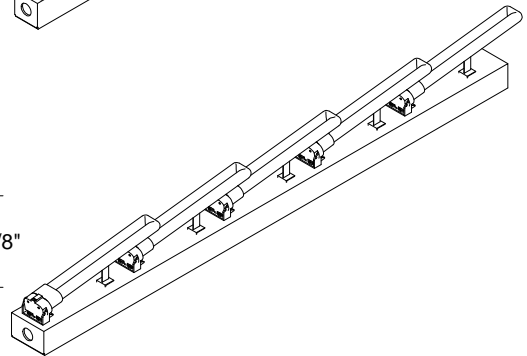
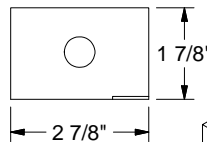
23000 Series Straight & Overlapping

- 2304SO(X) 7/9 watt 4 Pin Twin Tube
- 2305SO(X) 13 watt 4 Pin Twin Tube
- 2306SO(X) 18 watt Twin Tube
- 2308SO(X) 24/27 watt Twin Tube
- 2309SO(X) 36/39 watt Twin Tube
- 2310SO(X) 40 watt Twin Tube
- 2311SO(X) 50 watt Twin Tube
- 2312SO(X) 55 watt Twin Tube



32000 Series Straight & Overlapping

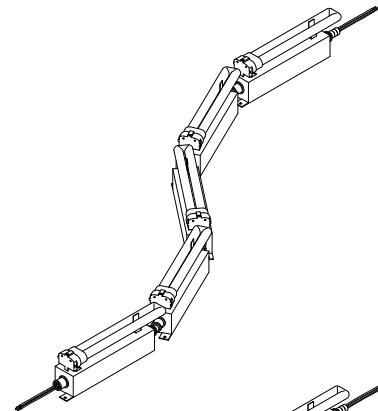
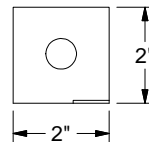
- 3204SO(X) 7/9 watt 4 Pin Twin Tube
- 3205SO(X) 13 watt 4 Pin Twin Tube
- 3206SO(X) 18 watt Twin Tube
- 3208SO(X) 24/27 watt Twin Tube
- 3209SO(X) 36/39 watt Twin Tube
- 3210SO(X) 40 Watt Twin Tube
- 3211SO(X) 50 watt Twin Tube
- 3212SO(X) 55 watt Twin Tube



COVE FI

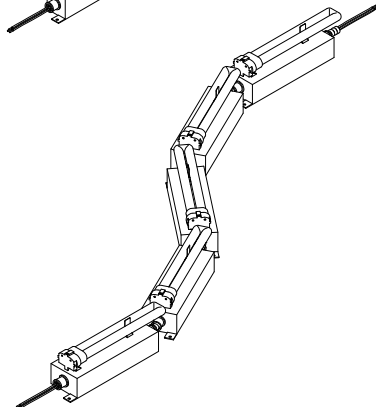
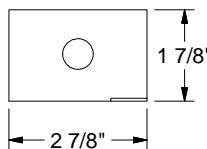
23000 Series Flexible & In-Line

- 2304FI(X) 7/9 watt 4 Pin Twin Tube
- 2305FI(X) 13 watt 4 Pin Twin Tube
- 2306FI(X) 18 watt Twin Tube
- 2307FI(X) 26 watt Quad Tube
- 2308FI(X) 24/27 watt Twin Tube
- 2309FI(X) 36/39 watt Twin Tube
- 2310FI(X) 40 watt Twin Tube
- 2311FI(X) 50 watt Twin Tube
- 2312FI(X) 55 watt Twin Tube



32000 Series Flexible & In-Line

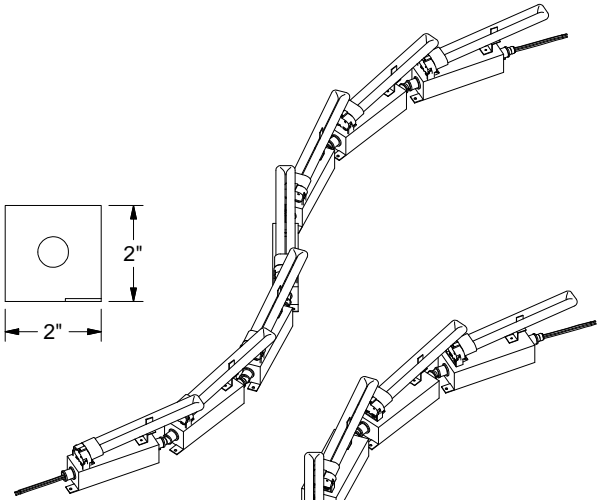
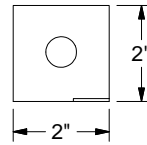
- 3204FI(X) 7/9 watt 4 Pin Twin Tube
- 3205FI(X) 13 watt 4 Pin Twin Tube
- 3206FI(X) 18 watt Twin Tube
- 3207FI(X) 26 watt Quad Tube
- 3208FI(X) 24/27 watt Twin Tube
- 3209FI(X) 36/39 watt Twin Tube
- 3210FI(X) 40 watt Twin Tube
- 3211FI(X) 50 watt Twin Tube
- 3212FI(X) 55 watt Twin Tube



COVE FO

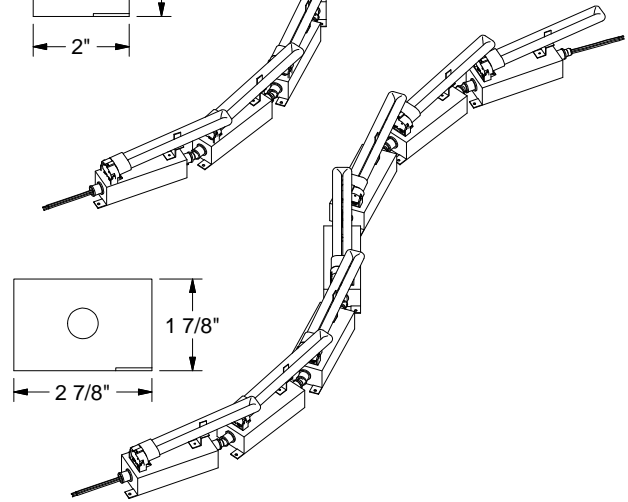
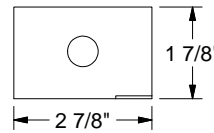
23000 Series Flexible & Overlapping

- 2304FO(X) 7/9 watt 4 Pin Twin Tube
- 2305FO(X) 13 watt 4 Pin Twin Tube
- 2306FO(X) 18 watt Twin Tube
- 2308FO(X) 24/27 watt Twin Tube
- 2309FO(X) 36/39 watt Twin Tube
- 2310FO(X) 40 watt Twin Tube
- 2311FO(X) 50 watt Twin Tube
- 2312FO(X) 55 watt Twin Tube



32000 Series Flexible & Overlapping

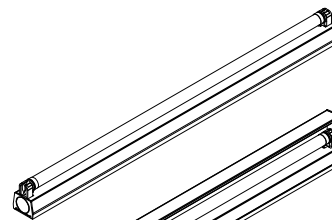
- 3204FO(X) 7/9 watt 4 Pin Twin Tube
- 3205FO(X) 13 watt 4 Pin Twin Tube
- 3206FO(X) 18 watt Twin Tube
- 3208FO(X) 24/27 watt Twin Tube
- 3209FO(X) 36/39 watt Twin Tube
- 3210FO(X) 40 watt Twin Tube
- 3211FO(X) 50 watt Twin Tube
- 3212FO(X) 55 watt Twin Tube



Ambient Fluorescent

28Series Compact Cross Section

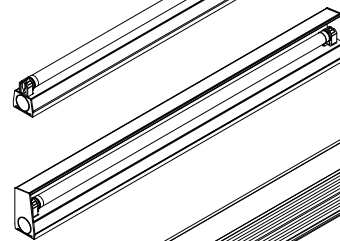
T8, T5, T5HO



28 Series

29Series Compact Cross Section

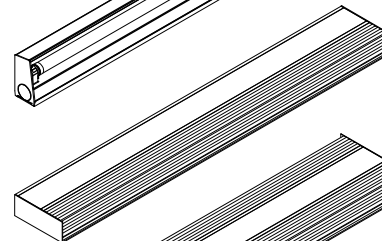
T8, T5, T5HO w/Reflector



29 Series

35 Series Single Side

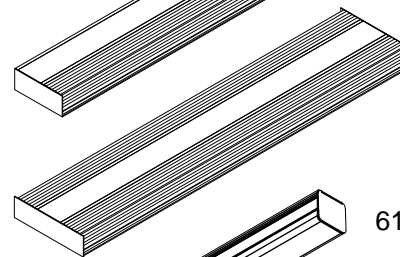
- 35 T5
- 35 T8



35 Series

37 Series Double Side

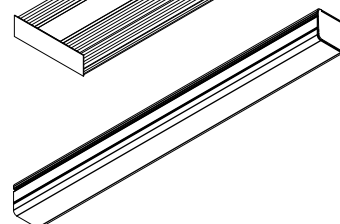
- 37 T5
- 37 T8



37 Series

61 Series

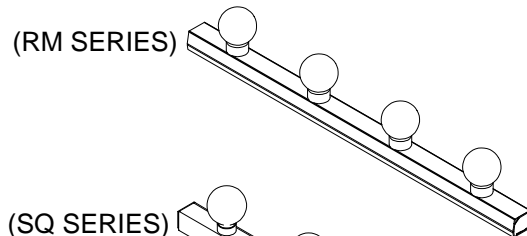
- 61 T5



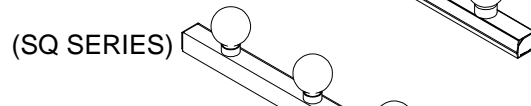
61 Series

Decorative Incandescent

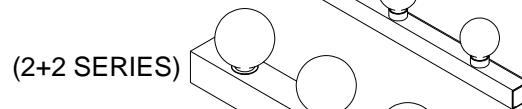
RM Series



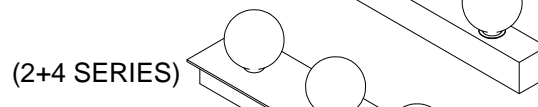
SQ Series



2+2 Series



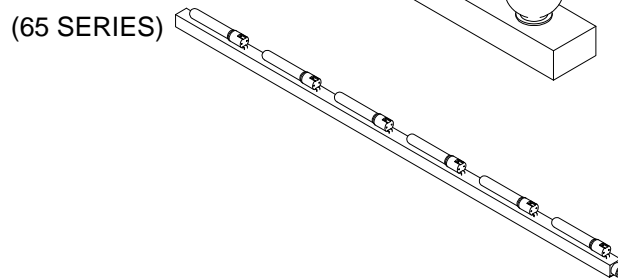
2+4 Series



SL-C Series



65 SERIES

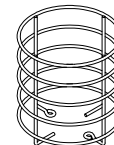
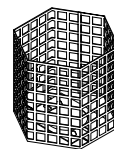
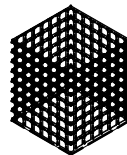


MRI Fixtures

- 65 Series
- 65MRIF
- RM Series
- 2+2 Series

Lamp Guards

- Hex shaped
- Round shaped
- Square shaped

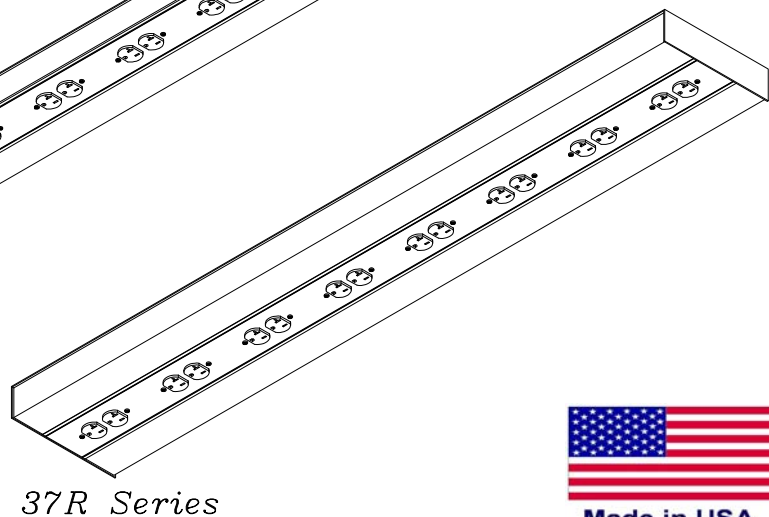
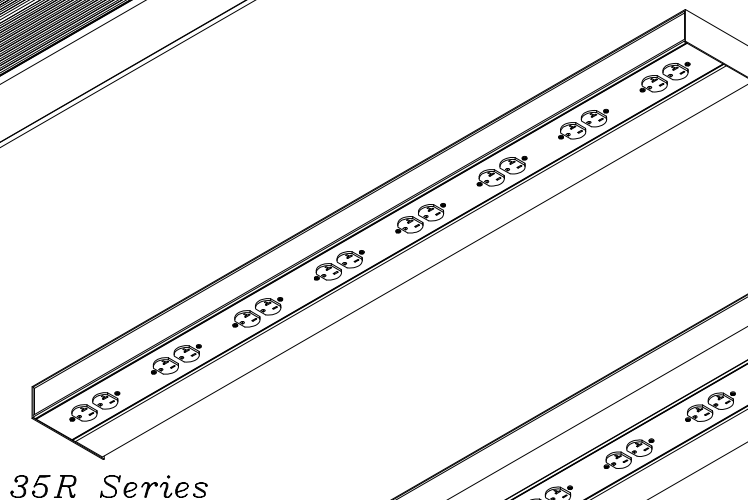
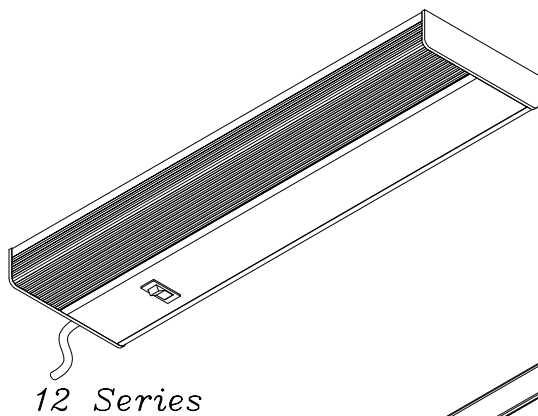


Custom Engineered

See the Custom Engineered section for a small variety of custom projects that we have had the opportunity to work on. These samples vary from modified standard product to completely custom projects.

UNDER CABINET LIGHTING SECTION 1

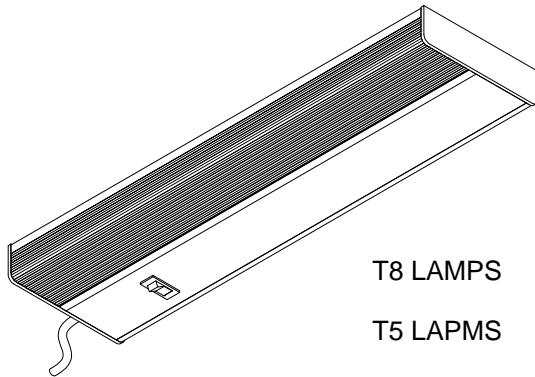
An ideal and unobtrusive task light, Airey-Thompson's Under Cabinet light is offered in a variety of standard finishes, with custom finishes optional. Engineered with electronic ballast, and clear or co-molded with a semi-opaque front. This low profile light source can be specified with a rocker switch, convenience outlet, and straight cord with plug.



A variety of under cabinet lighting systems available to meet your needs, Airey-Thompson offers lightweight, robust aluminum construction in standard and custom lengths. The ideal solution for lighting work surfaces. These fixtures have proven their quality and effectiveness in hospitals, laboratories, schools, offices, retail spaces, modular furniture and more.



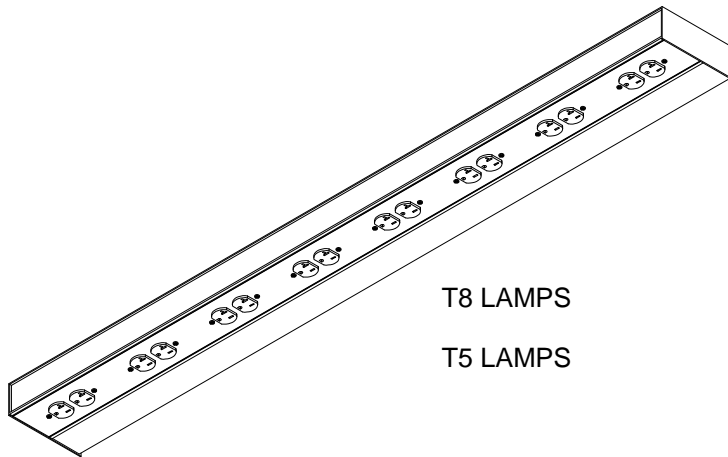
UNDER CABINET LIGHTING SECTION 1



12 Series

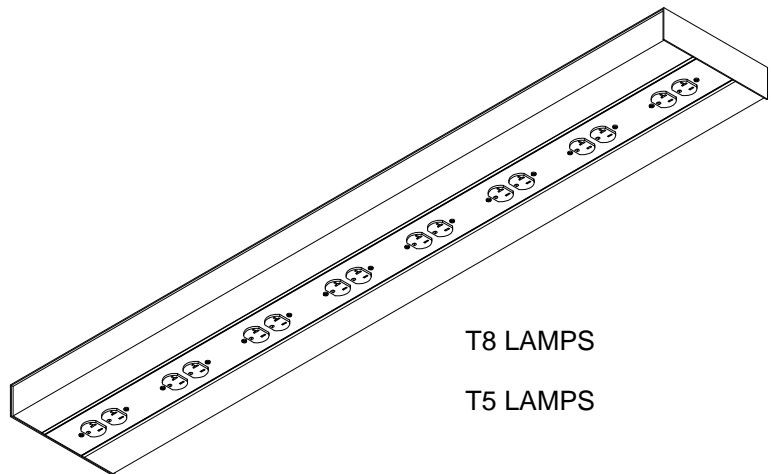
- T8 LAMPS
- T5 LAMPMS
- T5HO LAMPS
- 13 WATT COMPACT FLUORESCENT

**BACK TO TABLE
OF CONTENTS**



35R Series

- T8 LAMPS
- T5 LAMPS

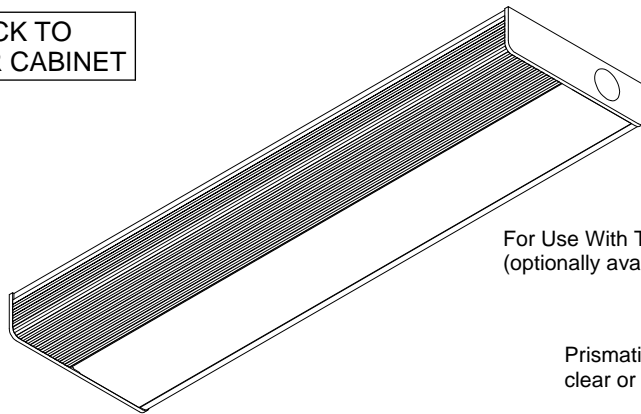


37R Series

- T8 LAMPS
- T5 LAMPS

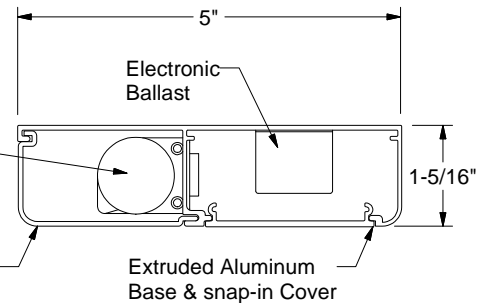
BACK TO
UNDER CABINET

Type: _____



For Use With T8 Lamp
(optionally available)

Prismatic lens either
clear or co-molded



SPECIFICATIONS



- White powder coat or satin anodized aluminum finish is standard.
- Custom finishes available upon request.
- Extruded 6063T-5 aluminum base and cover with .060 nominal wall thickness.
- High impact prismatic, die formed, acrylic lenses are available in clear or co-molded.
- Co-molded lens have a semi-opaque front for high visual comfort.
- Electronic, high power factor, instant start, 120 volt ballast is standard.
- Low 1-5/16" profile allows placement in shallow locations.
- Die formed .125" end caps with no visible fasteners.
- Luminaires are provided in hardwired configuration by default (including through wires), but are available with cords.
- Hardwired fixtures are shipped with feed end caps. For continuous row mounting, simply remove end caps where luminaires meet, and use the internal coupler (provided) to make a seamless link.
- All units are UL & CUL LISTED damp locations
- The factory will be happy to discuss all of your special requests.
- Available for use with a wide variety of T8 lamp types.

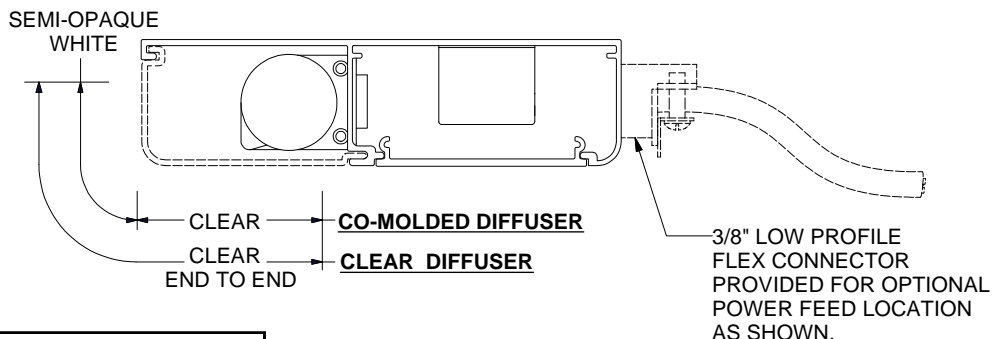
See lamp chart for selection and lengths.

* If ordered with lamps, 4100k color temp. is standard, other lamp colors may be available.

Product Series	Quantity of inline T8 lamps	Lamp Code	Lens Type	Finish	Standard Options Suffix Part # as required in the sequence below .
----------------	-----------------------------	-----------	-----------	--------	---

12	1	14T8	0	0	
----	---	------	---	---	--

12	See lamp chart for luminaire lengths. 1 or 2 lamps are standard.	14T8	0= Prismatic Clear	0= Satin	- WC (6') White 3-wire cord & plug (18ga SVT) - GC (6') Gray 3-wire cord & plug (18ga SVT) -SW Factory wired rocker switch -F Factory wired fuse (3A) -GCO Factory wired Grounded Convenience Outlet (15A) -277 277 Volt Electronic Ballast -41K Lamps Included
		15T8	1= Co-Molded	3= White	
		17T8			
		25T8			
		32T8			

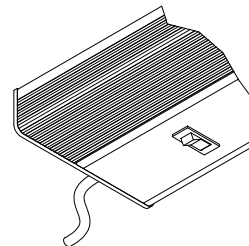
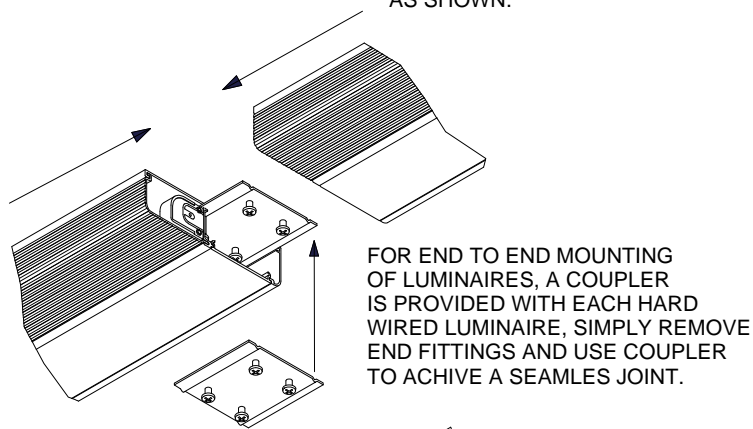


**12 Series T8
Luminaire Length Chart**

Lamp Quantity	Lamp Type	Luminaire Length (Includes end caps)
---------------	-----------	--------------------------------------

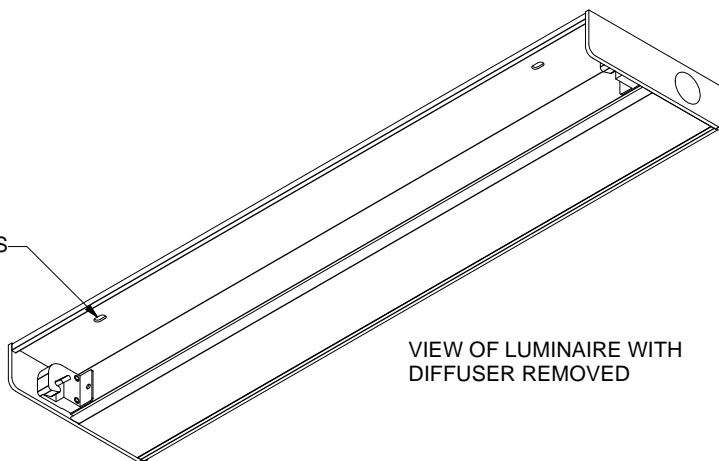
1	F14T8	15-3/8"
	F15T8	18-3/8"
	F17T8	24-3/8"
	F25T8	36-3/8"
	F32T8	48-3/8"

2	F14T8	30-3/8"
	F15T8	36-3/8"
	F17T8	48-3/8"
	F25T8	72-3/8"
	F32T8	96-3/8"



LUMINAIRES ORDERED WITH A SWITCH AND CORD ARE EQUIPPED WITH A ROCKER SWITCH AND A 3 WIRE CORD WITH A GROUNDING PLUG

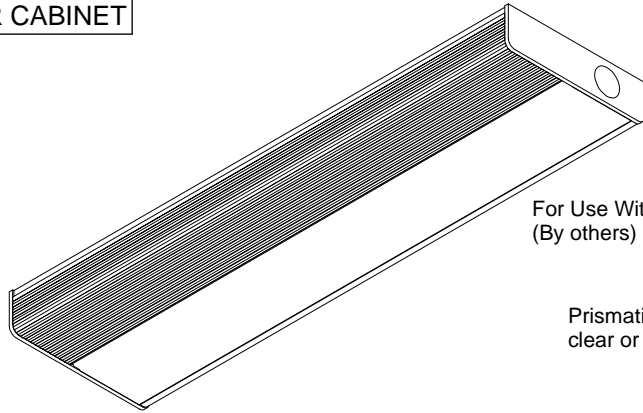
(2) OBOUNDED MOUNTING HOLES
.187 WIDE X .375 OAL
TYP. 1-1/2" FROM EA. END
OF FIXTURE.



VIEW OF LUMINAIRE WITH
DIFFUSER REMOVED

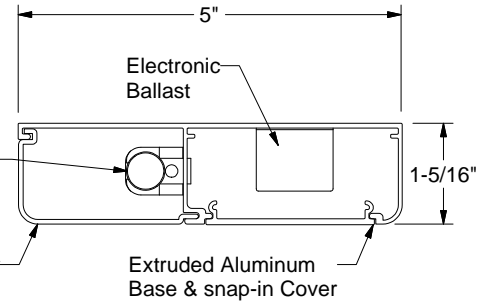
BACK TO
UNDER CABINET

Type: _____



For Use With T5 Lamp
(By others)

Prismatic lens either
clear or co-molded

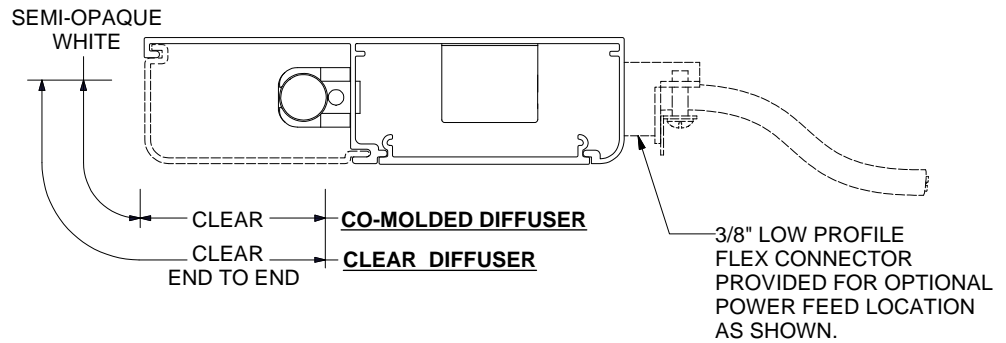


SPECIFICATIONS



- White powder coat or satin anodized aluminum finish is standard.
- Custom finishes available upon request.
- Extruded 6063T-5 aluminum base and cover with .060 nominal wall thickness.
- High impact prismatic, die formed, acrylic lenses are available in clear or co-molded.
- Co-molded lens have a semi-opaque front for high visual comfort.
- Electronic, high power factor, instant start, 120 volt ballast is standard.
- Low 1-5/16" profile allows placement in shallow locations.
- Die formed .125" end caps with no visible fasteners.
- Luminaires are provided in hardwired configuration by default (including through wires), but are available with cords.
- Hardwired fixtures are shipped with feed end caps. For continuous row mounting, simply remove end caps where luminaires meet, and use the internal coupler provided to make a seamless link.
- All units are UL & CUL LISTED damp locations
- Available for use with a wide variety of T5 lamp types.
See lamp chart for selection and lengths.
- The factory will be happy to discuss all of your special requests.

How to build a Part Number	Product Series	Quantity of inline T5 lamps	Lamp Code	Lens Type	Finish	Standard Options Suffix Part # as required in the sequence below .
Part Number Format	12	1	6T5	0	0	
Choices	12	See lamp chart for luminaire lengths. 1 or 2 lamps are standard.	6T5 8T5 13T5 14T5 21T5 28T5 35T5	0= Prismatic Clear 1= Co-Molded	0= Satin 3= White	WC (6') White 3-wire cord & plug (18ga SVT) GC (6') Gray 3-wire cord & plug (18ga SVT) SW Factory wired rocker sw itch F Factory wired fuse (3A) GCO Factory w ired Grounded Convenience Outlet (15A) 277 277 Volt Electronic Ballast

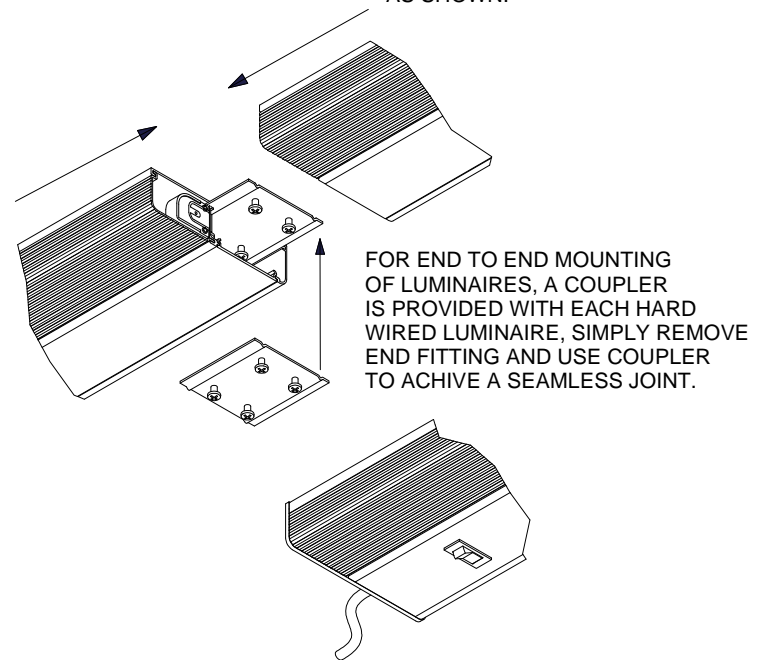


**12 Series T5
Luminaire Length Chart**

Lamp Quantity	Lamp Type	Luminaire Length (Includes end caps)
---------------	-----------	--------------------------------------

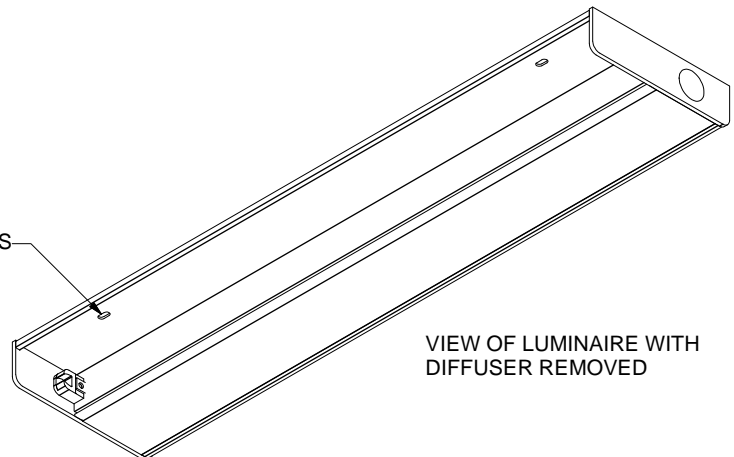
1	F6T5	9-3/8"
	F8T5	12-3/8"
	F13T5	21-3/8"
	F14T5	22-5/8"
	F21T5	34-7/16"
	F28T5	46-1/4"
	F35T5	58-1/8"

2	F6T5	18-1/2"
	F8T5	24-1/2"
	F13T5	42-1/2"
	F14T5	45"
	F21T5	68-5/8"
	F28T5	92-1/4"
F35T5	116"	



LUMINAIRES ORDERED WITH A SWITCH AND CORD ARE EQUIPPED WITH A ROCKER SWITCH AND A 3 WIRE CORD WITH GROUNDING PLUG.

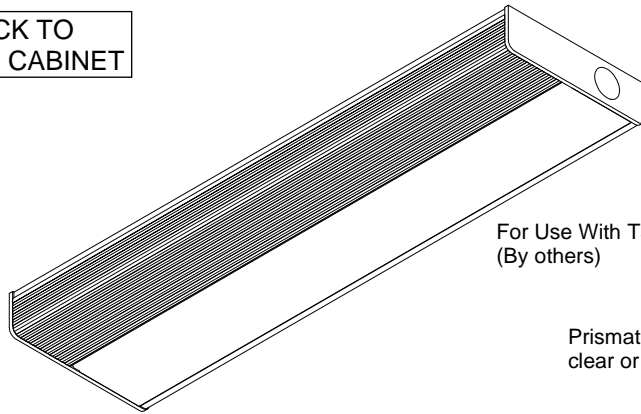
(2) OBOUNDED MOUNTING HOLES
.187 WIDE X .375 OAL
TYP. 1-1/2" FROM EA. END
OF FIXTURE.



VIEW OF LUMINAIRE WITH
DIFFUSER REMOVED



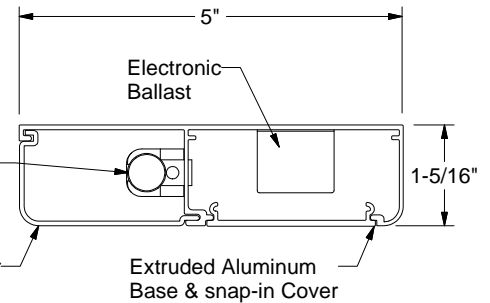
BACK TO
UNDER CABINET



For Use With T5 HO Lamp
(By others)

Prismatic lens either
clear or co-molded

Type: _____



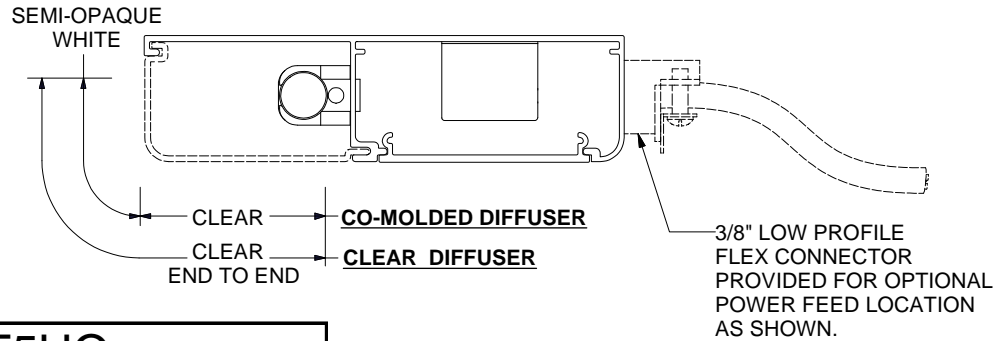
SPECIFICATIONS



- White powder coat or satin anodized aluminum finish is standard.
- Custom finishes available upon request.
- Extruded 6063T-5 aluminum base and cover with .060 nominal wall thickness.
- High impact prismatic, die formed, acrylic lenses are available in clear or co-molded.
- Co-molded lens have a semi-opaque front for high visual comfort.
- Electronic, high power factor, instant start, 120 volt ballast is standard.
- Low 1-5/16" profile allows placement in shallow locations.
- Die formed .125" end caps with no visible fasteners.
- Luminaires are provided in hardwired configuration by default (including through wires), but are available with cords.
- Hardwired fixtures are shipped with feed end caps. For continuous row mounting, simply remove end caps where luminaires meet, and use the internal coupler (provided) to make a seamless link.
- All units are UL & CUL LISTED damp locations.
- Available for use with a wide variety of T5-HO lamp types.
See lamp chart for selection and lengths.
- The factory will be happy to discuss all of your special requests.

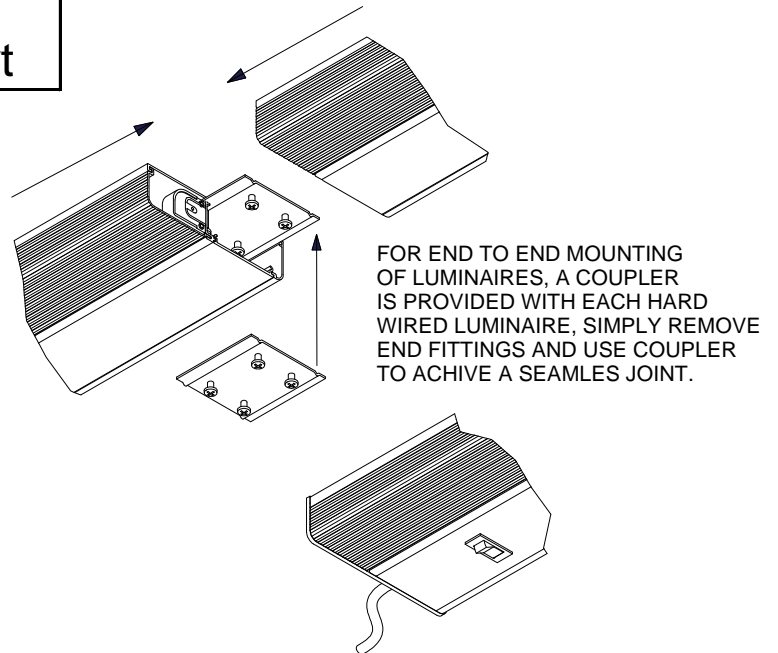
NOTE: T5HO Lamps are extremely bright. Recommended only for installations where glare is not considered a potential issue.

How to build a Part Number	Product Series	Quantity of inline T5HO lamps	Lamp Code	Lens Type	Finish	Standard Options Suffix Part # as required in the sequence below .
Part Number Format	12	1	24T5HO	0	0	
Choices	12	See lamp chart for luminaire lengths. 1 or 2 lamps are standard.	24T5HO 39T5HO 54T5HO	0= Prismatic Clear 1= Co-Molded	0= Satin 3= White	WC (6') White 3-w ire cord & plug (18ga SVT) GC (6') Gray 3-w ire cord & plug (18ga SVT) SW Factory w ired rocker sw itch F Factory w ired fuse (3A) GCO Factory w ired Grounded Convenience Outlet (15A) 277 277 Volt Electronic Ballast



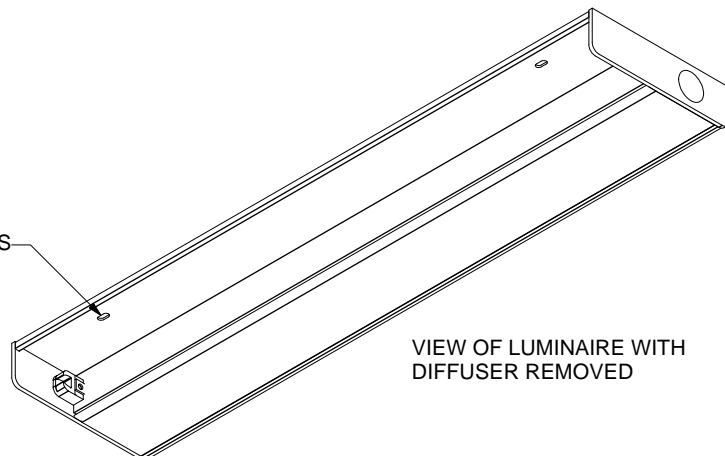
12 Series T5HO Luminaire Length Chart

Lamp Quantity	Lamp Type	Luminaire Length (Includes end caps)
1	F24T5HO	22-5/8"
	F39T5HO	34-7/16"
	F54T5HO	46-1/4"
2	F24T5HO	45"
	F39T5HO	68-5/8"
	F54T5HO	92-1/4"



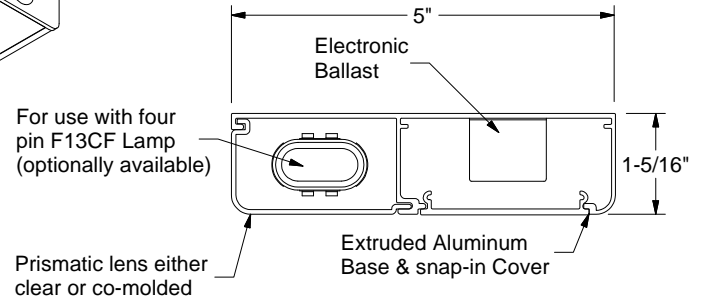
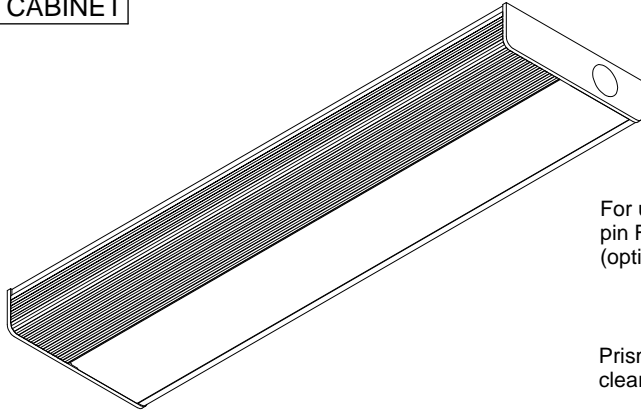
LUMINAIRES ORDERED WITH A SWITCH AND CORD ARE EQUIPPED WITH A ROCKER SWITCH AND A 3 WIRE CORD WITH A GROUNDING PLUG

(2) OBOUNDRY MOUNTING HOLES
.187 WIDE X .375 OAL
TYP. 1-1/2" FROM EA. END
OF FIXTURE.



BACK TO
UNDER CABINET

Type: _____



SPECIFICATIONS

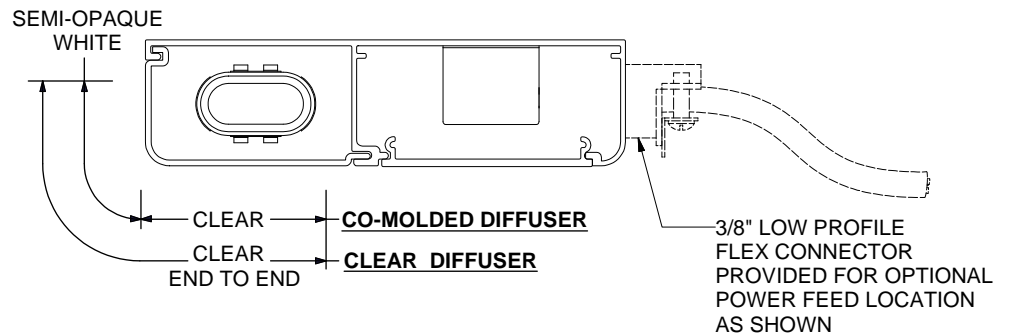


- White powder coat or satin anodized aluminum finish is standard.
- Custom finishes available upon request.
- Extruded 6063T-5 aluminum base and cover with .060 nominal wall thickness.
- High impact prismatic, die formed, acrylic lenses are available in clear or co-molded.
- Co-molded lens have a semi-opaque front for high visual comfort.
- Electronic, high power factor, instant start, 120 volt ballast is standard.
- Low 1-5/16" profile allows placement in shallow locations.
- Die formed .125" end caps with no visible fasteners.
- Luminaires are provided in hardwired configuration by default (including through wires), but are available with cords.
- Hardwired fixtures are shipped with feed end caps. For continuous row mounting, simply remove end caps where luminaires meet, and use the internal coupler (provided) to make a seamless link.
- All units are UL & CUL LISTED damp locations.
- The factory will be happy to discuss all of your special requests.
- For use with 13watt four pin 2GX7 base lamps.

See lamp chart for luminaire lengths.

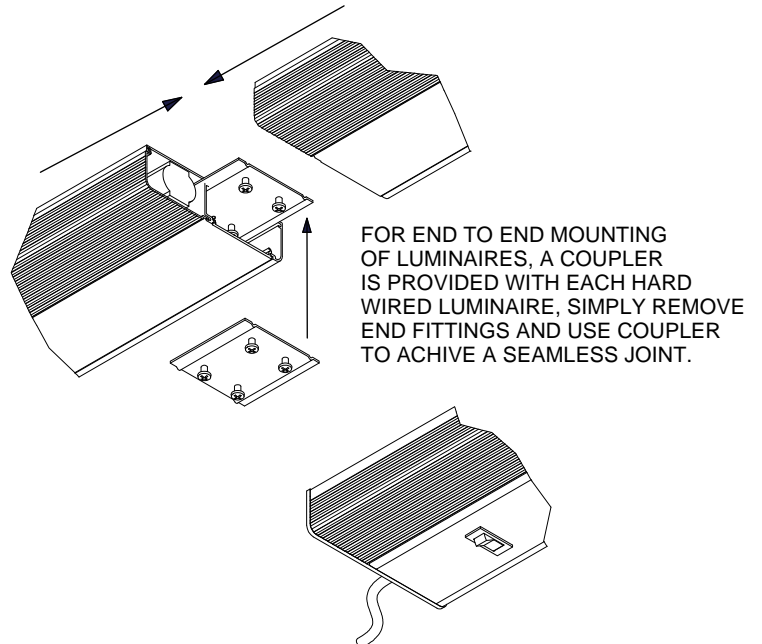
* If ordered with lamps, 3500k color temp. is standard, other lamp colors may be available.

How to build a Part Number	Product Series	Quantity of CFT13W/2GX7 lamps	Lamp Code	Lens Type	Finish	Standard Options Suffix Part # as required in the sequence below .
Part Number Format	12	1	CFT13W/2GX7	0	0	
Choices	12	See lamp chart for luminaire lengths. 1, 2 or 3 lamps are standard.	CFT13W/2GX7	0= Prismatic Clear 1= Co-Molded	0= Satin 3= White	-WC (6') White 3-w ire cord & plug (18ga SVT) -GC (6') Gray 3-w ire cord & plug (18ga SVT) -SW Factory w ired rocker sw itch -F Factory w ired fuse (3A) -GCO Factory w ired Grounded Convenience Outlet (15A) -35K Lamps included



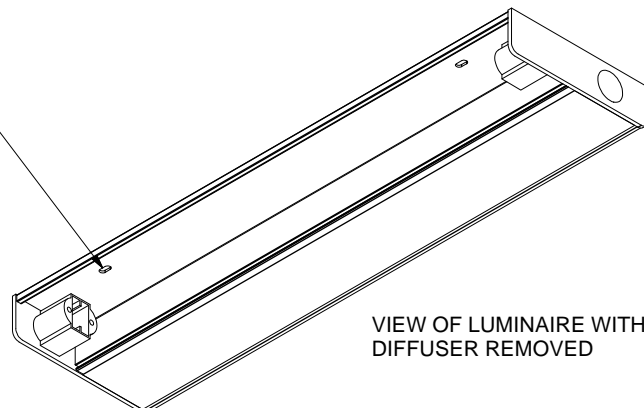
**12 Series CFT13W/GX23
Luminaire Length Chart**

Lamp Quantity	Lamp Type	Luminaire Length (Includes end caps)
1	CFT13W/2GX7	9-1/4"
2	CFT13W/2GX7	18-1/4"
3	CFT13W/2GX7	27-1/4"



LUMINAIRES ORDERED WITH A SWITCH AND CORD ARE EQUIPPED WITH A ROCKER SWITCH AND A 3 WIRE CORD WITH A GROUNDING PLUG

(2) OBOUNDR MOUNTING HOLES
.187 WIDE X .375 OAL TYP.
2-1/2" FROM EA. END OF FIXTURE



VIEW OF LUMINAIRE WITH
DIFFUSER REMOVED

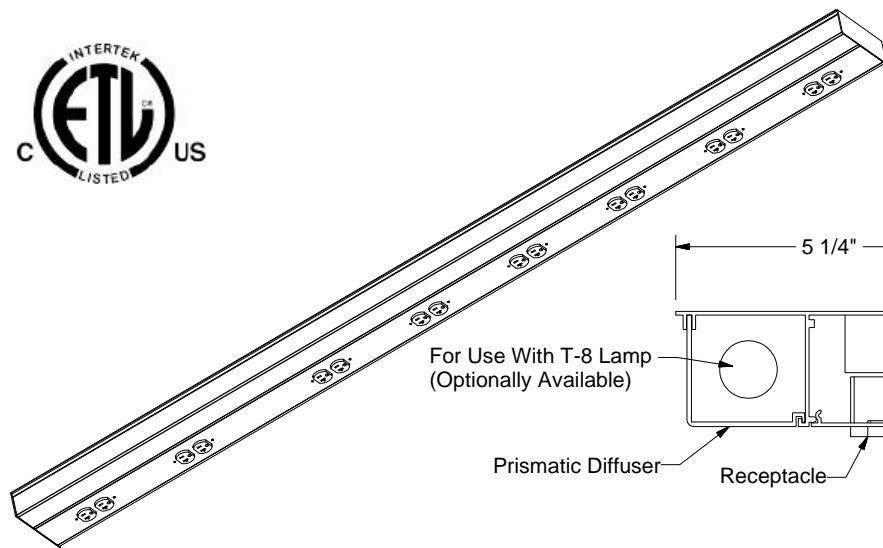


AIREY-THOMPSON™
Manufacturing Quality Luminaires

35R SERIES

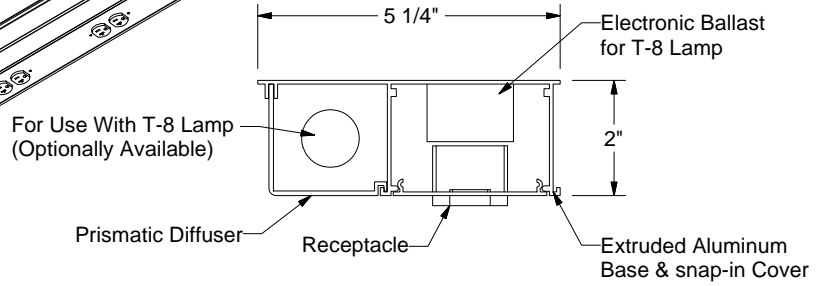
SINGLE SIDED UNDER SHELF LUMINAIRE
LINEAR T-8 LAMPS

UNDER SHELF LUMINAIRE WITH DUPLEX RECEPTACLES



Type: _____

BACK TO UNDER CABINET



SPECIFICATIONS

- Standard receptacle layouts shown in chart below, custom layouts available upon request.
- Standard or custom wiring patterns available, including switching.
- Standard lengths are 2', 3', 4', 6' & 8'. Custom lengths also available.
- Extruded 6063T-5 aluminum base and cover with .060 nominal wall thickness.
- Satin anodized aluminum finish is standard, custom finishes available upon request.
- Clear prismatic polycarbonate diffusers standard, Co-Molded diffuser available.
- Standard receptacle - Specification Grade NEMA 5-20R grey duplex.
- Custom receptacle options available upon request.
- Optional 'Panel & Circuit' identification at each receptacle available.
- All units are provided with (1) coupling for continuous runs, and (2) removeable ends.
- All units are ETL LISTED.
- Electronic, high power factor, instant start, 120 volt ballast is standard.

* If ordered with lamps, 4100k color temp. is standard, other lamp colors may be available.

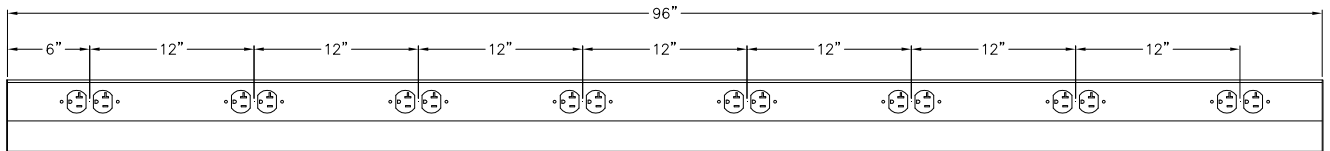
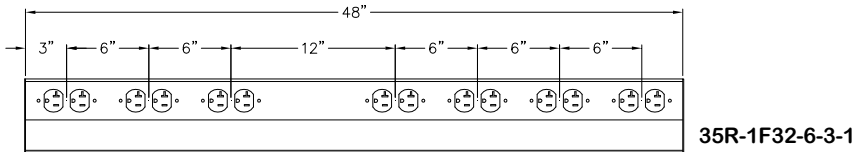
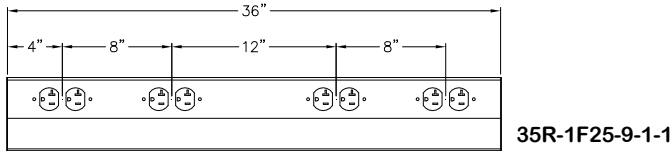
How to build a Part Number	Product Series	Quantity and Type, of T8 lamps	Nominal Receptacle spacing in inches	Number of Circuits	Diffuser
----------------------------	----------------	--------------------------------	--------------------------------------	--------------------	----------

Part Number Format	35R-	1F32T8	9	3	1
--------------------	------	--------	---	---	---

Standard Choices	Product Series	Quantity and Type, of T8 lamps	Nominal Receptacle spacing in inches	Number of Circuits	Diffuser
OAL Notes: (add 1/16" per end Cap) 1F17 = 24" 1F25 = 36", 2F25 = 72" 1F32 = 48", 2F32 = 96"	35R-	1F17T8	6, 9 OR 12 (Each cover to have one 12" blank spot for ballast clearance)	1 = Single Circuit	1 = Clear
		1F25T8		2 = Double, Alternating	2 = Co-Molded
		1F32T8		3 = Three phase, Alternating	
		2F25T8		(see Wiring Patterns blocks)	
		2F32T8			



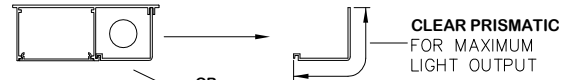
SAMPLES OF STANDARD RECEPTACLE LAYOUTS



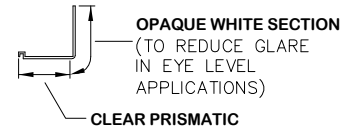
35R-2F32-12-1-2

AVAILABLE DIFFUSERS

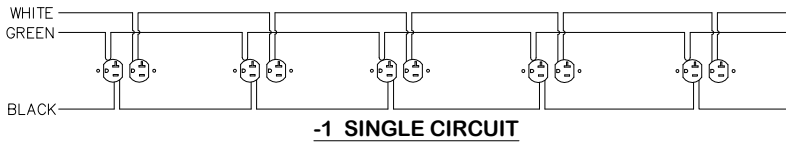
STANDARD DIFFUSER



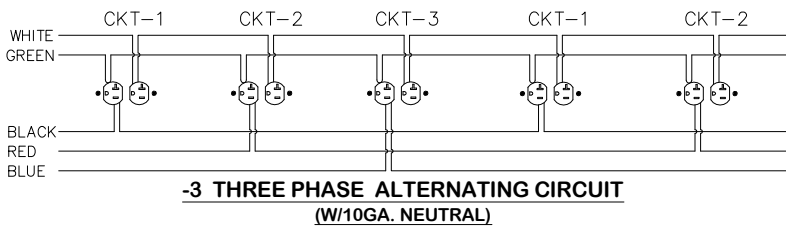
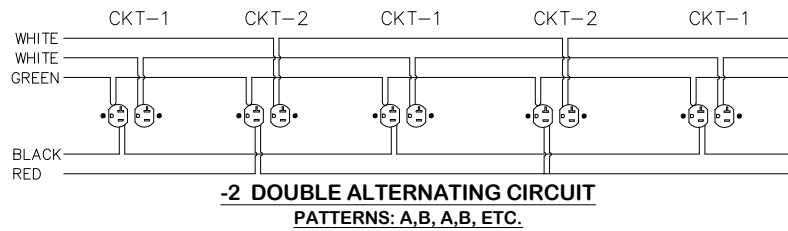
OPTIONAL CO-MOLDED DIFFUSER



STANDARD WIRING PATTERNS



MATCHING HOT & NEUTRAL LEADS TAGGED AT EACH END



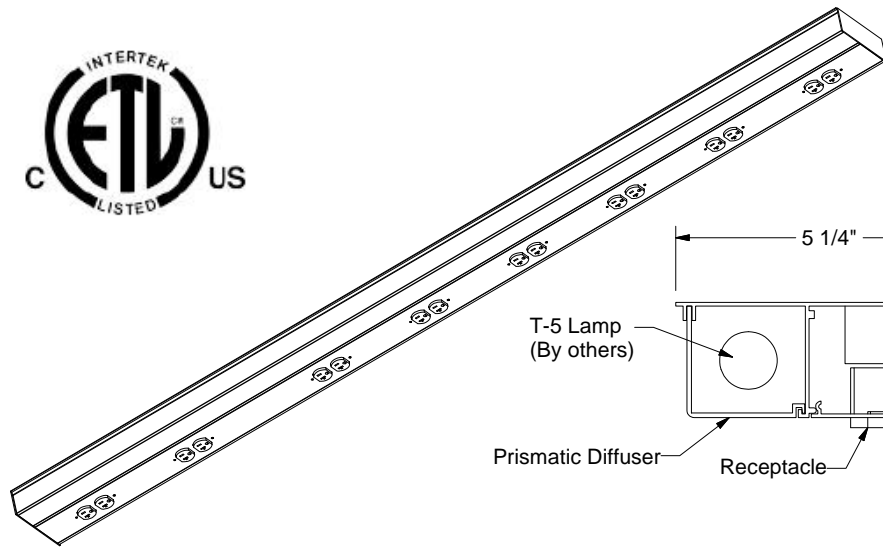
NOTE: IT IS RECOMENDED THAT ALL UNITS CONNECTED TOGETHER SHARE A COMMON WIRING PATTERN. THROUGH WIRES FOR THE LIGHTING BALLAST IS 12 GA. THHN. STANDARD RECEPTACLE CIRCUIT WIRING IS 12 GA. THHN UNLESS OTHERWISE NOTED.



AIREY-THOMPSON™
Manufacturing Quality Luminaires

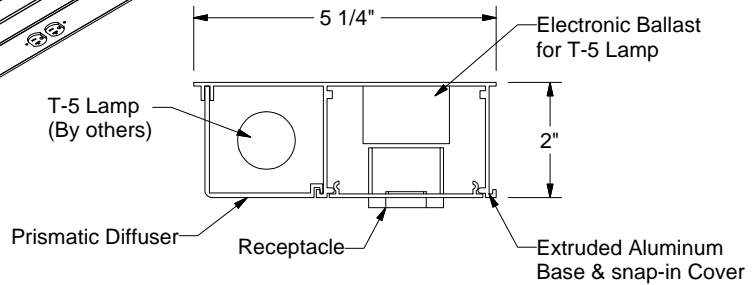
35R SERIES

SINGLE SIDED UNDER SHELF LUMINAIRE
LINEAR T-5 LAMPS
UNDER SHELF LUMINAIRE WITH DUPLEX RECEPTACLES



Type: _____

BACK TO
UNDER CABINET



SPECIFICATIONS

- Standard receptacle layouts shown in chart below, custom layouts available upon request.
- Standard or custom wiring patterns available, including switching.
- Standard lengths are listed below. Custom lengths also available.
- Extruded 6063T-5 aluminum base and cover with .060 nominal wall thickness.
- Satin anodized aluminum finish is standard, custom finishes available upon request.
- Clear prismatic polycarbonate diffusers standard, Co-Molded diffuser available.
- Standard receptacle - Specification Grade NEMA 5-20R grey duplex.
- Custom receptacle options available upon request.
- Optional 'Panel & Circuit' identification at each receptacle available.
- All units are provided with (1) coupling for continuous runs, and (2) removeable ends.
- All units are ETL LISTED.
- Electronic, high power factor, instant start, 120 volt ballast is standard.

How to build a Part Number	Product Series	Quantity and Type, of T-5 lamps	Nominal Receptacle spacing in inches	Number of Circuits	Diffuser
----------------------------	----------------	---------------------------------	--------------------------------------	--------------------	----------

Part Number Format	35R-	1F28T5	9	3	1
--------------------	------	--------	---	---	---

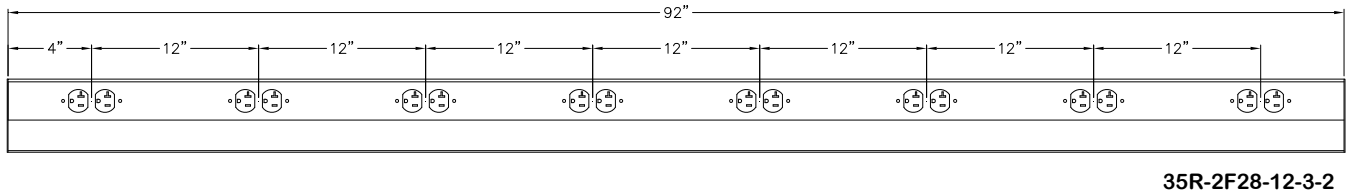
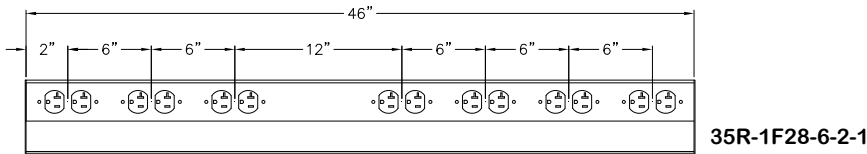
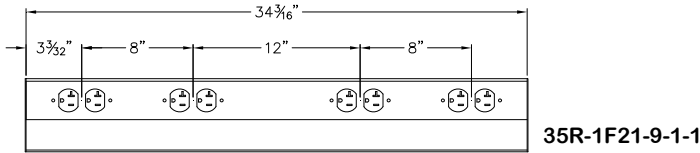
Standard Choices

OAL Notes:
(Add 1/16" per end Cap)
1F14 = 22 3/8", 2F14 = 44 3/4"
1F21 = 34 3/16", 2F21 = 68 3/8"
1F28 = 46", 2F28 = 92"

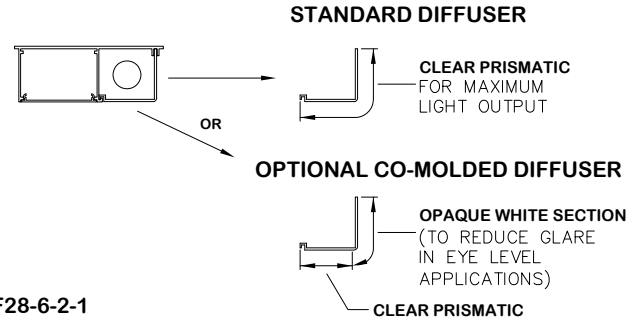
35R-	1F14T5 1F21T5 1F28T5 2F14T5 2F21T5 2F28T5	6, 9 OR 12 (Each cover to have one 12" blank spot for ballast clearance)	1 = Single Circuit 2 = Double, Alternating 3 = Three phase, Alternating (see Wiring Patterns blocks)	1 = Clear 2 = Co-Molded
------	--	---	---	----------------------------



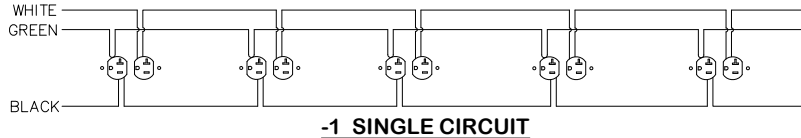
SAMPLES OF STANDARD RECEPTACLE LAYOUTS



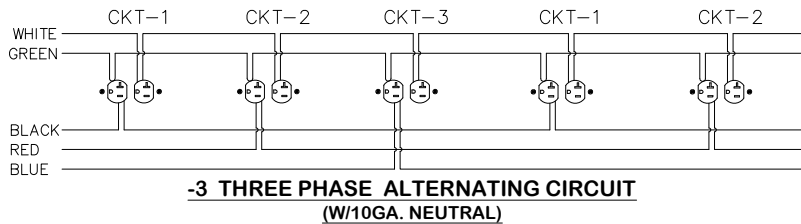
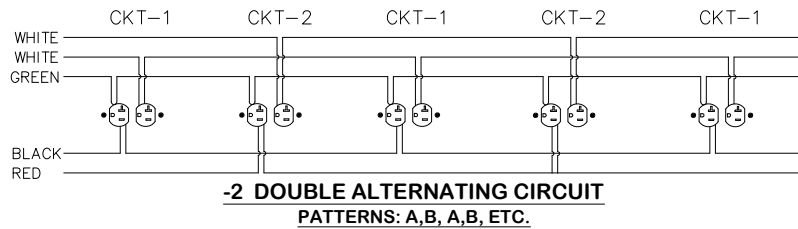
AVAILABLE DIFFUSERS



STANDARD WIRING PATTERNS



MATCHING HOT & NEUTRAL LEADS TAGGED AT EACH END



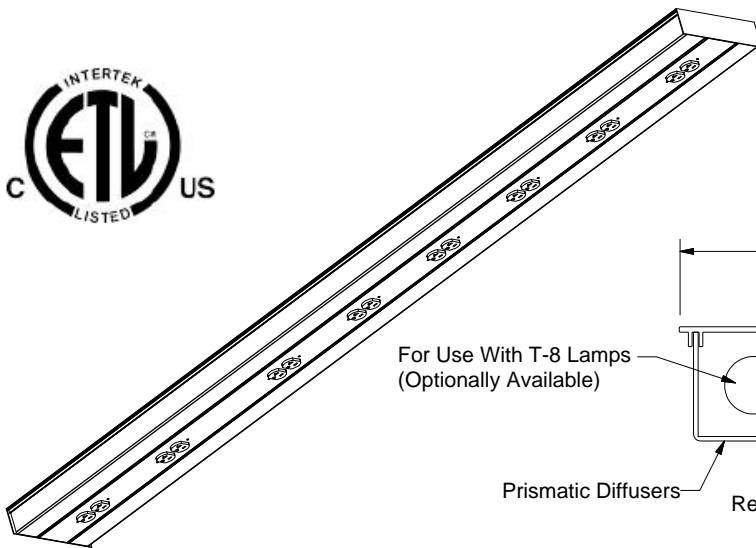
NOTE: IT IS RECOMENDED THAT ALL UNITS CONNECTED TOGETHER SHARE A COMMON WIRING PATTERN.
THROUGH WIRES FOR THE LIGHTING BALLAST IS 12 GA. THHN.
STANDARD RECEPTACLE CIRCUIT WIRING IS 12 GA. THHN UNLESS OTHERWISE NOTED.



AIREY-THOMPSON™
Manufacturing Quality Luminaires

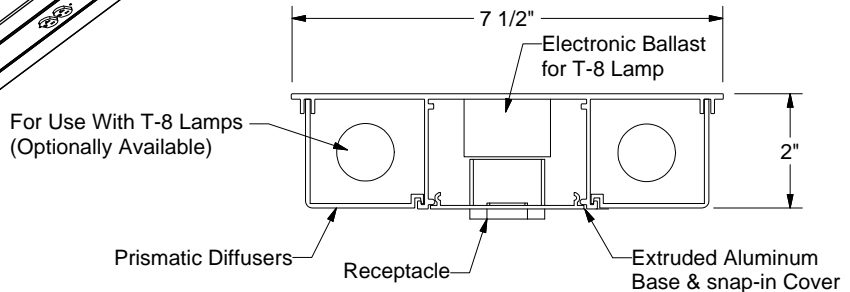
37R SERIES

DOUBLE SIDED UNDER SHELF LUMINAIRE
LINEAR T-8 LAMPS
UNDER SHELF LUMINAIRE WITH DUPLEX RECEPTACLES



Type: _____

BACK TO
UNDER CABINET



SPECIFICATIONS

- Standard receptacle layouts shown in chart below, custom layouts available upon request.
- Standard or custom wiring patterns available, including switching.
- Standard lengths are 2', 3', 4', 6' & 8'. Custom lengths also available.
- Extruded 6063T-5 aluminum base and cover with .060 nominal wall thickness.
- Satin anodized aluminum finish is standard, custom finishes available upon request.
- Clear prismatic polycarbonate diffusers standard, Co-Molded diffuser available.
- Standard receptacle - Specification Grade NEMA 5-20R grey duplex.
- Custom receptacle options available upon request.
- Optional 'Panel & Circuit' identification at each receptacle available.
- All units are provided with (1) coupling for continuous runs, and (2) removeable ends.
- All units are ETL LISTED.
- Electronic, high power factor, instant start, 120 volt ballast is standard.
- * If ordered with lamps, 4100k color temp. is standard, other lamp colors may be available.

How to build a Part Number	Product Series	Quantity and Type, of T8 lamps	Nominal Receptacle spacing in inches	Number of Circuits	Diffuser
Part Number Format	37R-	2F32T8	9	3	1
Standard Choices	37R-	2F17T8 2F25T8 2F32T8 4F25T8 4F32T8	6, 9 OR 12 (Each cover to have one 12" blank for ballast clearance)	1 = Single Circuit 2 = Double, Alternating 3 = Three phase, Alternating (see Wiring Patterns blocks)	1 = Clear 2 = Co-Molded

OAL Notes:
 2F17 = 24"
 2F25 = 36", 4F25 = 72"
 2F32 = 48", 4F32 = 96"

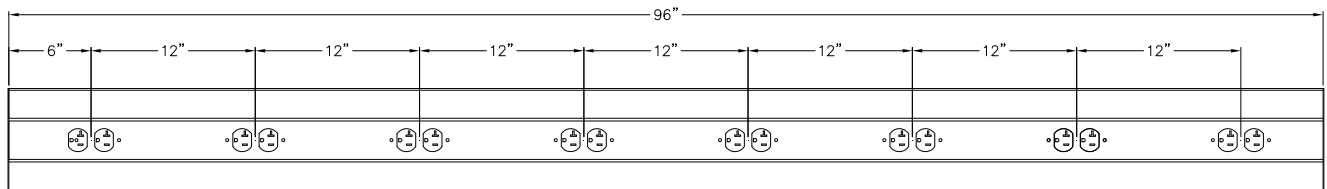
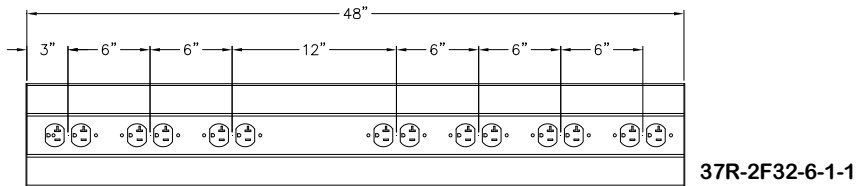
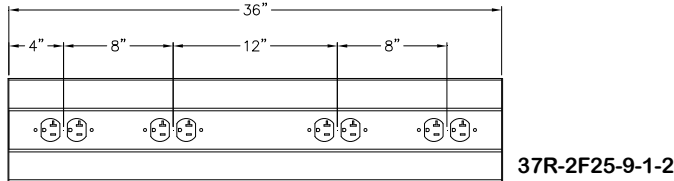


AIREY-THOMPSON™
Manufacturing Quality Luminaires

37R SERIES

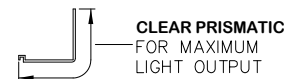
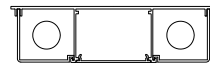
DOUBLE SIDED UNDER SHELF LUMINAIRE
LINEAR T-8 LAMPS
UNDER SHELF LUMINAIRE WITH DUPLEX RECEPTACLE

SAMPLES OF STANDARD RECEPTACLE LAYOUTS



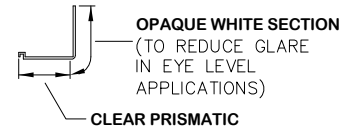
AVAILABLE DIFFUSERS

STANDARD DIFFUSER

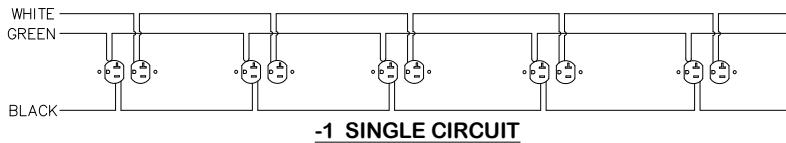


OR

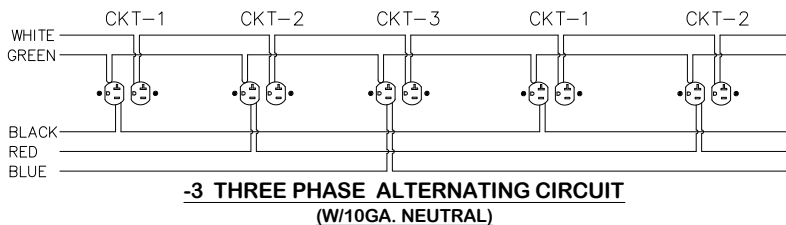
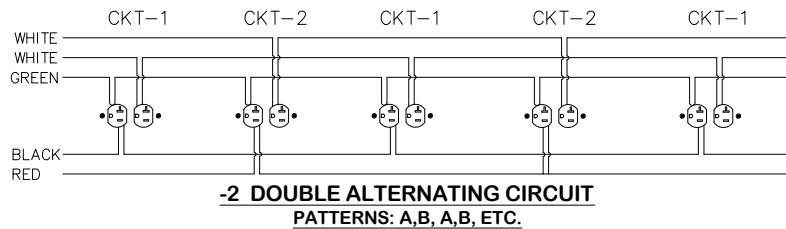
OPTIONAL CO-MOLDED DIFFUSER



STANDARD WIRING PATTERNS



MATCHING HOT & NEUTRAL LEADS TAGGED AT EACH END



**NOTE: IT IS RECOMENDED THAT ALL UNITS CONNECTED TOGETHER
SHARE A COMMON WIRING PATTERN.
THROUGH WIRES FOR THE LIGHTING BALLAST IS 12 GA. THHN.
STANDARD RECEPTACLE CIRCUIT WIRING IS 12 GA. THHN UNLESS OTHERWISE NOTED.**

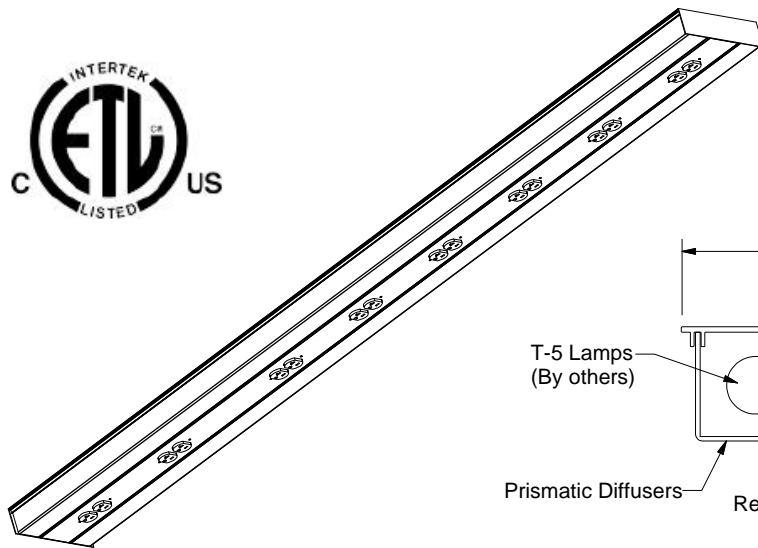


AIREY-THOMPSON™
Manufacturing Quality Luminaires

37R SERIES

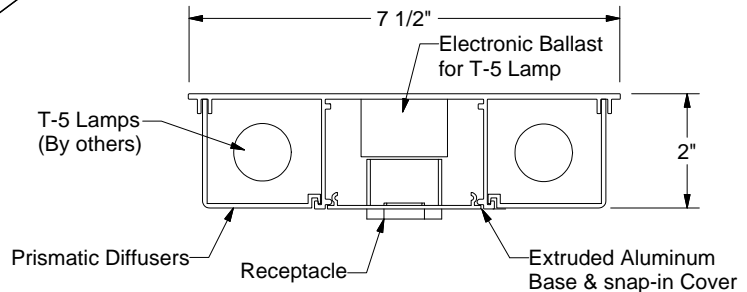
DOUBLE SIDED UNDER SHELF LUMINAIRE
LINEAR T-5 LAMPS

UNDER SHELF LUMINAIRE WITH DUPLEX RECEPTACLES



Type: _____

BACK TO
UNDER CABINET



SPECIFICATIONS

- Standard receptacle layouts shown in chart below, custom layouts available upon request.
- Standard or custom wiring patterns available, including switching.
- Standard lengths are listed below. Custom lengths also available.
- Extruded 6063T-5 aluminum base and cover with .060 nominal wall thickness.
- Satin anodized aluminum finish is standard, custom finishes available upon request.
- Clear prismatic polycarbonate diffusers standard, Co-Molded diffuser available.
- Standard receptacle - Specification Grade NEMA 5-20R grey duplex.
- Custom receptacle options available upon request.
- Optional 'Panel & Circuit' identification at each receptacle available.
- All units are provided with (1) coupling for continuous runs, and (2) removeable ends.
- All units are ETL LISTED.
- Electronic, high power factor, instant start, 120 volt ballast is standard.

How to build a Part Number	Product Series	Quantity and Type, of T-5 lamps	Nominal Receptacle spacing in inches	Number of Circuits	Diffuser
----------------------------	----------------	---------------------------------	--------------------------------------	--------------------	----------

Part Number Format	37R-	2F28T5	9	3	1
--------------------	------	--------	---	---	---

Standard Choices	37R-	2F14T5	6, 9 OR 12 (Each cover to have one 12" blank spot for ballast clearance)	1 = Single Circuit 2 = Double, Alternating 3 = Three phase, Alternating (see Wiring Patterns blocks)	1 = Clear 2 = Co-Molded
		2F21T5			
		2F28T5			
		4F14T5			
		4F21T5			
		4F28T5			

OAL Notes:
(Add 1/16" per end Cap)
2F14 = 22 3/8", 4F14 = 44 3/4
2F21 = 34 3/16", 4F21 = 68 3/8"
2F28 = 46", 4F28 = 92"

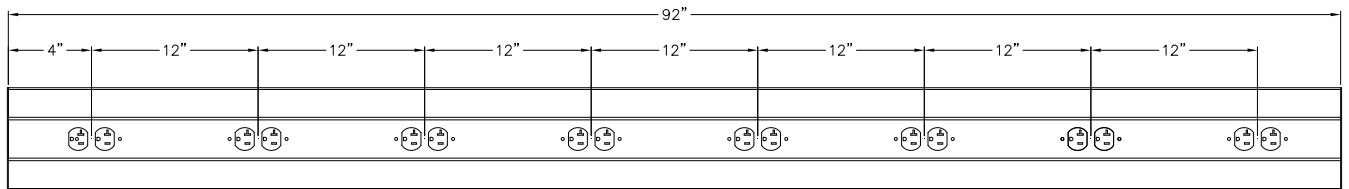
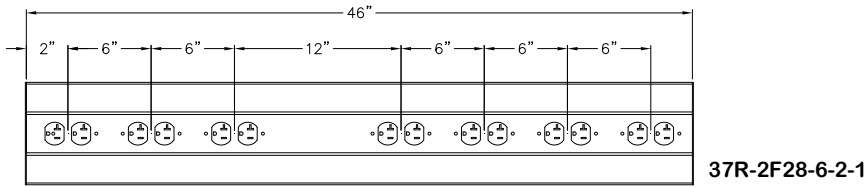
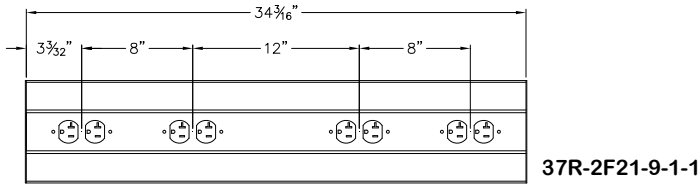


AIREY-THOMPSON™
Manufacturing Quality Luminaires

37R-SERIES

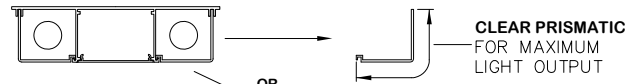
DOUBLE SIDED UNDER SHELF LUMINAIRE
LINEAR T-5 LAMPS
UNDER SHELF LUMINAIRE WITH DUPLEX RECEPTACLES

SAMPLES OF STANDARD RECEPTACLE LAYOUTS

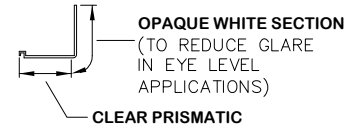


AVAILABLE DIFFUSERS

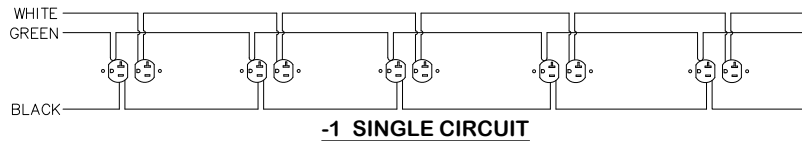
STANDARD DIFFUSER



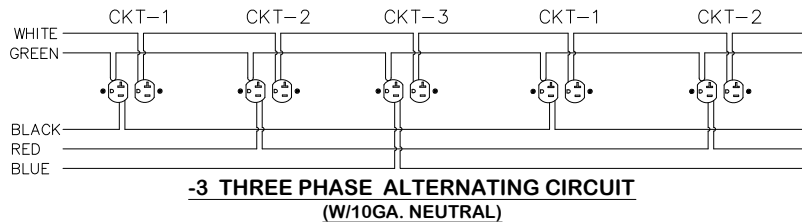
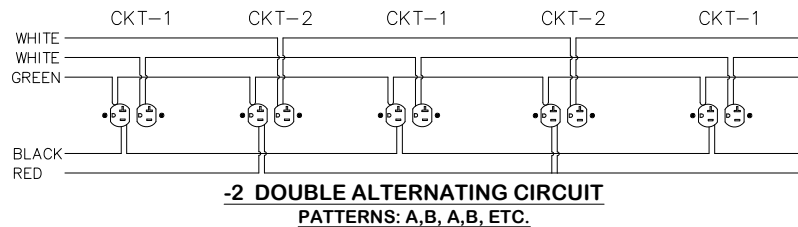
OPTIONAL CO-MOLDED DIFFUSER



STANDARD WIRING PATTERNS



MATCHING HOT & NEUTRAL LEADS TAGGED AT EACH END

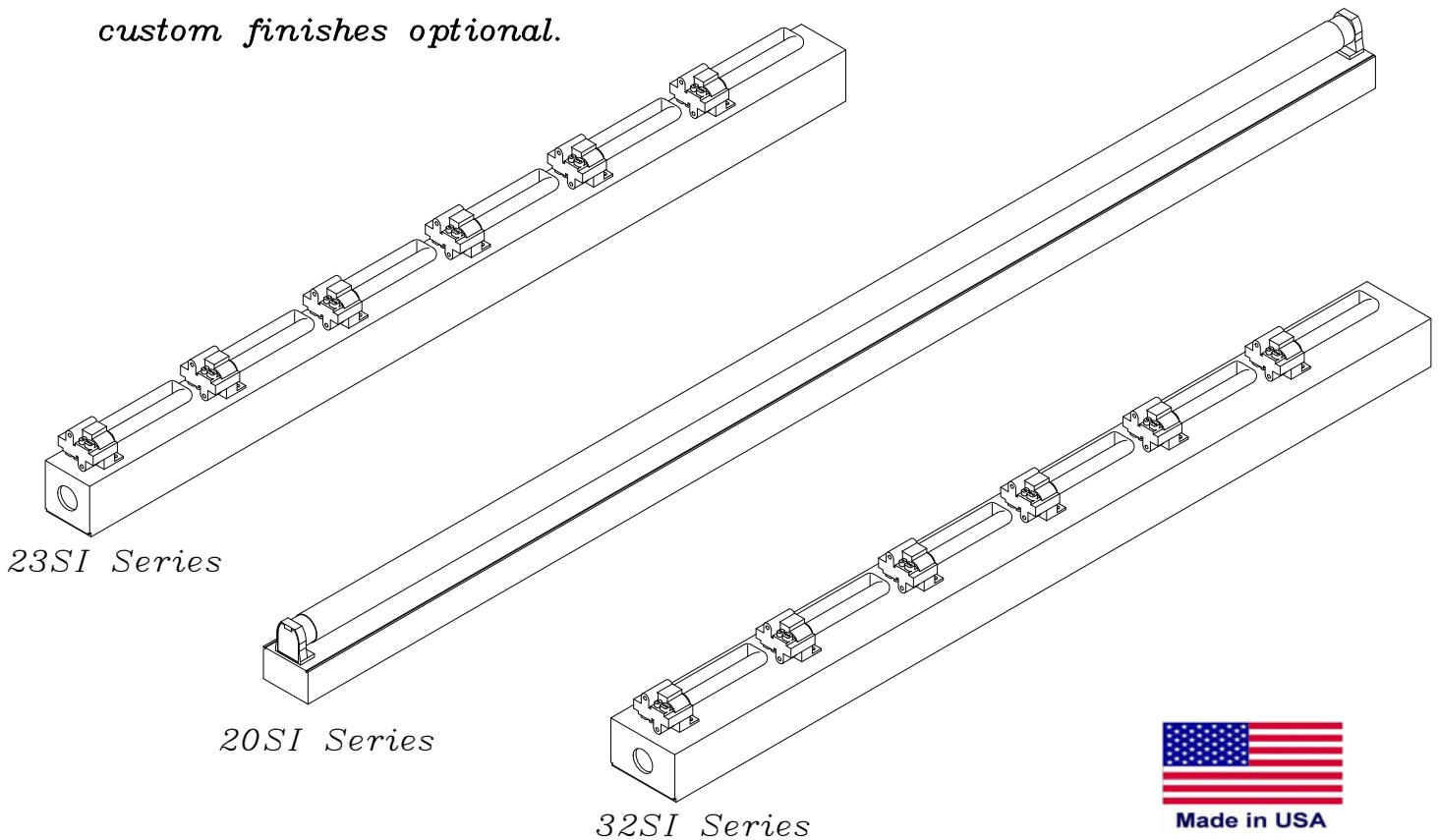


NOTE: IT IS RECOMENDED THAT ALL UNITS CONNECTED TOGETHER SHARE A COMMON WIRING PATTERN.
THROUGH WIRES FOR THE LIGHTING BALLAST IS 12 GA. THHN.
STANDARD RECEPTACLE CIRCUIT WIRING IS 12 GA. THHN UNLESS OTHERWISE NOTED.



COVE LIGHTING STRAIGHT WITH IN-LINE OR LINEAR LAMPS SECTION 2

Airey-Thompson cove lighting brings out the best in architectural details while providing glare-free illumination. Whether flooding a textured wall, tracking a stairway or ceiling, this system is designed for even light distribution with straight housing and in-line lamps. Available for incandescent or a variety of fluorescent lamps; dimming ballasts may be available for some lamps. All fixtures are low-maintenance extruded anodized aluminum, with custom finishes optional.



Engineered to meet the requirements of today's interiors, Airey-Thompson cove lighting is made to customer specified length so every piece fits your specific application. All fixtures are UL and CUL listed damp location. Many lamp types can be supplied with dimming ballasts. Questions on how cove lighting can illuminate your next project? Call today!

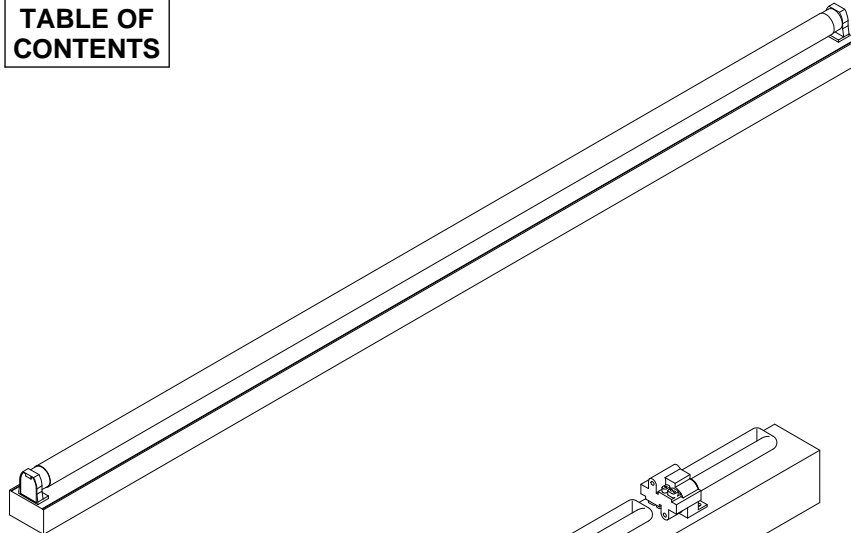


COVE LIGHTING

STRAIGHT WITH IN-LINE OR LINEAR LAMPS

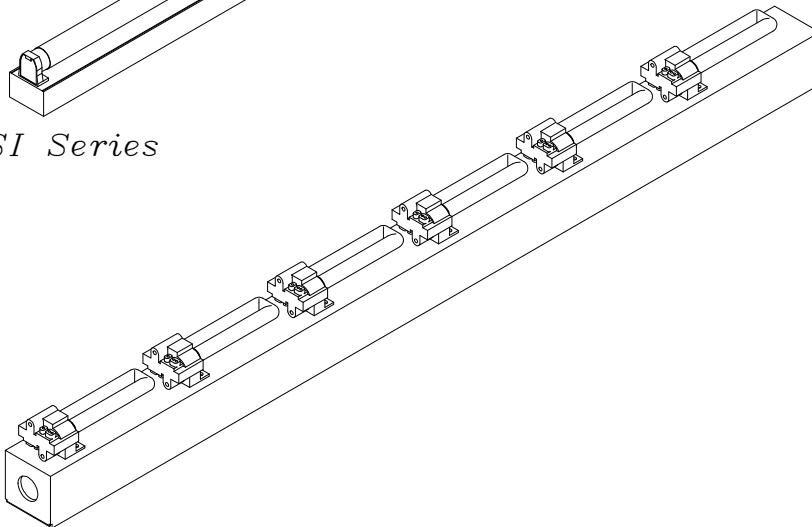
SECTION 2

**BACK TO
TABLE OF
CONTENTS**



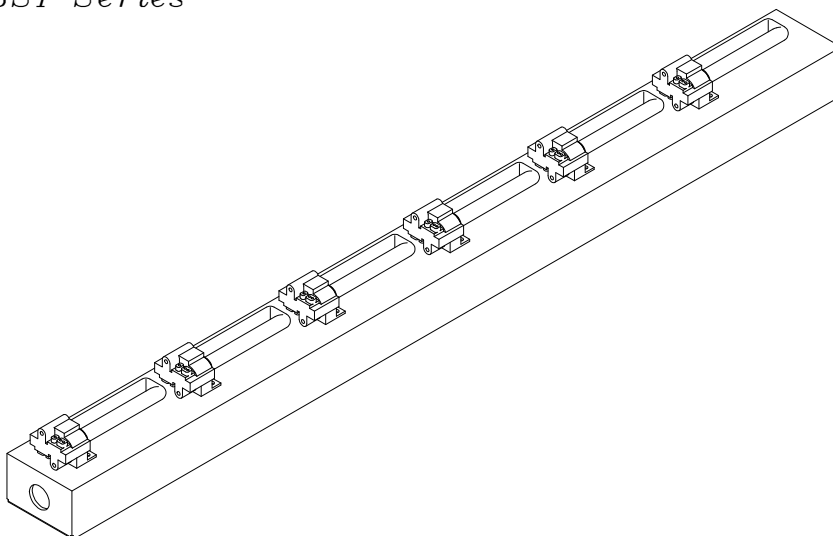
20SI Series

T8 LAMPS
T5 LAMPS



23SI Series

AVAILABLE LAMPS:
7/9 WATT 4 PIN TWIN TUBE
13 WATT 4 PIN TWIN TUBE
18 WATT TWIN TUBE
26 WATT QUAD TUBE
24/27 WATT TWIN TUBE
36/39 WATT TWIN TUBE
40 WATT TWIN TUBE
50 WATT TWIN TUBE
55 WATT TWIN TUBE



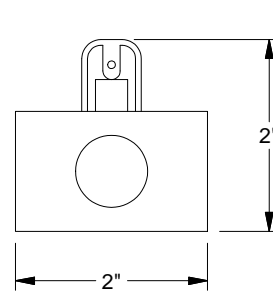
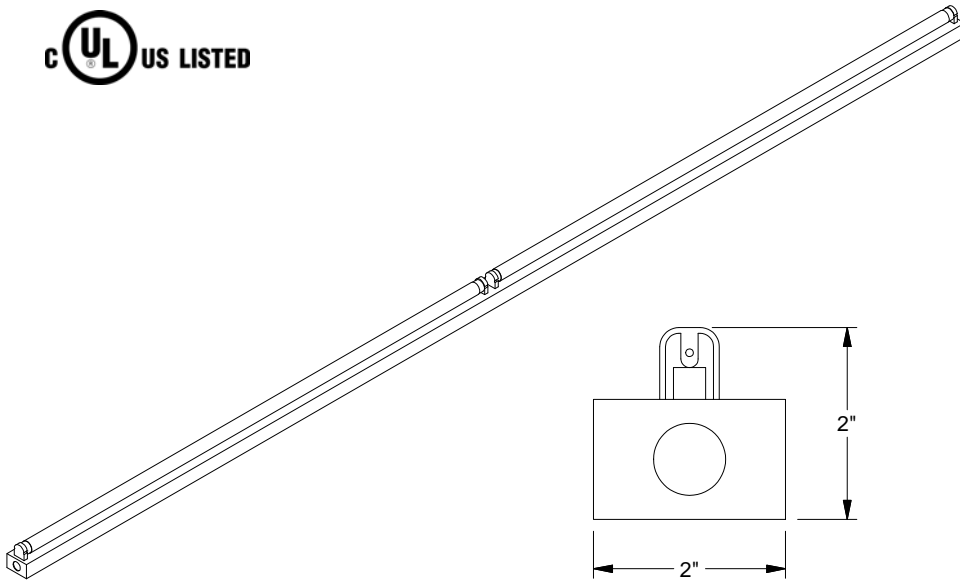
32SI Series

AVAILABLE LAMPS:
7/9 WATT 4 PIN TWIN TUBE
13 WATT 4 PIN TWIN TUBE
18 WATT TWIN TUBE
26 WATT QUAD TUBE
24/27 WATT TWIN TUBE
36/39 WATT TWIN TUBE
40 WATT TWIN TUBE
50 WATT TWIN TUBE
55 WATT TWIN TUBE

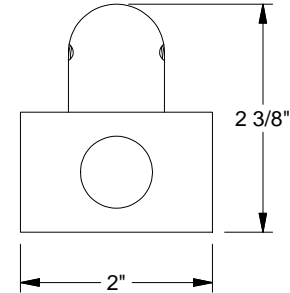


Type: _____

**BACK TO
COVE SI**



T5 Cross Section



T8 Cross Section

SPECIFICATIONS

- Extruded 6063-T5 aluminum housing and cover, .060 nominal wall thickness.
- Satin anodized aluminum finish is standard. Custom finishes available upon request.
- Electronic, high power factor, instant start ballast, is standard.
- Small cross section allows placement in shallow, space restricted locations.
- Luminaires can be wall or surface mounted or suspended with aircraft cables.
- End to end lamp configuration for even light.
- Snap off cover for easy access to ballast and wiring compartment.
- Fixtures are shipped with feed end caps, for continuous row mounting, simply remove end caps where luminaires meet, and use the internal coupler (provided) to make a seamless link.
- Available for use with a wide variety of T8, T5 or T5HO lamps, see lamp chart for selection.
- Tube guards for T8 or T5 lamps, available upon request.
- All units are UL & CUL LISTED damp locations.
- Consult factory for special miters, lamp spacing and lamp base options.

How to build a part number	Product Series	Quantity of lamps	Lamp code	Ballast Voltage
Part number format	20	2	17T8	9
Choices	20	1 OR 2 Lamps are standard.	See lamp chart for lamp selection & length	0= 120 7= 277 9= 120/277

**20 Series Luminaire
Lamp/Length Chart**

Lamp Type	Lamp Code (For P/N)	Luminaire Length (includes end caps)	
		1 Lamp	2 Lamp

T8

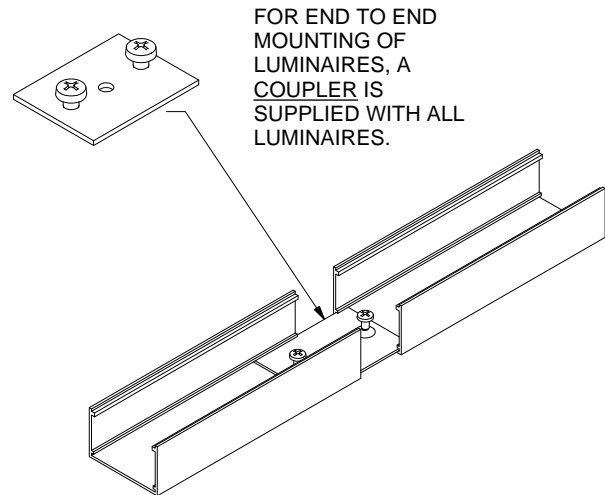
F14T8	14T8	15 3/4"	30 3/4"
F15T8	15T8	18 3/4"	36 3/4"
F17T8	17T8	24 3/4"	48 3/4"
F25T8	25T8	36 3/4"	72 3/4"
F32T8	32T8	48 3/4"	96 3/4"

T5

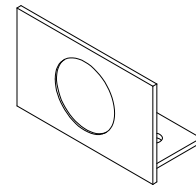
F6T5	6T5	9 3/4"	18 7/8"
F8T5	8T5	12 3/4"	24 7/8"
F13T5	13T5	21 3/4"	42 7/8"
F14T5	14T5	23"	45 7/16"
F21T5	21T5	34 13/16"	69"
F28T5	28T5	46 5/8"	92 5/8"
F35T5	35T5	58 1/2"	116 7/16"

T5 HO

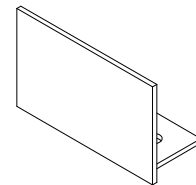
F24T5	24T5	23"	45 7/16"
F39T5	39T5	34 13/16"	69"
F54T5	54T5	46 5/8"	92 5/8"



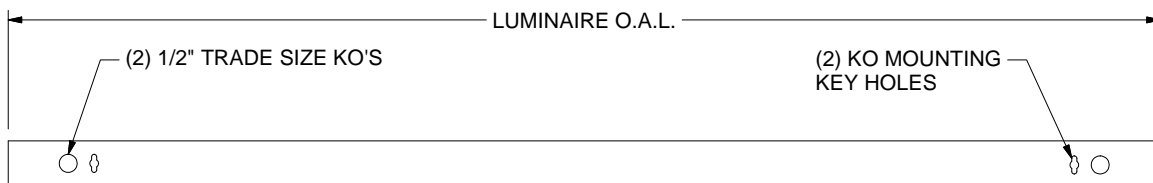
FOR END TO END MOUNTING OF LUMINAIRES, A COUPLER IS SUPPLIED WITH ALL LUMINAIRES.



(OPTIONAL) **2010A** FEED END CAP



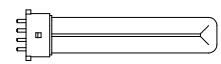
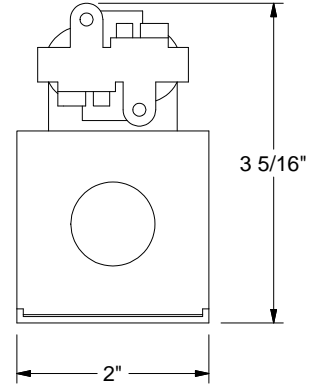
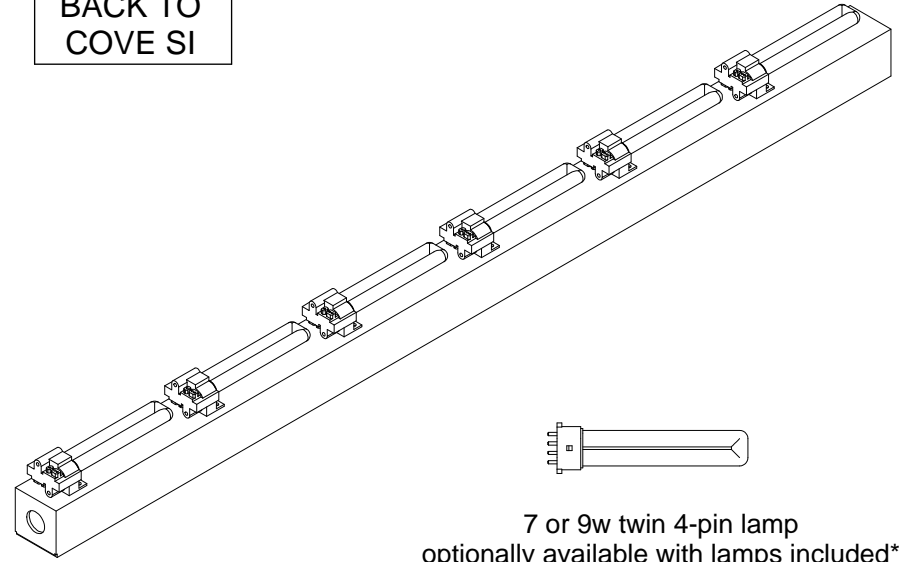
(OPTIONAL) **2010B** BLANK END CAP



BOTTOM VIEW OF LUMINAIRE

Type: _____

BACK TO
COVE SI



7 or 9w twin 4-pin lamp
optionally available with lamps included*



SPECIFICATIONS

- Extruded 6063-T5 aluminum base and cover with .060 nominal wall thickness.
- Satin anodized aluminum finish. Custom finishes available on special request.
- Lamps mounted on 7.25 in. centers standard for continuous row fixtures, however greater custom spacing is available.
- Supplied with 2G7 lamp holder.
- Electronic, High Power Factor, Instant Start ballast, is standard.
- Single lamp fixtures for small niche or wall sconce.
- Snap off cover for easy access to ballast and wiring compartment.
- Fixtures are shipped with feed end caps. For continuous row mounting, simply remove end caps where luminaires meet, and use the internal coupler (provided) to make a seamless link.
- All units are UL & CUL LISTED damp locations.
- Consult factory for special miters, lamp spacing, curving and lamp base options.
- On continuous row fixtures the standard lamp centers is maintained and any difference in length is balanced out on each end.

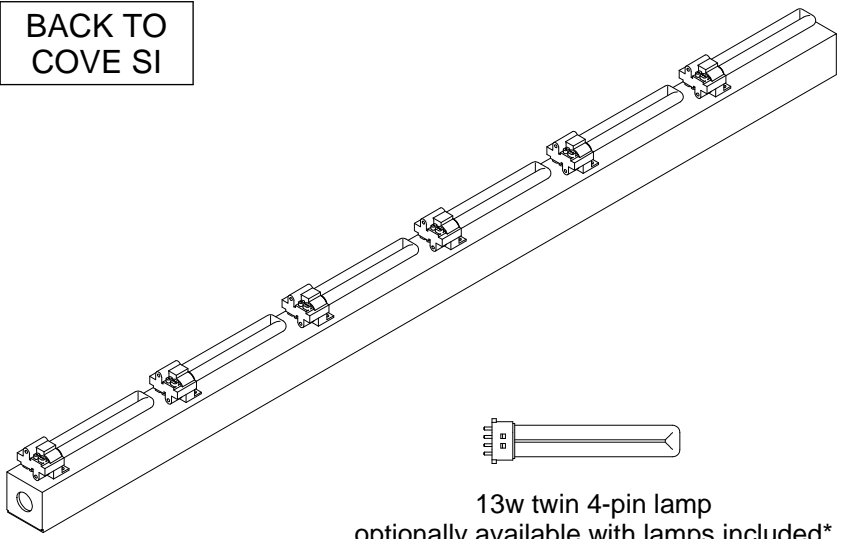
* If ordered with lamps, 3500k color temperature is standard, other lamp colors may be available.

<u>SINGLE UNIT CATALOG NO.</u>	<u>LENGTH</u>	<u>VOLTAGE</u>
23040SI	7.5 IN.	120
23047SI	7.5 IN.	277

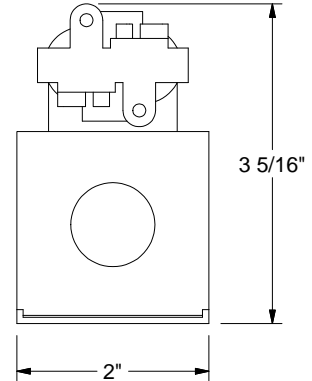
<u>MULTIPLE UNIT CATALOG NO.</u>	<u>LENGTH (Specify)</u>	<u>VOLTAGE</u>
23040SI-X	____ FT. ____ IN.	120
23047SI-X	____ FT. ____ IN.	277

Type: _____

BACK TO
COVE SI



13w twin 4-pin lamp
optionally available with lamps included*



SPECIFICATIONS

- Extruded 6063-T5 aluminum base and cover with .060 nominal wall thickness.
- Satin anodized aluminum finish. Custom finishes available on special request.
- Lamps mounted on 8 in. centers standard for continuous row fixtures, however greater custom spacing is available.
- Supplied with 2GX7 lamp holder.
- Electronic, high power factor, instant start ballast, is standard.
- Single lamp fixtures for small niche or wall sconce.
- Snap off cover for easy access to ballast and wiring compartment.
- Fixtures are shipped with feed end caps. For continuous row mounting, simply remove end caps where luminaires meet, and use the internal coupler (provided) to make a seamless link.
- All units are UL & CUL LISTED damp location.
- Consult factory for special miters, lamp spacing, curving and lamp base options.
- On custom length fixtures the standard lamp centers is maintained and any difference in length is balanced out on each end.

* If ordered with lamps, 3500k color temperature is standard, other lamp colors may be available.

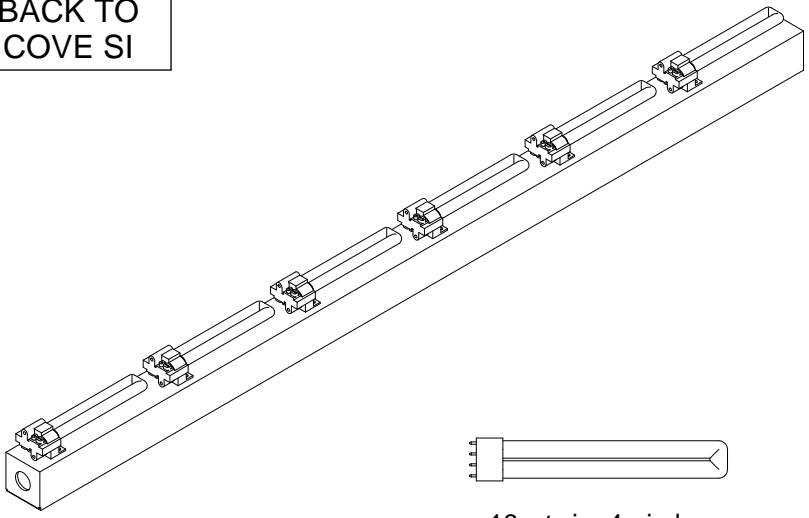
<u>SINGLE UNIT CATALOG NO.</u>	<u>LENGTH</u>	<u>VOLTAGE</u>
23050SI	8.25 IN.	120
23057SI	8.25 IN.	277

<u>MULTIPLE UNIT CATALOG NO.</u>	<u>LENGTH (Specify)</u>	<u>VOLTAGE</u>
23050SI-X	____ FT. ____ IN.	120
23057SI-X	____ FT. ____ IN.	277

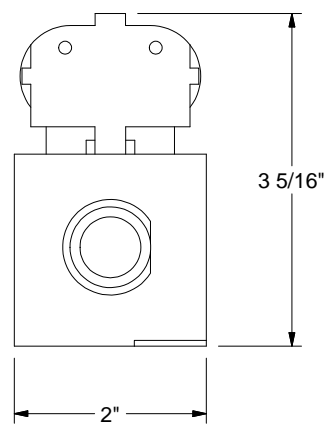
**23 SERIES
COVE LIGHTING**
18w TWIN TUBE, 4 PIN LAMPS (2G11 BASE)
STRAIGHT WITH IN-LINE LAMPS

Type: _____

BACK TO
COVE SI



18w twin, 4-pin lamp
optionally available with lamps included*



SPECIFICATIONS

- Extruded 6063-T5 aluminum base and cover with .060 nominal wall thickness.
- Satin anodized aluminum finish. Custom finishes available on special request.
- Lamps mounted on 11 in. centers standard for continuous row fixtures, however greater custom spacing is available.
- Supplied with 2G11 lamp holder.
- Electronic, High Power Factor, Instant Start ballast, is standard.
- Single lamp fixtures for small niche or wall sconce.
- Snap off cover for easy access to ballast and wiring compartment.
- Fixtures are shipped with feed end caps. For continuous row mounting, simply remove end caps where luminaires meet, and use the internal coupler (provided) to make a seamless link.
- All units are UL & CUL LISTED damp locations.
- Consult factory for special miters, lamp spacing, curving and lamp base options.
- On continuous row fixtures the standard lamp centers is maintained and any difference in length is balanced out on each end.

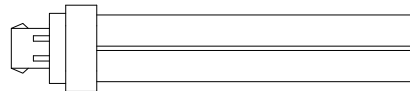
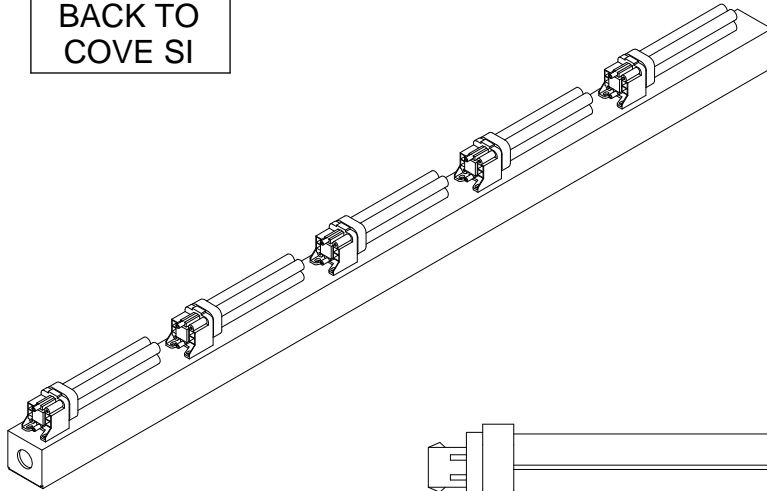
* If ordered with lamps, 3500k color temperature is standard, other lamp colors may be available.

<u>SINGLE UNIT CATALOG NO.</u>	<u>LENGTH</u>	<u>VOLTAGE</u>
23060SI	11.25 IN.	120
23067SI	11.25 IN.	277

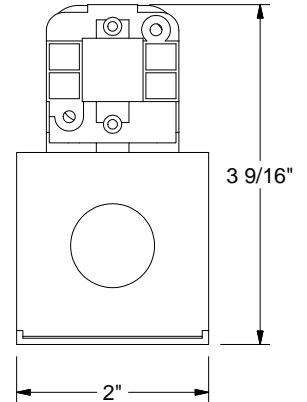
<u>MULTIPLE UNIT CATALOG NO.</u>	<u>LENGTH (Specify)</u>	<u>VOLTAGE</u>
23060SI-X	____ FT. ____ IN.	120
23067SI-X	____ FT. ____ IN.	277

Type: _____

BACK TO
COVE SI



26w quad 4-pin lamp
optionally available with lamps included*



SPECIFICATIONS

- Extruded 6063-T5 aluminum base and cover with .060 nominal wall thickness.
- Satin anodized aluminum finish. Custom finishes available on special request.
- Lamps mounted on 8.25 in. centers standard for continuous row fixtures, however greater custom spacing is available.
- Supplied with G24q-3 lamp holder.
- Electronic, High Power Factor, Instant Start ballast, is standard.
- Single lamp fixtures for small niche or wall sconce.
- Snap off cover for easy access to ballast and wiring compartment.
- Fixtures are shipped with feed end caps. For continuous row mounting, simply remove end caps where luminaires meet, and use the internal coupler (provided) to make a seamless link.
- All units are UL & CUL LISTED damp location.
- Consult factory for special miters, lamp spacing, curving and lamp base options.
- On continuous row fixtures the standard lamp centers is maintained and any difference in length is balanced out on each end.

* If ordered with lamps, 3500k color temperature is standard, other lamp colors may be available.

<u>SINGLE UNIT CATALOG NO.</u>	<u>LENGTH</u>	<u>VOLTAGE</u>
23070SI	8.5 IN.	120
23077SI	8.5 IN.	277

<u>MULTIPLE UNIT CATALOG NO.</u>	<u>LENGTH (Specify)</u>	<u>VOLTAGE</u>
23070SI-X	____ FT. ____ IN.	120
23077SI-X	____ FT. ____ IN.	277

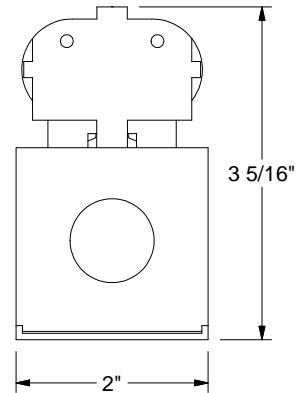
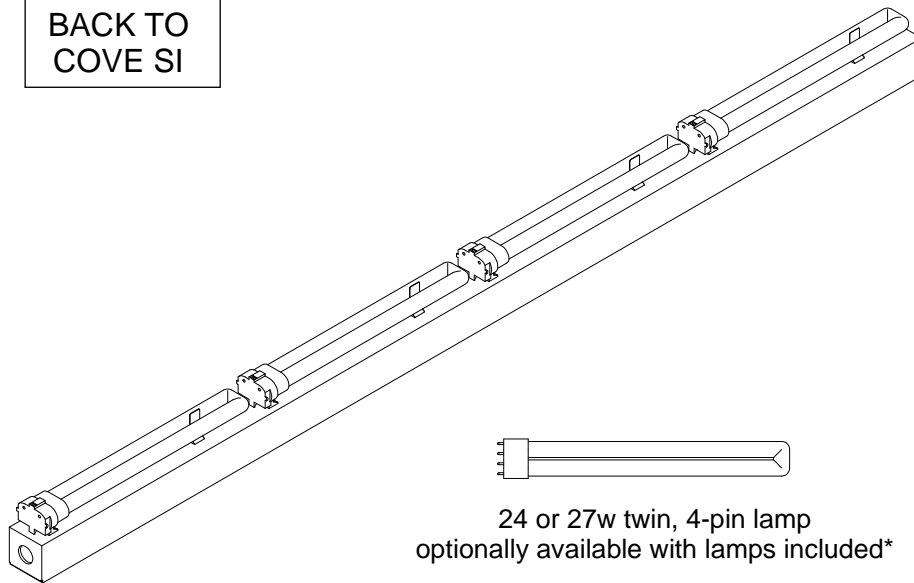


AIREY-THOMPSON™
Manufacturing Quality Luminaires

**23 SERIES
COVE LIGHTING
24/27w TWIN TUBE, 4 PIN LAMPS (2G11 BASE)
STRAIGHT WITH IN-LINE LAMPS**

Type: _____

BACK TO
COVE SI



24 or 27w twin, 4-pin lamp
optionally available with lamps included*



SPECIFICATIONS

- Extruded 6063-T5 aluminum base and cover with .060 nominal wall thickness.
- Satin anodized aluminum finish. Custom finishes available on special request.
- Lamps mounted on 14 in. centers standard for continuous row fixtures, however greater custom spacing is available.
- Supplied with 2G11 lamp holder.
- Electronic, High Power Factor, Instant Start ballast, is standard.
- Single lamp fixtures for small niche or wall sconce.
- Snap off cover for easy access to ballast and wiring compartment.
- Fixtures are shipped with feed end caps. For continuous row mounting, simply remove end caps where luminaires meet, and use the internal coupler (provided) to make a seamless link.
- All units are UL & CUL LISTED damp locations.
- Consult factory for special miters, lamp spacing, curving and lamp base options.
- On continuous row fixtures the standard lamp centers is maintained and any difference in length is balanced out on each end.

* If ordered with lamps, 3500k color temperature is standard, other lamp colors may be available.

<u>SINGLE UNIT CATALOG NO.</u>	<u>LENGTH</u>	<u>VOLTAGE</u>
23080SI	14.25 IN.	120
23087SI	14.25 IN.	277

<u>MULTIPLE UNIT CATALOG NO.</u>	<u>LENGTH (Specify)</u>	<u>VOLTAGE</u>
23080SI-X	____ FT. ____ IN.	120
23087SI-X	____ FT. ____ IN.	277

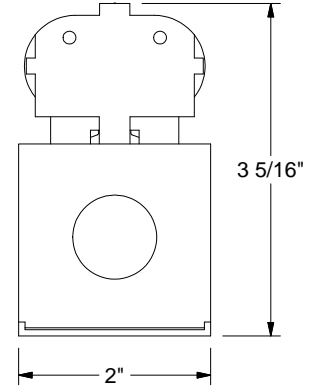
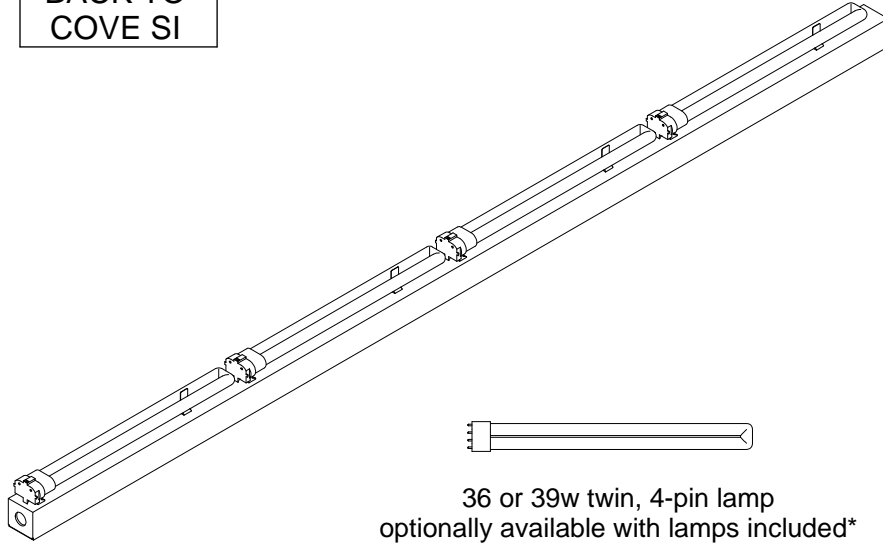


AIREY-THOMPSON™
Manufacturing Quality Luminaires

**23 SERIES
COVE LIGHTING
36/39w TWIN TUBE, 4 PIN LAMPS (2G11 BASE)
STRAIGHT WITH IN-LINE LAMPS**

Type: _____

BACK TO
COVE SI



36 or 39w twin, 4-pin lamp
optionally available with lamps included*



SPECIFICATIONS

- Extruded 6063-T5 aluminum base and cover with .060 nominal wall thickness.
- Satin anodized aluminum finish. Custom finishes available on special request.
- Lamps mounted on 17.5 in. centers standard for continuous row fixtures, however greater custom spacing is available.
- Supplied with 2G11 lamp holder.
- Electronic, High Power Factor, Instant Start ballast, is standard.
- Single lamp fixtures for small niche or wall sconce.
- Snap off cover for easy access to ballast and wiring compartment.
- Fixtures are shipped with feed end caps. For continuous row mounting, simply remove end caps where luminaires meet, and use the internal coupler (provided) to make a seamless link.
- All units are UL & CUL LISTED damp locations.
- Consult factory for special miters, lamp spacing, curving and lamp base options.
- On continuous row fixtures the standard lamp centers is maintained and any difference in length is balanced out on each end.

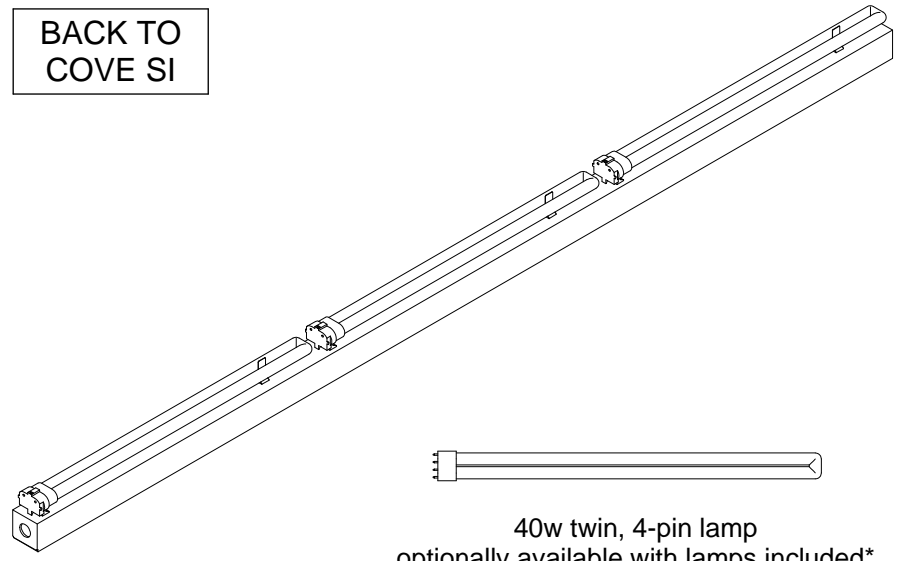
* If ordered with lamps, 3500k color temperature is standard, other lamp colors may be available.

<u>SINGLE UNIT CATALOG NO.</u>	<u>LENGTH</u>	<u>VOLTAGE</u>
23090SI	17.75 IN.	120
23097SI	17.75 IN.	277

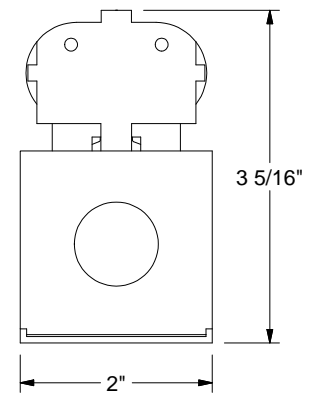
<u>MULTIPLE UNIT CATALOG NO.</u>	<u>LENGTH (Specify)</u>	<u>VOLTAGE</u>
23090SI-X	____ FT. ____ IN.	120
23097SI-X	____ FT. ____ IN.	277

Type: _____

BACK TO
COVE SI



40w twin, 4-pin lamp
optionally available with lamps included*



SPECIFICATIONS

- Extruded 6063-T5 aluminum base and cover with .060 nominal wall thickness.
- Satin anodized aluminum finish. Custom finishes available on special request.
- Lamps mounted on 23.5 in. centers standard for continuous row fixtures, however greater custom spacing is available.
- Supplied with 2G11 lamp holder.
- Electronic, High Power Factor, Instant Start ballast, is standard.
- Single lamp fixtures for small niche or wall sconce.
- Snap off cover for easy access to ballast and wiring compartment.
- Fixtures are shipped with feed end caps. For continuous row mounting, simply remove end caps where luminaires meet, and use the internal coupler (provided) to make a seamless link.
- All units are UL & CUL LISTED damp locations.
- Consult factory for special miters, lamp spacing, curving and lamp base options.
- On continuous row fixtures the standard lamp centers is maintained and any difference in length is balanced out on each end.

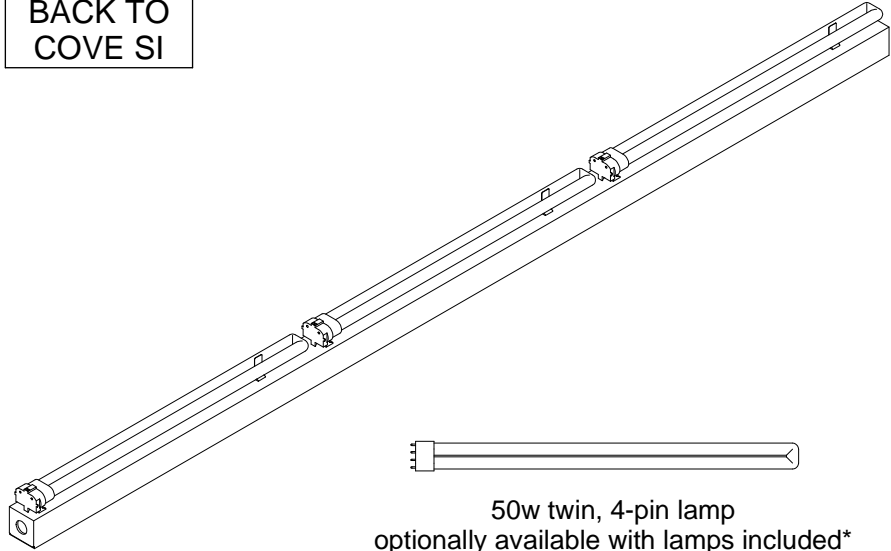
* If ordered with lamps, 3500k color temperature is standard, other lamp colors may be available.

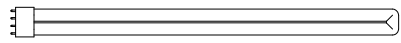
<u>SINGLE UNIT CATALOG NO.</u>	<u>LENGTH</u>	<u>VOLTAGE</u>
23100SI	23.75 IN.	120
23107SI	23.75 IN.	277

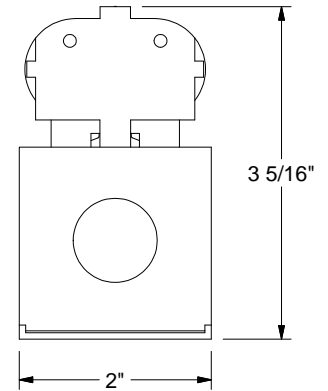
<u>MULTIPLE UNIT CATALOG NO.</u>	<u>LENGTH (Specify)</u>	<u>VOLTAGE</u>
23100SI-X	____ FT. ____ IN.	120
23107SI-X	____ FT. ____ IN.	277

Type: _____

BACK TO
COVE SI




50w twin, 4-pin lamp
optionally available with lamps included*



SPECIFICATIONS

- Extruded 6063-T5 aluminum base and cover with .060 nominal wall thickness.
- Satin anodized aluminum finish. Custom finishes available on special request.
- Lamps mounted on 23.5 in. centers standard for continuous row fixtures, however greater custom spacing is available.
- Supplied with 2G11 lamp holder.
- Electronic, High Power Factor, Instant Start ballast, is standard.
- Single lamp fixtures for small niche or wall sconce.
- Snap off cover for easy access to ballast and wiring compartment.
- Fixtures are shipped with feed end caps. For continuous row mounting, simply remove end caps where luminaires meet, and use the internal coupler (provided) to make a seamless link.
- All units are UL & CUL LISTED damp locations.
- Consult factory for special miters, lamp spacing, curving and lamp base options.
- On continuous row fixtures the standard lamp centers is maintained and any difference in length is balanced out on each end.

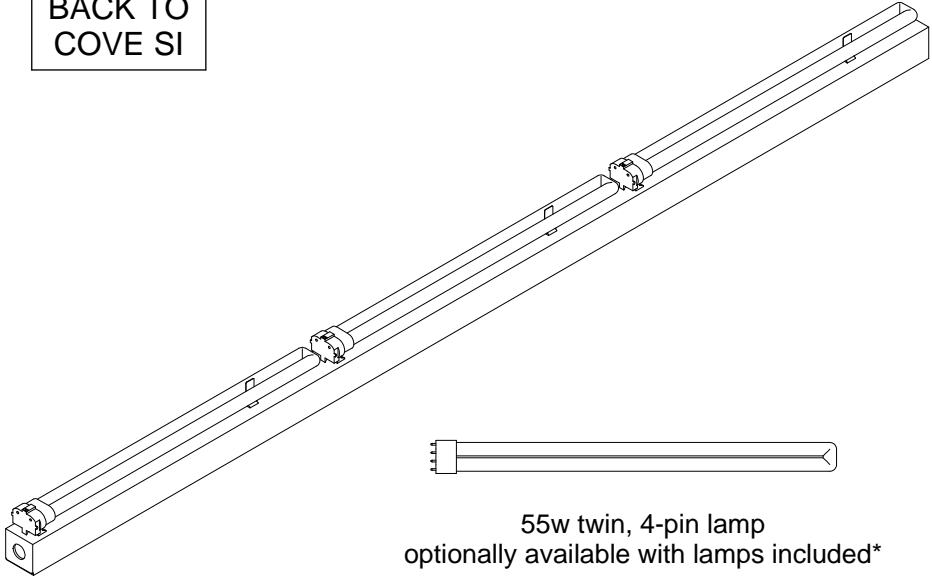
* If ordered with lamps, 3500k color temperature is standard, other lamp colors may be available.

<u>SINGLE UNIT CATALOG NO.</u>	<u>LENGTH</u>	<u>VOLTAGE</u>
23110SI	23.75 IN.	120
23117SI	23.75 IN.	277

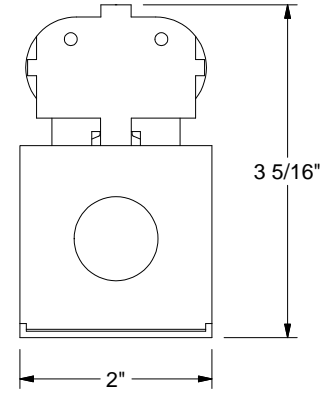
<u>MULTIPLE UNIT CATALOG NO.</u>	<u>LENGTH (Specify)</u>	<u>VOLTAGE</u>
23110SI-X	____ FT. ____ IN.	120
23117SI-X	____ FT. ____ IN.	277

Type: _____

BACK TO
COVE SI



55w twin, 4-pin lamp
optionally available with lamps included*



SPECIFICATIONS

- Extruded 6063-T5 aluminum base and cover with .060 nominal wall thickness.
- Satin anodized aluminum finish. Custom finishes available on special request.
- Lamps mounted on 22.5 in. centers standard for continuous row fixtures, however greater custom spacing is available.
- Supplied with 2G11 lamp holder.
- Electronic, High Power Factor, Instant Start ballast, is standard.
- Single lamp fixtures for small niche or wall sconce.
- Snap off cover for easy access to ballast and wiring compartment.
- Fixtures are shipped with feed end caps. For continuous row mounting, simply remove end caps where luminaires meet, and use the internal coupler (provided) to make a seamless link.
- All units are UL & CUL LISTED damp locations.
- Consult factory for special miters, lamp spacing, curving and lamp base options.
- On continuous row fixtures the standard lamp centers is maintained and any difference in length is balanced out on each end.

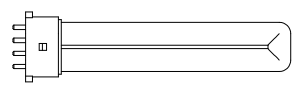
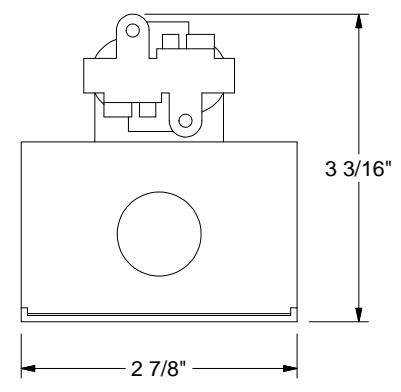
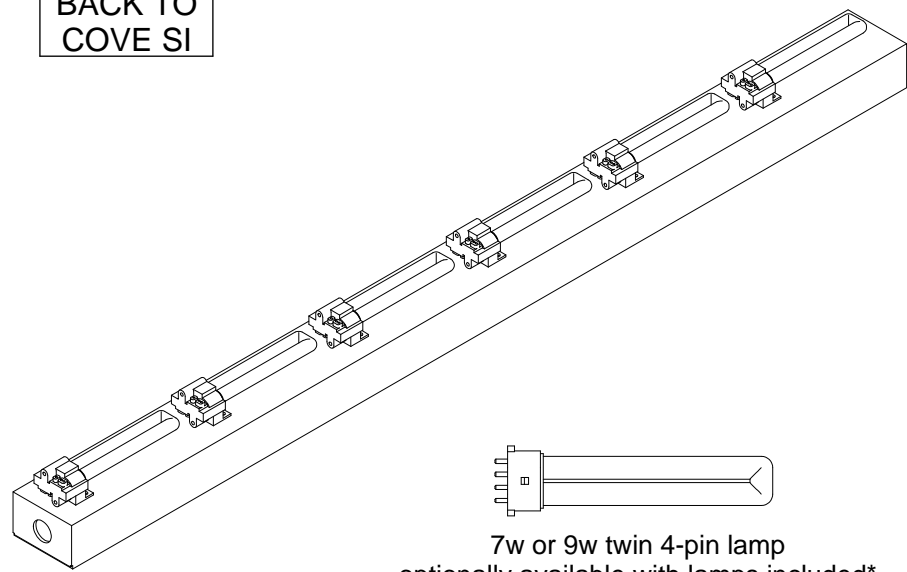
* If ordered with lamps, 3500k color temperature is standard, other lamp colors may be available.

<u>SINGLE UNIT CATALOG NO.</u>	<u>LENGTH</u>	<u>VOLTAGE</u>
23120SI	22.75 IN.	120
23127SI	22.75 IN.	277

<u>MULTIPLE UNIT CATALOG NO.</u>	<u>LENGTH (Specify)</u>	<u>VOLTAGE</u>
23120SI-X	____ FT. ____ IN.	120
23127SI-X	____ FT. ____ IN.	277

Type: _____

**BACK TO
COVE SI**



7w or 9w twin 4-pin lamp
optionally available with lamps included*



SPECIFICATIONS

- Extruded 6063-T5 aluminum base and cover with .060 nominal wall thickness.
- Satin anodized aluminum finish. Custom finishes available on special request.
- Lamps mounted on 7.25 in. centers standard for continuous row fixtures, however greater custom spacing is available.
- Supplied with 2G7 lamp holder.
- Electronic, high power factor, instant start ballast, is standard.
- Single lamp fixtures for small niche or wall sconce.
- Snap off cover for easy access to ballast and wiring compartment.
- Fixtures are shipped with feed end caps. For continuous row mounting, simply remove end caps where luminaires meet, and use the internal coupler (provided) to make a seamless link.
- All units are UL & CUL LISTED damp locations.
- Consult factory for special miters, lamp spacing, curving and lamp base options.
- On continuous row fixtures the standard lamp centers is maintained and any difference in length is balanced out on each end.

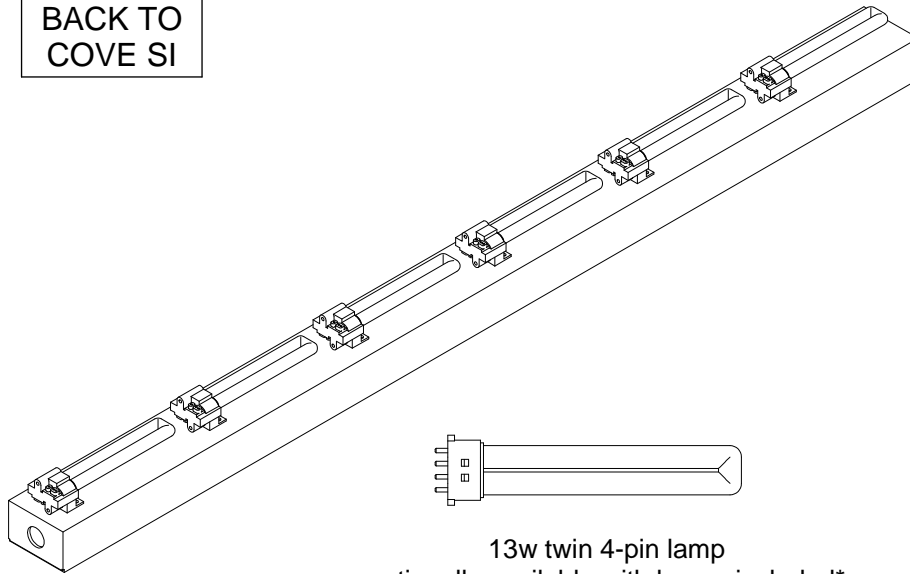
* If ordered with lamps, 3500k color temperature is standard, other lamp colors may be available.

<u>SINGLE UNIT CATALOG NO.</u>	<u>LENGTH</u>	<u>VOLTAGE</u>
32040SI	7.5 IN.	120
32047SI	7.5 IN.	277

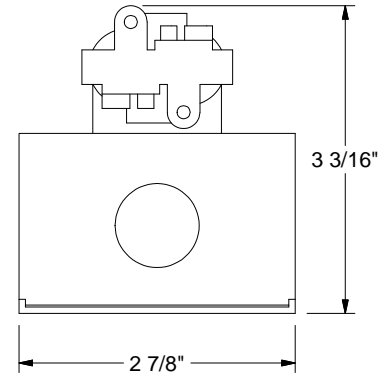
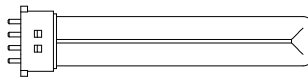
<u>MULTIPLE UNIT CATALOG NO.</u>	<u>LENGTH (Specify)</u>	<u>VOLTAGE</u>
32040SI-X	____ FT. ____ IN.	120
32047SI-X	____ FT. ____ IN.	277

Type: _____

BACK TO
COVE SI



13w twin 4-pin lamp
optionally available with lamps included*



SPECIFICATIONS

- Extruded 6063-T5 aluminum base and cover with .060 nominal wall thickness.
- Satin anodized aluminum finish. Custom finishes available on special request.
- Lamps mounted on 8 in. centers standard for continuous row fixtures, however greater custom spacing is available.
- Supplied with 2GX7 lamp holder.
- Electronic, high power factor, instant start ballast, is standard.
- Single lamp fixtures for small niche or wall sconce.
- Snap off cover for easy access to ballast and wiring compartment.
- Fixtures are shipped with feed end caps. For continuous row mounting, simply remove end caps where luminaires meet, and use the internal coupler (provided) to make a seamless link.
- All units are UL & CUL LISTED damp locations.
- Consult factory for special miters, lamp spacing, curving and lamp base options.
- On continuous row fixtures the standard lamp centers is maintained and any difference in length is balanced out on each end.

* If ordered with lamps, 3500k color temperature is standard, other lamp colors may be available.

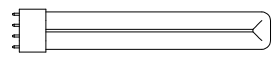
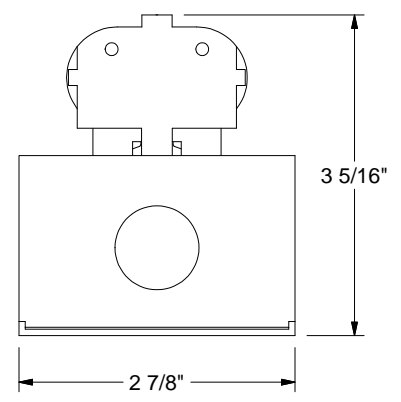
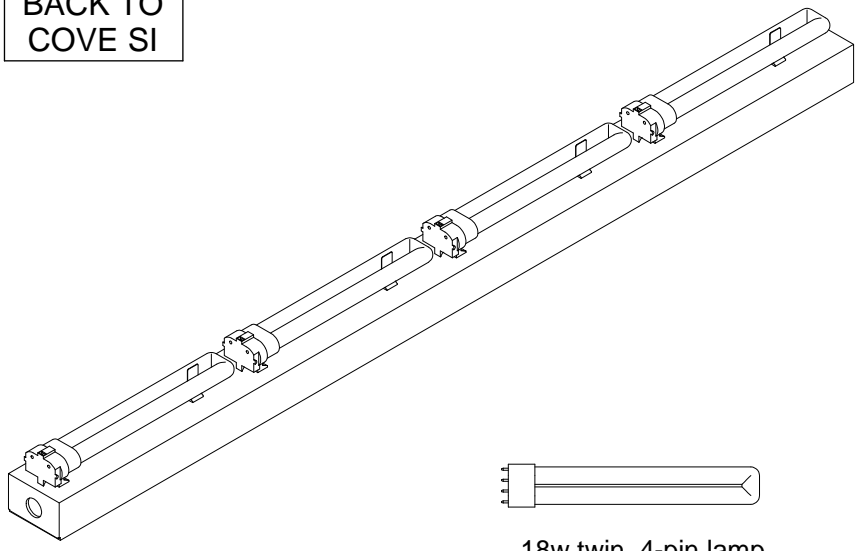
<u>SINGLE UNIT CATALOG NO.</u>	<u>LENGTH</u>	<u>VOLTAGE</u>
32050SI	8.25 IN.	120
32057SI	8.25 IN.	277

<u>MULTIPLE UNIT CATALOG NO.</u>	<u>LENGTH (Specify)</u>	<u>VOLTAGE</u>
32050SI-X	____ FT. ____ IN.	120
32057SI-X	____ FT. ____ IN.	277

**32 SERIES
COVE LIGHTING**
18w TWIN TUBE, 4 PIN LAMPS (2G11 BASE)
STRAIGHT WITH IN-LINE LAMPS

Type: _____

BACK TO
COVE SI



18w twin, 4-pin lamp
optionally available with lamps included*



SPECIFICATIONS

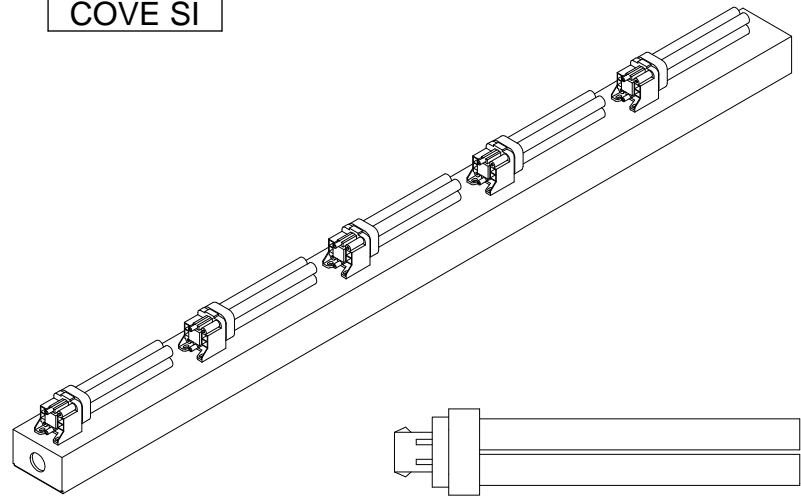
- Extruded 6063-T5 aluminum base and cover with .060 nominal wall thickness.
 - Satin anodized aluminum finish. Custom finishes available on special request.
 - Lamps mounted on 11 in. centers standard for continuous row fixtures, however greater custom spacing is available.
 - Supplied with 2G11 lamp holder.
 - Electronic, High Power Factor, Instant Start ballast, is standard.
 - Single lamp fixtures for small niche or wall sconce.
 - Snap off cover for easy access to ballast and wiring compartment.
 - Fixtures are shipped with feed end caps. For continuous row mounting, simply remove end caps where luminaires meet, and use the internal coupler (provided) to make a seamless link.
 - All units are UL & CUL LISTED damp locations.
 - Consult factory for special miters, lamp spacing, curving and lamp base options.
 - On continuous row fixtures the standard lamp centers is maintained and any difference in length is balanced out on each end.
- * If ordered with lamps, 3500k color temperature is standard, other lamp colors may be available.

<u>SINGLE UNIT CATALOG NO.</u>	<u>LENGTH</u>	<u>VOLTAGE</u>
32060SI	11.25 IN.	120
32067SI	11.25 IN.	277

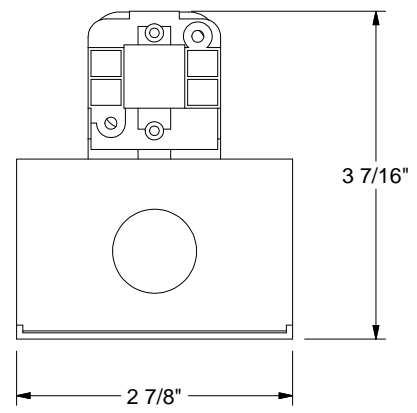
<u>MULTIPLE UNIT CATALOG NO.</u>	<u>LENGTH (Specify)</u>	<u>VOLTAGE</u>
32060SI-X	____ FT. ____ IN.	120
32067SI-X	____ FT. ____ IN.	277

Type: _____

BACK TO
COVE SI



26w quad 4-pin lamp
optionally available with lamps included*



SPECIFICATIONS

- Extruded 6063-T5 aluminum base and cover with .060 nominal wall thickness.
- Satin anodized aluminum finish. Custom finishes available on special request.
- Lamps mounted on 8.25 in. centers standard for continuous row fixtures, however greater custom spacing is available.
- Supplied with G24q-3 lamp holder.
- Electronic, High Power Factor, Instant Start ballast, is standard.
- Single lamp fixtures for small niche or wall sconce.
- Snap off cover for easy access to ballast and wiring compartment.
- Fixtures are shipped with feed end caps. For continuous row mounting, simply remove end caps where luminaires meet, and use the internal coupler (provided) to make a seamless link.
- All units are UL & CUL LISTED damp locations.
- Consult factory for special miters, lamp spacing, curving and lamp base options.
- On continuous row fixtures the standard lamp centers is maintained and any difference in length is balanced out on each end.

* If ordered with lamps, 3500k color temperature is standard, other lamp colors may be available.

<u>SINGLE UNIT CATALOG NO.</u>	<u>LENGTH</u>	<u>VOLTAGE</u>
32070SI	8.5 IN.	120
32077SI	8.5 IN.	277

<u>MULTIPLE UNIT CATALOG NO.</u>	<u>LENGTH (Specify)</u>	<u>VOLTAGE</u>
32070SI-X	____ FT. ____ IN.	120
32077SI-X	____ FT. ____ IN.	277

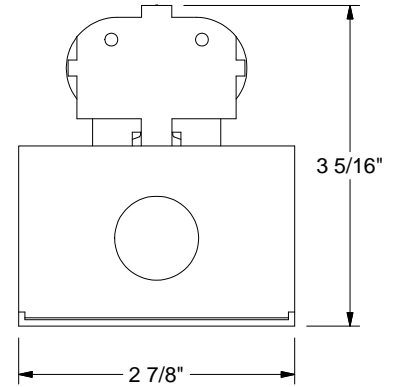
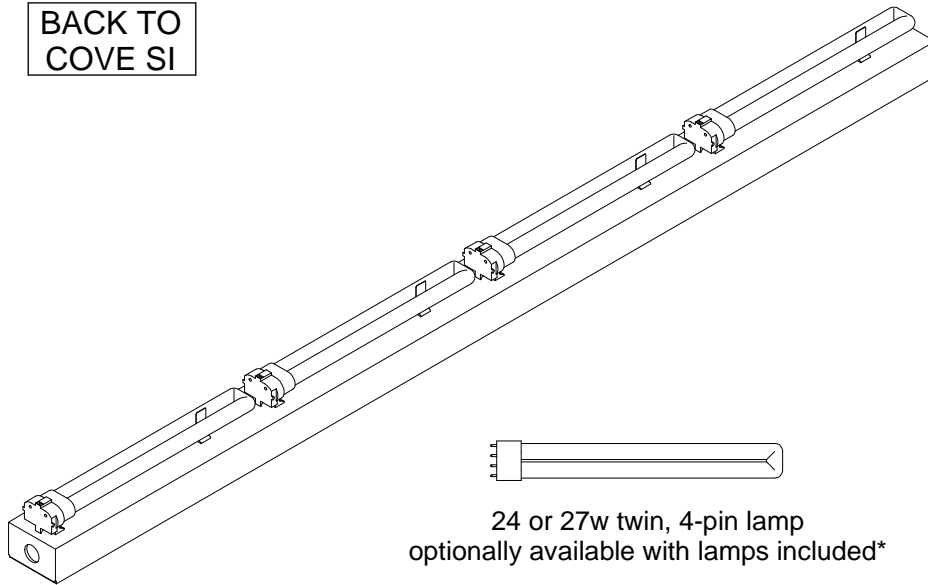


AIREY-THOMPSON™
Manufacturing Quality Luminaires

32 SERIES COVE LIGHTING 24/27w TWIN TUBE, 4 PIN LAMPS (2G11 BASE) STRAIGHT WITH IN-LINE LAMPS

Type: _____

BACK TO
COVE SI



24 or 27w twin, 4-pin lamp
optionally available with lamps included*



SPECIFICATIONS

- Extruded 6063-T5 aluminum base and cover with .060 nominal wall thickness.
- Satin anodized aluminum finish. Custom finishes available on special request.
- Lamps mounted on 14 in. centers standard for continuous row fixtures, however greater custom spacing is available.
- Supplied with 2G11 lamp holder.
- Electronic, High Power Factor, Instant Start ballast, is standard.
- Single lamp fixtures for small niche or wall sconce.
- Snap off cover for easy access to ballast and wiring compartment.
- Fixtures are shipped with feed end caps. For continuous row mounting, simply remove end caps where luminaires meet, and use the internal coupler (provided) to make a seamless link.
- All units are UL & CUL LISTED damp locations.
- Consult factory for special miters, lamp spacing, curving and lamp base options.
- On continuous row fixtures the standard lamp centers is maintained and any difference in length is balanced out on each end.

* If ordered with lamps, 3500k color temperature is standard, other lamp colors may be available.

<u>SINGLE UNIT CATALOG NO.</u>	<u>LENGTH</u>	<u>VOLTAGE</u>
32080SI	14.25 IN.	120
32087SI	14.25 IN.	277

<u>MULTIPLE UNIT CATALOG NO.</u>	<u>LENGTH (Specify)</u>	<u>VOLTAGE</u>
32080SI-X	____ FT. ____ IN.	120
32087SI-X	____ FT. ____ IN.	277

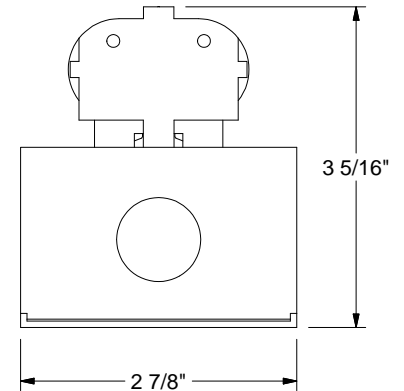
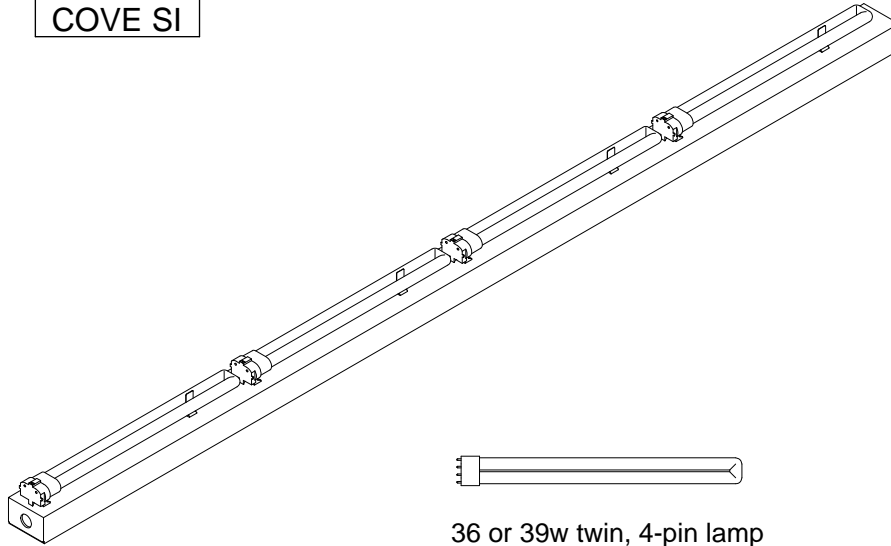


AIREY-THOMPSON™
Manufacturing Quality Luminaires

32 SERIES COVE LIGHTING 36/39w TWIN TUBE, 4 PIN LAMPS (2G11 BASE) STRAIGHT WITH IN-LINE LAMPS

Type: _____

BACK TO
COVE SI



36 or 39w twin, 4-pin lamp
optionally available with lamps included*



SPECIFICATIONS

- Extruded 6063-T5 aluminum base and cover with .060 nominal wall thickness.
- Satin anodized aluminum finish. Custom finishes available on special request.
- Lamps mounted on 17.5 in. centers standard for continuous row fixtures, however greater custom spacing is available.
- Supplied with 2G11 lamp holder.
- Electronic, High Power Factor, Instant Start ballast, is standard.
- Single lamp fixtures for small niche or wall sconce.
- Snap off cover for easy access to ballast and wiring compartment.
- Fixtures are shipped with feed end caps. For continuous row mounting, simply remove end caps where luminaires meet, and use the internal coupler (provided) to make a seamless link.
- All units are UL & CUL LISTED damp locations.
- Consult factory for special miters, lamp spacing, curving and lamp base options.
- On continuous row fixtures the standard lamp centers is maintained and any difference in length is balanced out on each end.

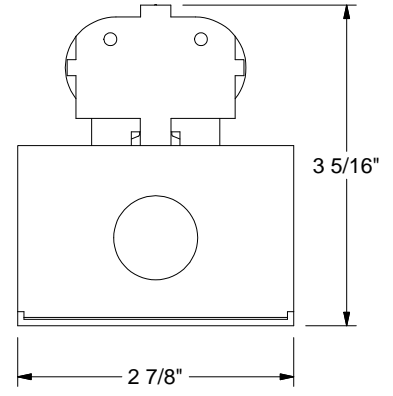
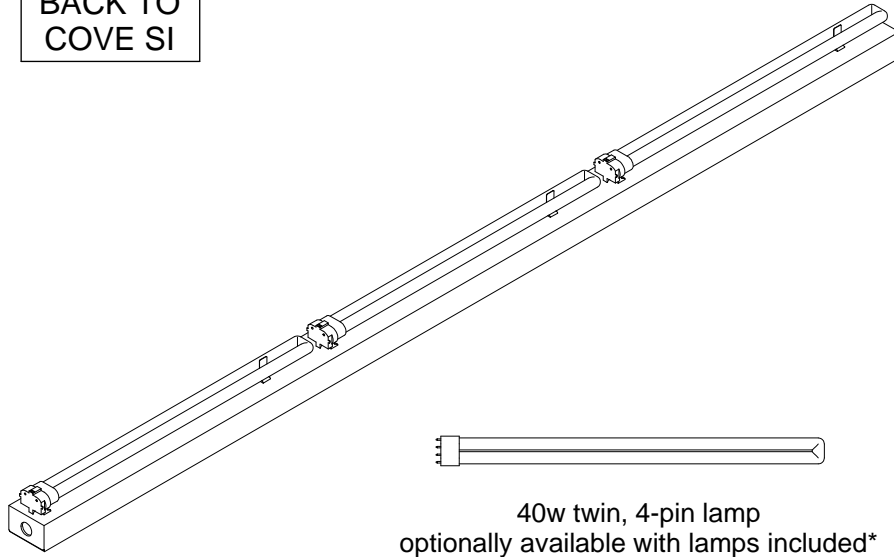
* If ordered with lamps, 3500k color temperature is standard, other lamp colors may be available.

<u>SINGLE UNIT CATALOG NO.</u>	<u>LENGTH</u>	<u>VOLTAGE</u>
32090SI	17.75 IN.	120
32097SI	17.75 IN.	277

<u>MULTIPLE UNIT CATALOG NO.</u>	<u>LENGTH (Specify)</u>	<u>VOLTAGE</u>
32090SI-X	____ FT. ____ IN.	120
32097SI-X	____ FT. ____ IN.	277

Type: _____

BACK TO
COVE SI



SPECIFICATIONS

- Extruded 6063-T5 aluminum base and cover with .060 nominal wall thickness.
- Satin anodized aluminum finish. Custom finishes available on special request.
- Lamps mounted on 23.5 in. centers standard for continuous row fixtures, however greater custom spacing is available.
- Supplied with 2G11 lamp holder.
- Electronic, High Power Factor, Instant Start ballast, is standard.
- Single lamp fixtures for small niche or wall sconce.
- Snap off cover for easy access to ballast and wiring compartment.
- Fixtures are shipped with feed end caps. For continuous row mounting, simply remove end caps where luminaires meet, and use the internal coupler (provided) to make a seamless link.
- All units are UL & CUL LISTED damp locations.
- Consult factory for special miters, lamp spacing, curving and lamp base options.
- On continuous row fixtures the standard lamp centers is maintained and any difference in length is balanced out on each end.

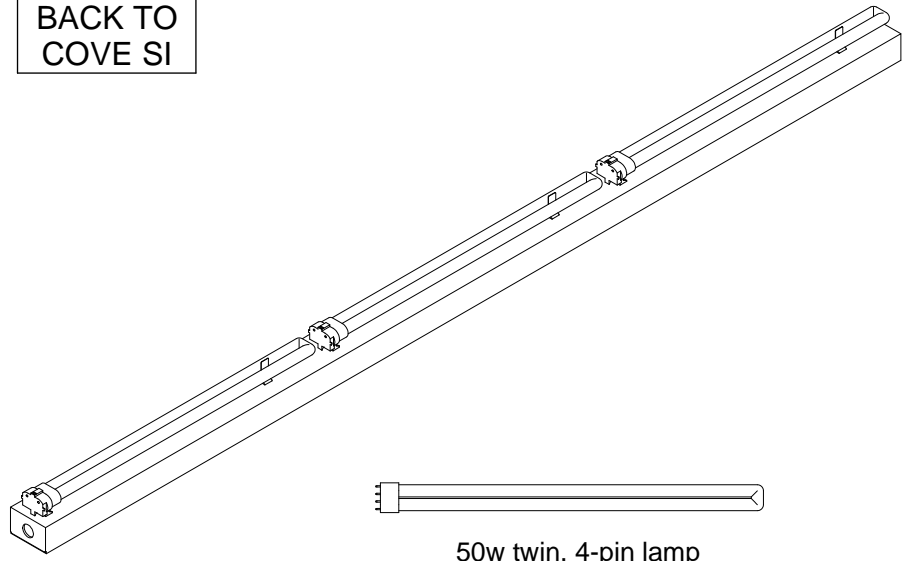
* If ordered with lamps, 3500k color temperature is standard, other lamp colors may be available.

<u>SINGLE UNIT CATALOG NO.</u>	<u>LENGTH</u>	<u>VOLTAGE</u>
32100SI	23.75 IN.	120
32107SI	23.75 IN.	277

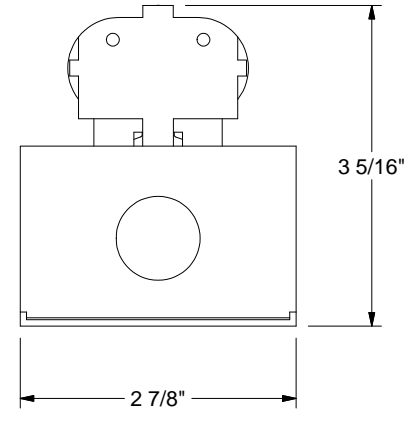
<u>MULTIPLE UNIT CATALOG NO.</u>	<u>LENGTH (Specify)</u>	<u>VOLTAGE</u>
32100SI-X	____ FT. ____ IN.	120
32107SI-X	____ FT. ____ IN.	277

Type: _____

**BACK TO
COVE SI**



50w twin, 4-pin lamp
optionally available with lamps included*



SPECIFICATIONS

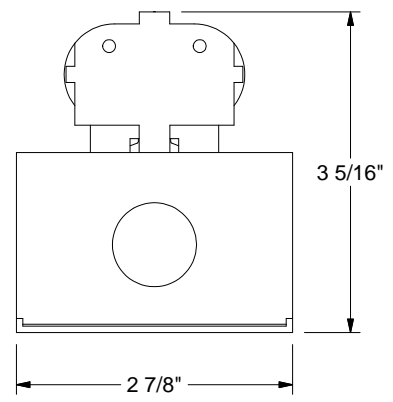
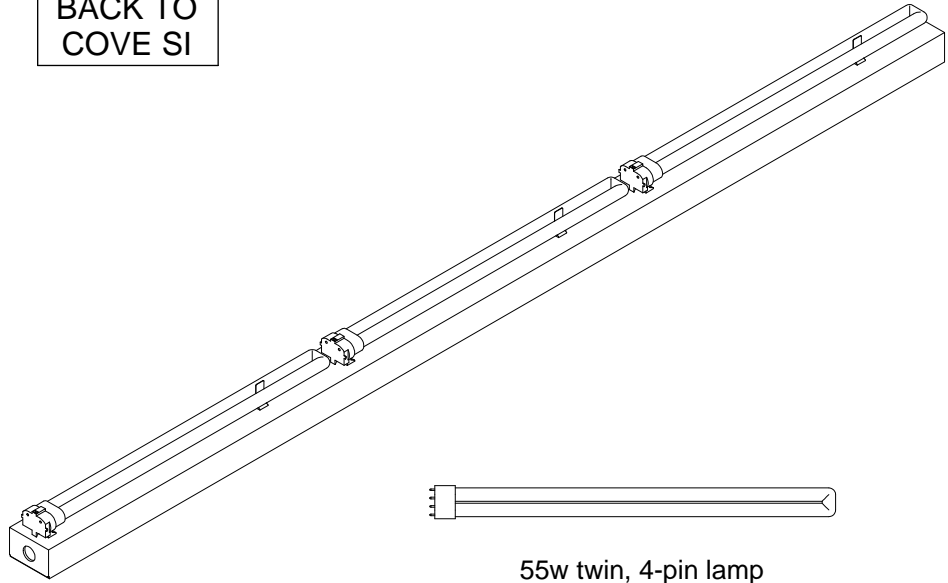
- Extruded 6063-T5 aluminum base and cover with .060 nominal wall thickness.
 - Satin anodized aluminum finish. Custom finishes available on special request.
 - Lamps mounted on 23.5 in. centers standard for continuous row fixtures, however greater custom spacing is available.
 - Supplied with 2G11 lamp holder.
 - Electronic, High Power Factor, Instant Start ballast, is standard.
 - Single lamp fixtures for small niche or wall sconce.
 - Snap off cover for easy access to ballast and wiring compartment.
 - Fixtures are shipped with feed end caps. For continuous row mounting, simply remove end caps where luminaires meet, and use the internal coupler (provided) to make a seamless link.
 - All units are UL & CUL LISTED damp locations.
 - Consult factory for special miters, lamp spacing, curving and lamp base options.
 - On continuous row fixtures the standard lamp centers is maintained and any difference in length is balanced out on each end.
- * If ordered with lamps, 3500k color temperature is standard, other lamp colors may be available.

<u>SINGLE UNIT CATALOG NO.</u>	<u>LENGTH</u>	<u>VOLTAGE</u>
32110SI	23.75 IN.	120
32117SI	23.75 IN.	277

<u>MULTIPLE UNIT CATALOG NO.</u>	<u>LENGTH (Specify)</u>	<u>VOLTAGE</u>
32110SI-X	____ FT. ____ IN.	120
32117SI-X	____ FT. ____ IN.	277

Type: _____

BACK TO
COVE SI



55w twin, 4-pin lamp
optionally available with lamps included*



SPECIFICATIONS

- Extruded 6063-T5 aluminum base and cover with .060 nominal wall thickness.
- Satin anodized aluminum finish. Custom finishes available on special request.
- Lamps mounted on 22.5 in. centers standard for continuous row fixtures, however greater custom spacing is available.
- Supplied with 2G11 lamp holder.
- Electronic, High Power Factor, Instant Start ballast, is standard.
- Single lamp fixtures for small niche or wall sconce.
- Snap off cover for easy access to ballast and wiring compartment.
- Fixtures are shipped with feed end caps. For continuous row mounting, simply remove end caps where luminaires meet, and use the internal coupler (provided) to make a seamless link.
- All units are UL & CUL LISTED damp locations.
- Consult factory for special miters, lamp spacing, curving and lamp base options.
- On continuous row fixtures the standard lamp centers is maintained and any difference in length is balanced out on each end.

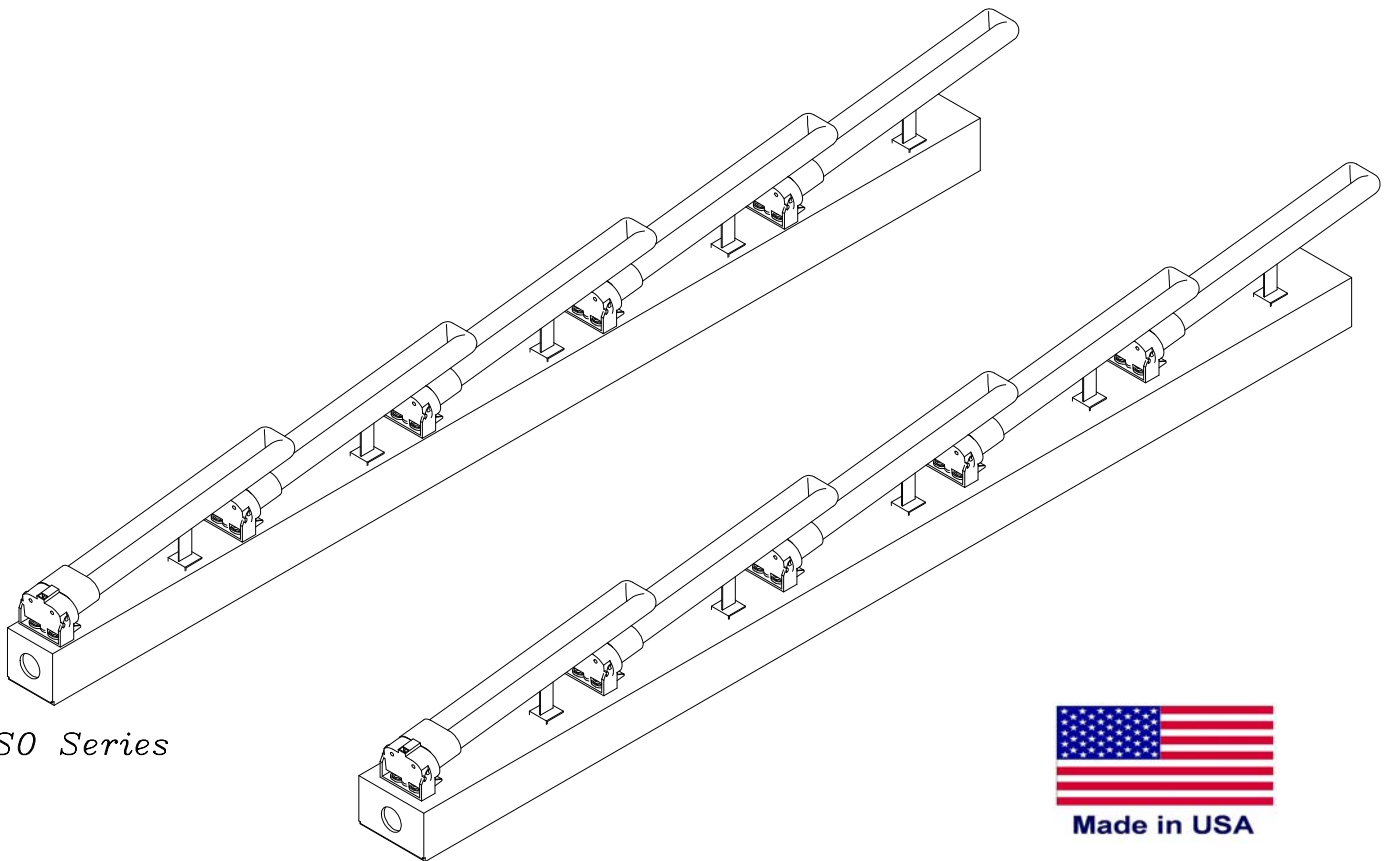
* If ordered with lamps, 3500k color temperature is standard, other lamp colors may be available.

<u>SINGLE UNIT CATALOG NO.</u>	<u>LENGTH</u>	<u>VOLTAGE</u>
32120SI	22.75 IN.	120
32127SI	22.75 IN.	277

<u>MULTIPLE UNIT CATALOG NO.</u>	<u>LENGTH (Specify)</u>	<u>VOLTAGE</u>
32120SI-X	____ FT. ____ IN.	120
32127SI-X	____ FT. ____ IN.	277

COVE LIGHTING STRAIGHT WITH OVERLAPPING LAMPS SECTION 3

Airey-Thompson cove lighting brings out the best in architectural details while providing glare-free illumination. Whether flooding a textured wall, tracking a stairway or ceiling, this system is designed for continuous light distribution with straight housing and overlapping lamps. Available for a variety of fluorescent lamps; dimming ballasts may be available for some lamps. All fixtures are low-maintenance extruded anodized aluminum, with custom finishes optional.



23S0 Series

32S0 Series

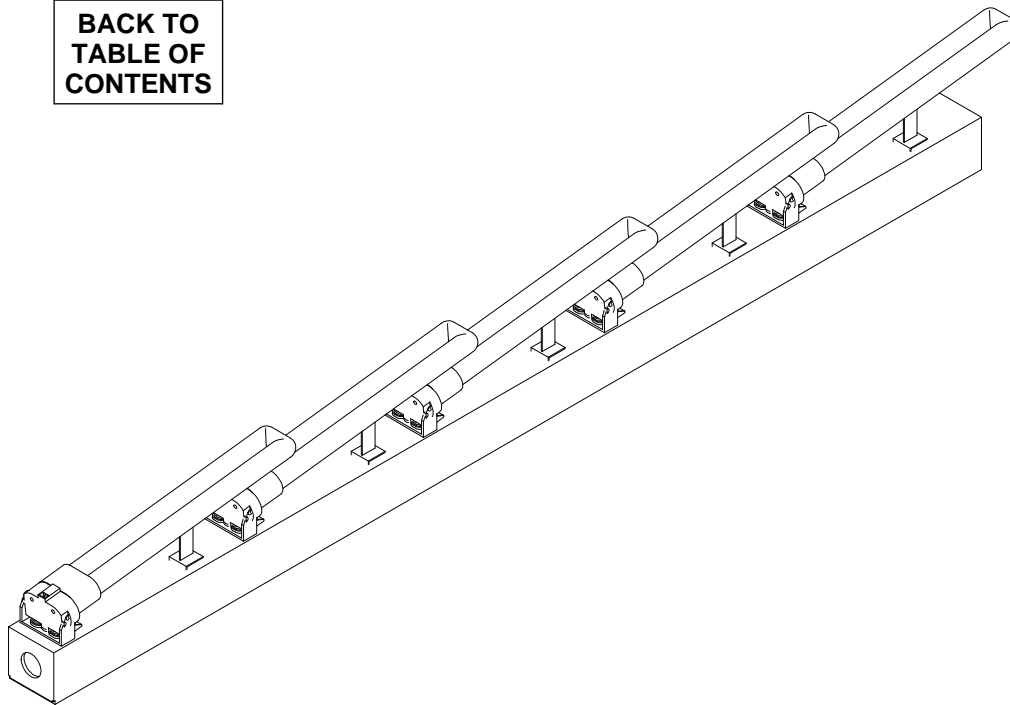


Engineered to meet the requirements of today's interiors, Airey-Thompson cove lighting is made to customer specified length so every piece fits your specific application. All fixtures are UL and CUL listed damp location. Many lamp types can be supplied with dimming ballasts. Questions on how cove lighting can illuminate your next project? Call today!



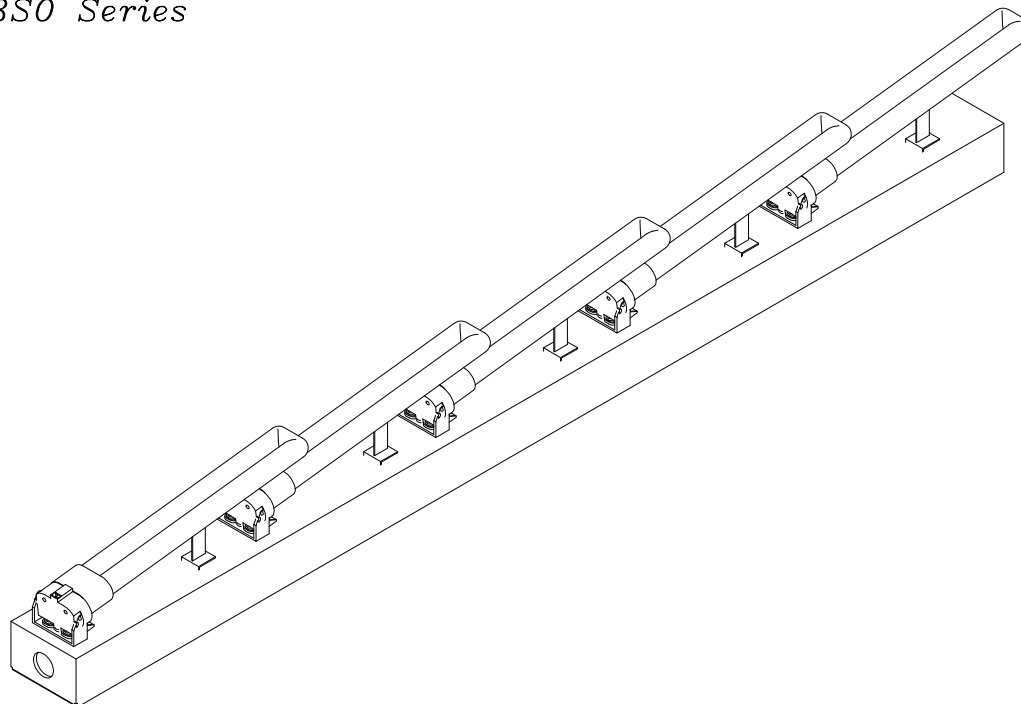
COVE LIGHTING STRAIGHT WITH OVERLAPPING LAMPS SECTION 3

**BACK TO
TABLE OF
CONTENTS**



23S0 Series

AVAILABLE LAMPS:
7/9 WATT 4 PIN TWIN TUBE
13 WATT 4 PIN TWIN TUBE
18 WATT TWIN TUBE
24/27 WATT TWIN TUBE
36/39 WATT TWIN TUBE
40 WATT TWIN TUBE
50 WATT TWIN TUBE
55 WATT TWIN TUBE



32S0 Series

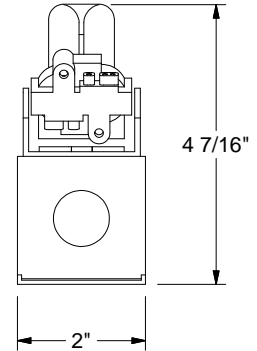
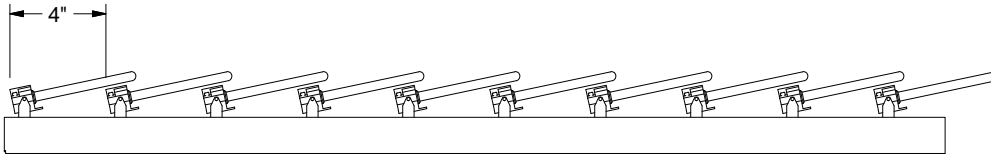
AVAILABLE LAMPS:
7/9 WATT 4 PIN TWIN TUBE
13 WATT 4 PIN TWIN TUBE
18 WATT TWIN TUBE
24/27 WATT TWIN TUBE
36/39 WATT TWIN TUBE
40 WATT TWIN TUBE
50 WATT TWIN TUBE
55 WATT TWIN TUBE



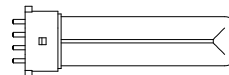
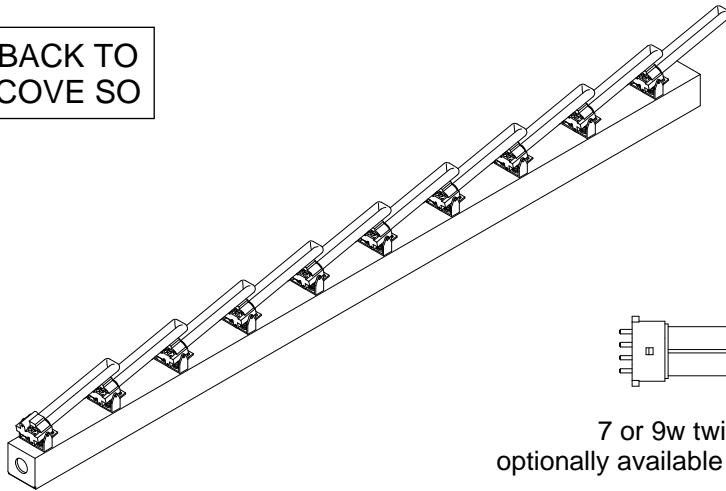
AIREY-THOMPSON™
Manufacturing Quality Luminaires

**23 SERIES
COVE LIGHTING
7/9W TWIN TUBE, 4 PIN LAMPS (2G7 BASE)
STRAIGHT WITH OVERLAPPING LAMPS**

Type: _____



BACK TO
COVE SO



7 or 9w twin 4-pin lamp
optionally available with lamps included*

SPECIFICATIONS

- Extruded 6063-T5 aluminum base and cover with .060 nominal wall thickness.
- Satin anodized aluminum finish. Custom finishes available on special request.
- Lamps mounted on 4.0 in. centers for continuous row fixture.
- Supplied with 2G7 lamp base.
- Overlapping lamps for continuous even light distribution.
- Snap off cover for easy access to ballast and wiring compartment.
- Fixtures are shipped with feed end caps. For continuous row mounting, simply remove end caps where luminaires meet, and use the internal coupler (provided) to make a seamless link.
- All units are UL & CUL LISTED damp locations.
- Electronic, High Power Factor, Instant Start ballast, is standard.
- Consult factory for special miters, lamp spacing, curving and lamp base options.
- On continuous row fixtures the standard lamp spacing is maintained and any difference in length is balanced out on each end.

* If ordered with lamps, 3500k color temp is standard, other colors may be available.

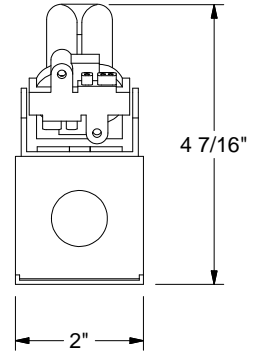
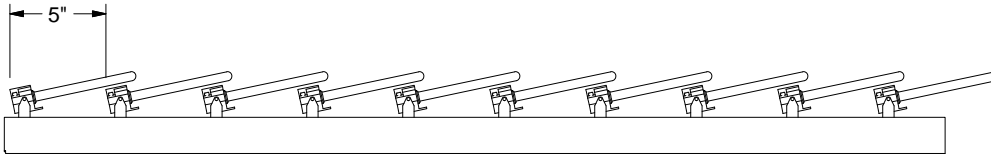
<u>MULTIPLE UNIT CATALOG NO.</u>	<u>LENGTH (Specify)</u>	<u>VOLTAGE</u>
23040SO-X	____ FT. ____ IN.	120
23047SO-X	____ FT. ____ IN.	277



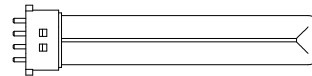
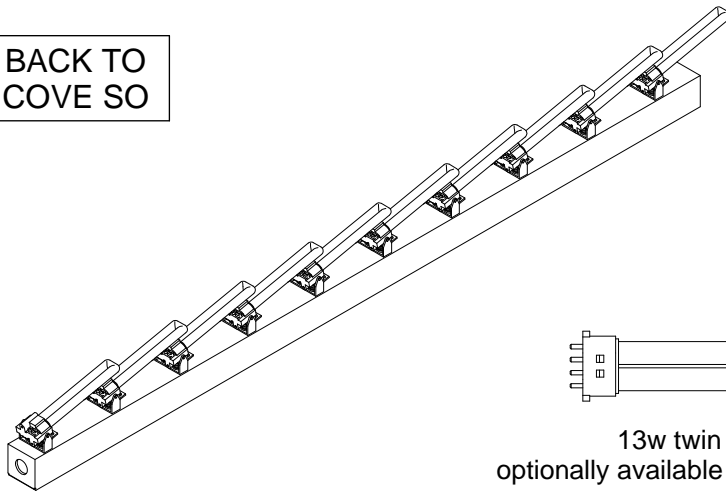
AIREY-THOMPSON™
Manufacturing Quality Luminaires

**23 SERIES
COVE LIGHTING
13W TWIN TUBE, 4 PIN LAMPS (2GX7 BASE)
STRAIGHT WITH OVERLAPPING LAMPS**

Type: _____



BACK TO
COVE SO



13w twin 4-pin lamp
optionally available with lamps included*



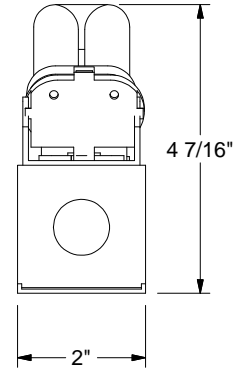
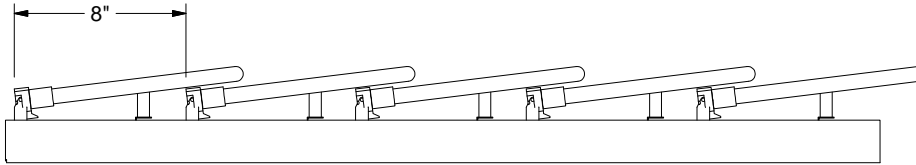
SPECIFICATIONS

- Extruded 6063-T5 aluminum base and cover with .060 nominal wall thickness.
- Satin anodized aluminum finish. Custom finishes available on special request.
- Lamps mounted on 5.0 in. centers for continuous row fixture.
- Supplied with 2GX7 lamp base.
- Overlapping lamps for continuous even light distribution.
- Snap off cover for easy access to ballast and wiring compartment.
- Fixtures are shipped with feed end caps. For continuous row mounting, simply remove end caps where luminaires meet, and use the internal coupler (provided) to make a seamless link.
- All units are UL & CUL LISTED damp locations.
- Electronic, High Power Factor, instant start ballast, is standard.
- Consult factory for special miters, lamp spacing, curving and lamp base options.
- On continuous row fixtures the standard lamp spacing is maintained and any difference in length is balanced out on each end.

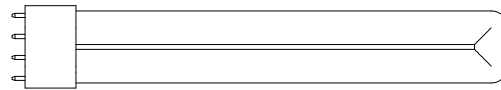
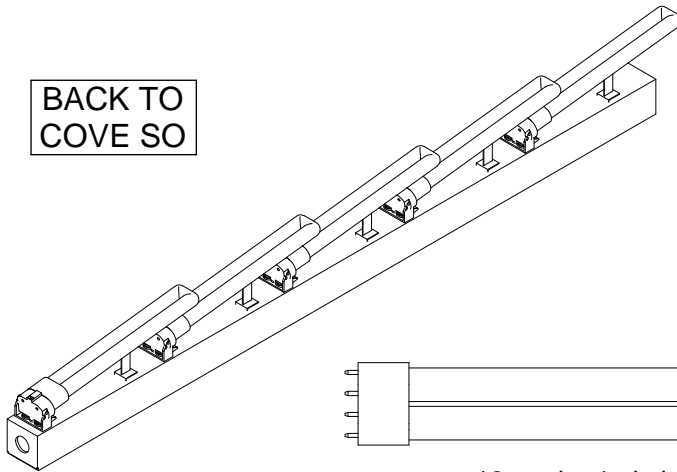
* If ordered with lamps, 3500k color temp is standard, other colors may be available.

<u>MULTIPLE UNIT CATALOG NO.</u>	<u>LENGTH (Specify)</u>	<u>VOLTAGE</u>
23050SO-X	____ FT. ____ IN.	120
23057SO-X	____ FT. ____ IN.	277

Type: _____



BACK TO
COVE SO



18w twin, 4-pin lamp
optionally available with lamps included*



SPECIFICATIONS

- Extruded 6063-T5 aluminum base and cover with .060 nominal wall thickness.
- Satin anodized aluminum finish. Custom finishes available on special request.
- Lamps mounted on 8.0 in. centers for continuous row fixture.
- Supplied with 2G11 lamp holder.
- Overlapping lamps for continuous even light distribution.
- Electronic, High Power Factor, instant start ballast, is standard.
- Snap off cover for easy access to ballast and wiring compartment.
- Fixtures are shipped with feed end caps. For continuous row mounting, simply remove end caps where luminaires meet, and use the internal coupler (provided) to make a seamless link.
- All units are UL & CUL LISTED damp locations.
- Consult factory for special miters, lamp spacing and lamp base options.
- On continuous row fixtures the standard lamp spacing is maintained and any difference in length is ballanced out on each end.

* If ordered with lamps, 3500k color temperature is standard, other lamp colors may be available.

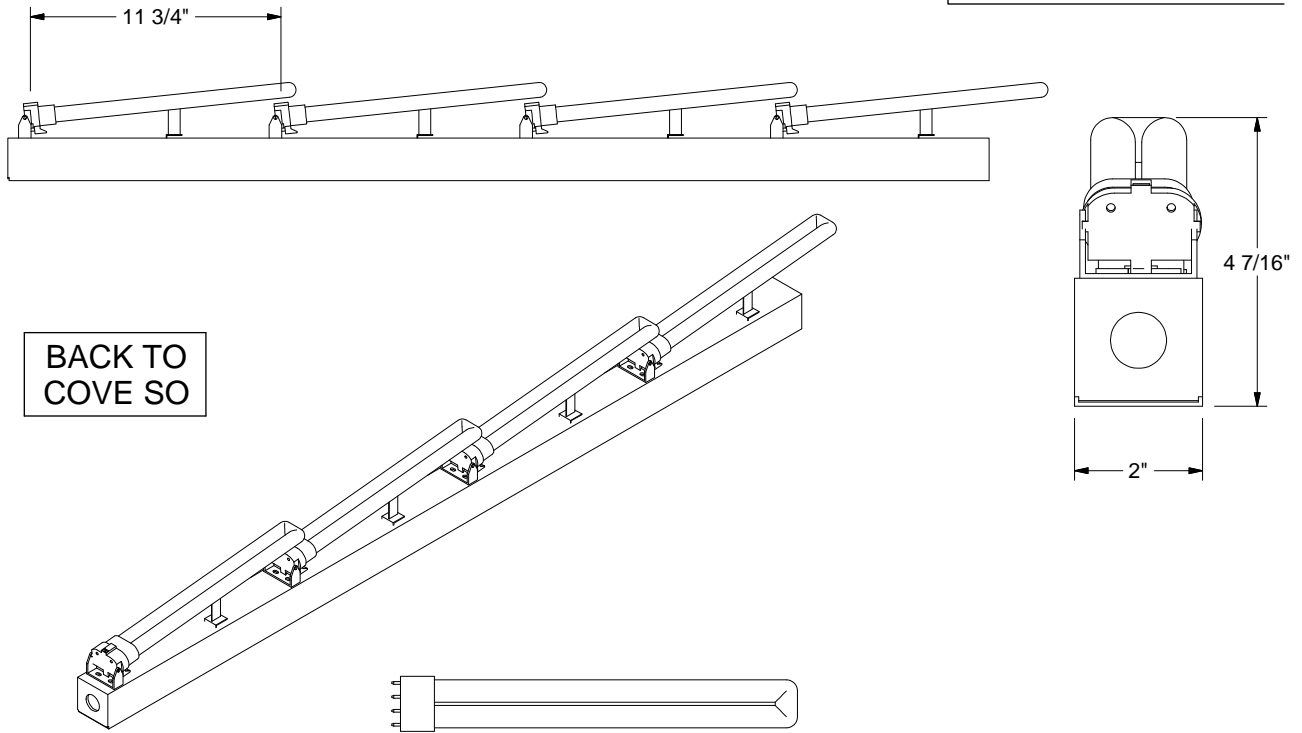
<u>MULTIPLE UNIT CATALOG NO.</u>	<u>LENGTH (Specify)</u>	<u>VOLTAGE</u>
23060SO-X	____ FT. ____ IN.	120
23067SO-X	____ FT. ____ IN.	277



AIREY-THOMPSON™
Manufacturing Quality Luminaires

**23 SERIES
COVE LIGHTING
24/27W TWIN TUBE, 4 PIN LAMPS (2G11 BASE)
STRAIGHT WITH OVERLAPPING LAMPS**

Type: _____



24 or 27w twin, 4-pin lamp
optionally available with lamps included*



SPECIFICATIONS

- Extruded 6063-T5 aluminum base and cover with .060 nominal wall thickness.
- Satin anodized aluminum finish. Custom finishes available on special request.
- Lamps mounted on 11.75 in. centers for continuous row fixture.
- Supplied with 2G11 lamp holder.
- Overlapping lamps for continuous even light distribution.
- Electronic, High Power Factor, instant start ballast, is standard.
- Snap off cover for easy access to ballast and wiring compartment.
- Fixtures are shipped with feed end caps. For continuous row mounting, simply remove end caps where luminaires meet, and use the internal coupler (provided) to make a seamless link.
- All units are UL & CUL LISTED damp locations.
- Consult factory for special miters, lamp spacing and lamp base options.
- On continuous row fixtures the standard lamp spacing is maintained and any difference in length is balanced out on each end.

* If ordered with lamps, 3500k color temperature is standard, other lamp colors may be available.

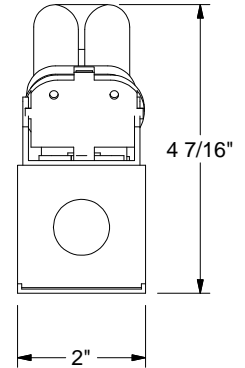
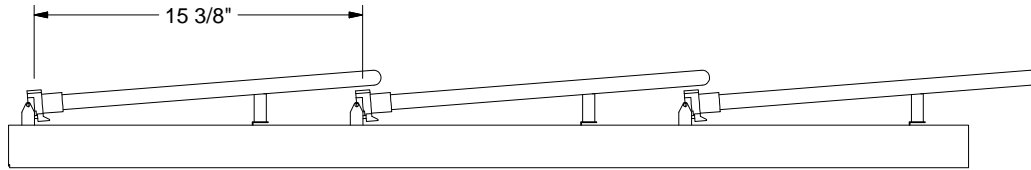
<u>MULTIPLE UNIT CATALOG NO.</u>	<u>LENGTH (Specify)</u>	<u>VOLTAGE</u>
23080SO-X	____ FT. ____ IN.	120
23087SO-X	____ FT. ____ IN.	277



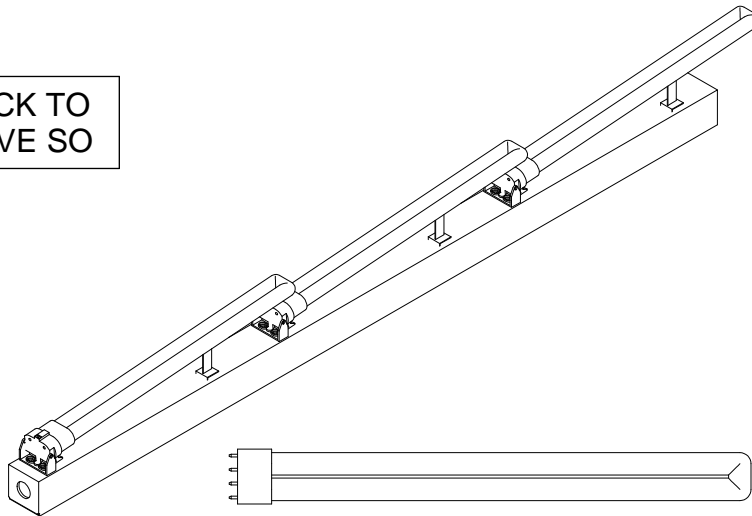
AIREY-THOMPSON™
Manufacturing Quality Luminaires

**23 SERIES
COVE LIGHTING
36/39W TWIN TUBE, 4 PIN LAMPS (2G11 BASE)
STRAIGHT WITH OVERLAPPING LAMPS**

Type: _____



BACK TO
COVE SO



36 or 39w twin, 4-pin lamp
optionally available with lamps included*



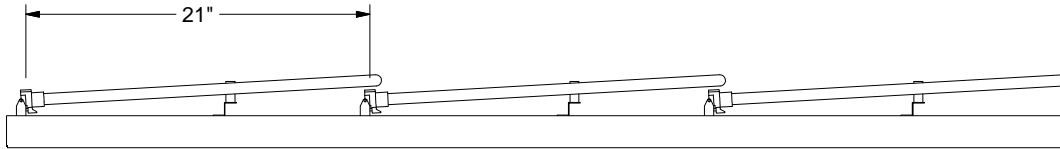
SPECIFICATIONS

- Extruded 6063-T5 aluminum base and cover with .060 nominal wall thickness.
- Satin anodized aluminum finish. Custom finishes available on special request.
- Lamps mounted on 15.4 in. centers for continuous row fixture.
- Supplied with 2G11 lamp holder.
- Overlapping lamps for continuous even light distribution.
- Electronic, High Power Factor, instant start ballast, is standard.
- Snap off cover for easy access to ballast and wiring compartment.
- Fixtures are shipped with feed end caps. For continuous row mounting, simply remove end caps where luminaires meet, and use the internal coupler (provided) to make a seamless link.
- All units are UL & CUL LISTED damp locations.
- Consult factory for special miters, lamp spacing and lamp base options.
- On continuous row fixtures the standard lamp spacing is maintained and any difference in length is balanced out on each end.

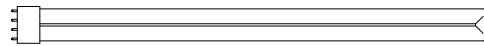
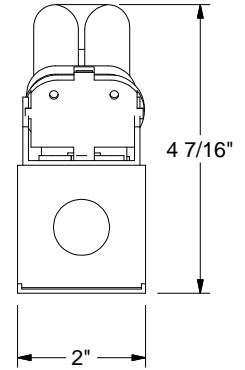
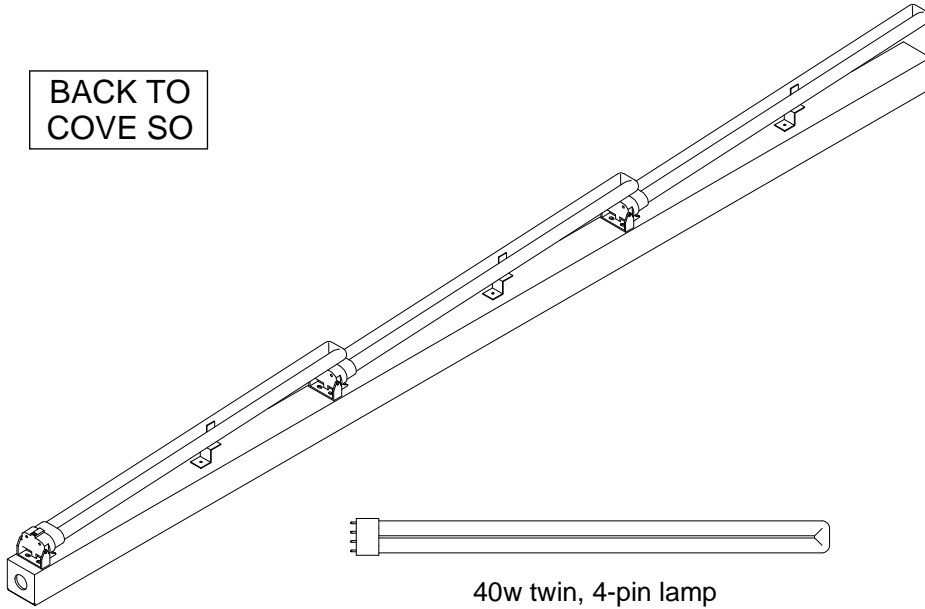
* If ordered with lamps, 3500k color temperature is standard, other lamp colors may be available.

<u>MULTIPLE UNIT CATALOG NO.</u>	<u>LENGTH (Specify)</u>	<u>VOLTAGE</u>
23090SO-X	____ FT. ____ IN.	120
23097SO-X	____ FT. ____ IN.	277

Type: _____



BACK TO
COVE SO



40w twin, 4-pin lamp
optionally available with lamps included*



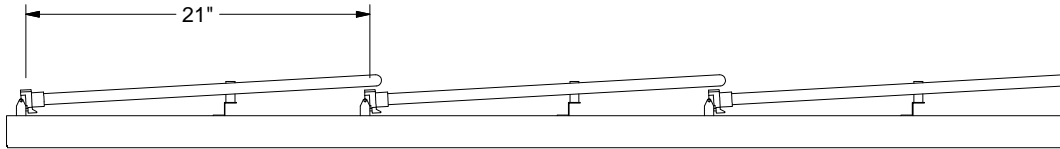
SPECIFICATIONS

- Extruded 6063-T5 aluminum base and cover with .060 nominal wall thickness.
- Satin anodized aluminum finish. Custom finishes available on special request.
- Lamps mounted on 21.0 in. centers for continuous row fixture.
- Supplied with 2G11 lamp holder.
- Overlapping lamps for continuous even light distribution.
- Electronic, High Power Factor, instant start ballast, is standard.
- Snap off cover for easy access to ballast and wiring compartment.
- Fixtures are shipped with feed end caps. For continuous row mounting, simply remove end caps where luminaires meet, and use the internal coupler (provided) to make a seamless link.
- All units are UL & CUL LISTED damp locations.
- Consult factory for special miters, lamp spacing and lamp base options.
- On continuous row fixtures the standard lamp spacing is maintained and any difference in length is balanced out on each end.

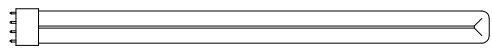
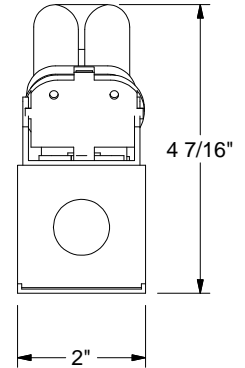
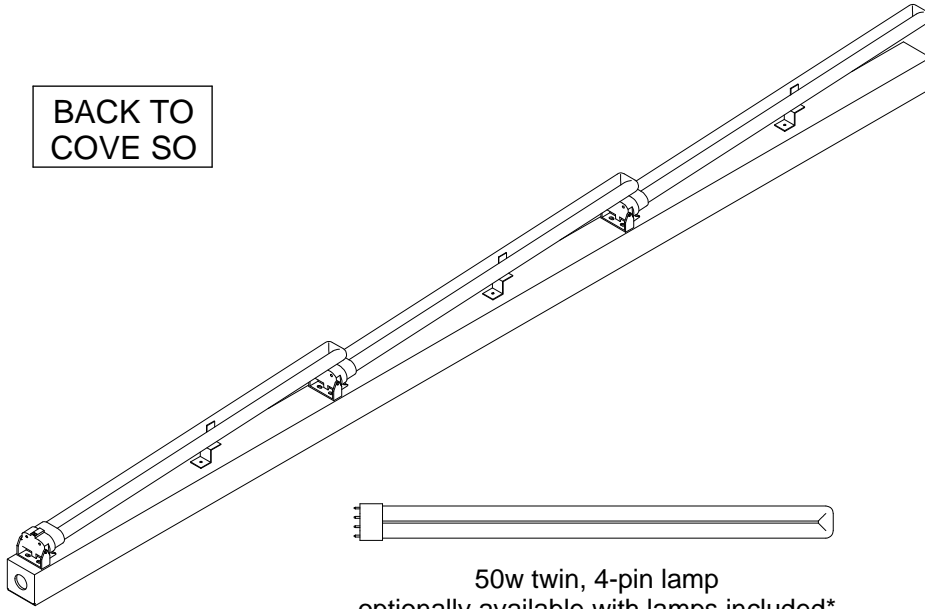
* If ordered with lamps, 3500k color temperature is standard, other lamp colors may be available.

<u>MULTIPLE UNIT CATALOG NO.</u>	<u>LENGTH (Specify)</u>	<u>VOLTAGE</u>
23100SO-X	____ FT. ____ IN.	120
23107SO-X	____ FT. ____ IN.	277

Type: _____



BACK TO
COVE SO



50w twin, 4-pin lamp
optionally available with lamps included*



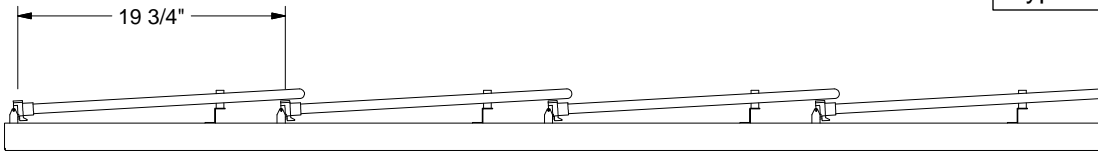
SPECIFICATIONS

- Extruded 6063-T5 aluminum base and cover with .060 nominal wall thickness.
- Satin anodized aluminum finish. Custom finishes available on special request.
- Lamps mounted on 21.0 in. centers for continuous row fixture.
- Supplied with 2G11 lamp holder.
- Overlapping lamps for continuous even light distribution.
- Electronic, High Power Factor, instant start ballast, is standard.
- Snap off cover for easy access to ballast and wiring compartment.
- Fixtures are shipped with feed end caps. For continuous row mounting, simply remove end caps where luminaires meet, and use the internal coupler (provided) to make a seamless link.
- All units are UL & CUL LISTED damp locations.
- Consult factory for special miters, lamp spacing and lamp base options.
- On continuous row fixtures the standard lamp spacing is maintained and any difference in length is balanced out on each end.

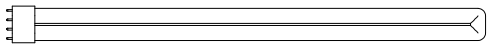
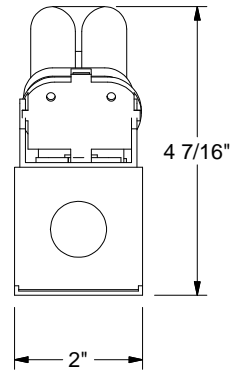
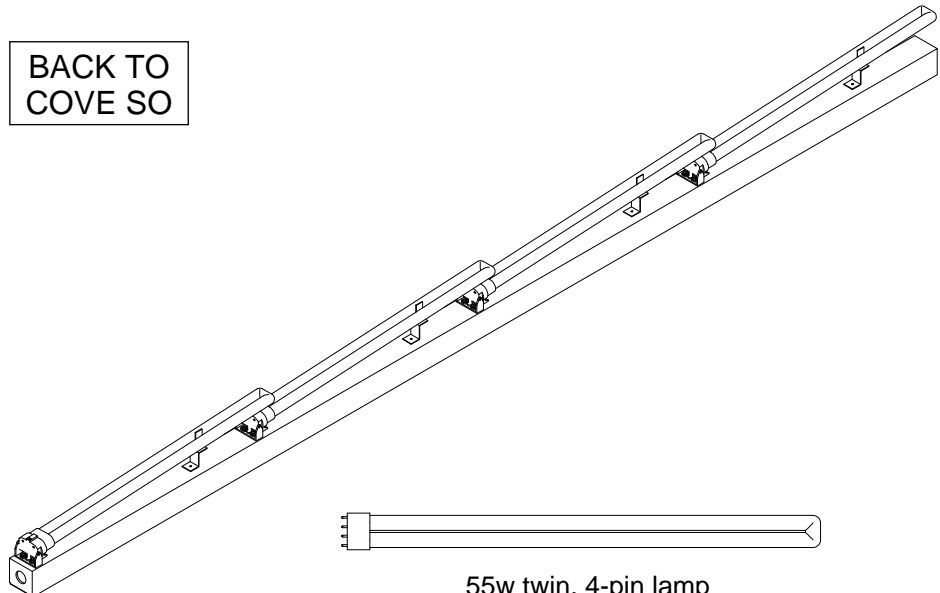
* If ordered with lamps, 3500k color temperature is standard, other lamp colors may be available.

<u>MULTIPLE UNIT CATALOG NO.</u>	<u>LENGTH (Specify)</u>	<u>VOLTAGE</u>
23110SO-X	____ FT. ____ IN.	120
23117SO-X	____ FT. ____ IN.	277

Type: _____



**BACK TO
COVE SO**



55w twin, 4-pin lamp
optionally available with lamps included*



SPECIFICATIONS

- Extruded 6063-T5 aluminum base and cover with .060 nominal wall thickness.
- Satin anodized aluminum finish. Custom finishes available on special request.
- Lamps mounted on 19.7 in. centers for continuous row fixture.
- Supplied with 2G11 lamp holder.
- Overlapping lamps for continuous even light distribution.
- Electronic, High Power Factor, instant start ballast, is standard.
- Snap off cover for easy access to ballast and wiring compartment.
- Fixtures are shipped with feed end caps. For continuous row mounting, simply remove end caps where luminaires meet, and use the internal coupler (provided) to make a seamless link.
- All units are UL & CUL LISTED damp locations.
- Consult factory for special miters, lamp spacing and lamp base options.
- On continuous row fixtures the standard lamp spacing is maintained and any difference in length is balanced out on each end.

* If ordered with lamps, 3500k color temperature is standard, other lamp colors may be available.

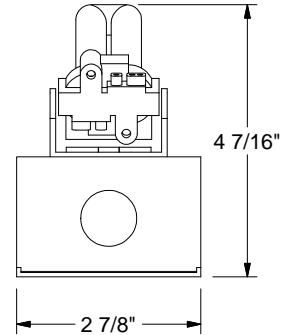
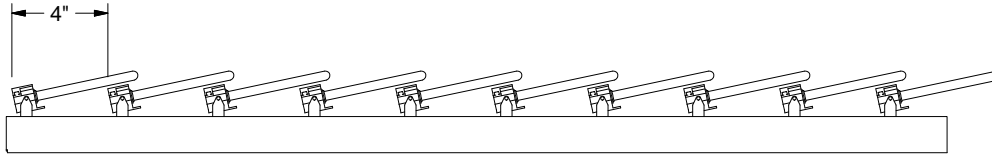
<u>MULTIPLE UNIT CATALOG NO.</u>	<u>LENGTH (Specify)</u>	<u>VOLTAGE</u>
23120SO-X	____ FT. ____ IN.	120
23127SO-X	____ FT. ____ IN.	277



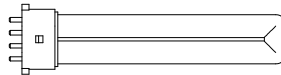
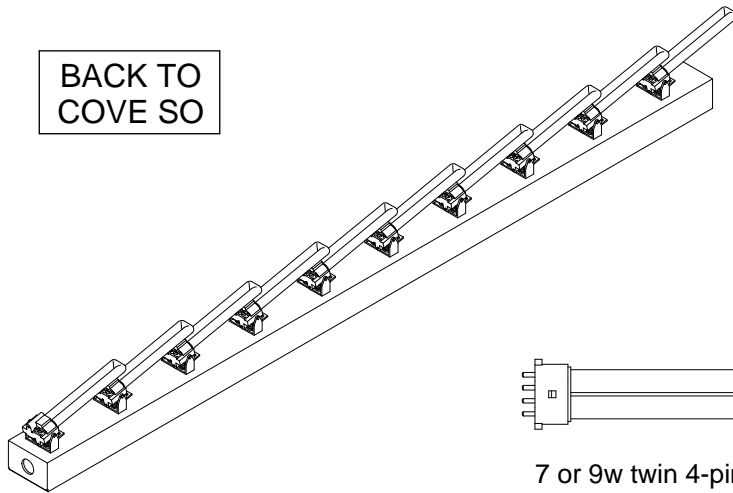
AIREY-THOMPSON™
Manufacturing Quality Luminaires

**32 SERIES
COVE LIGHTING
7/9W TWIN TUBE, 4 PIN (2G7 BASE)
STRAIGHT WITH OVERLAPPING LAMPS**

Type: _____



BACK TO
COVE SO



7 or 9w twin 4-pin lamp
optionally available with lamps included*



SPECIFICATIONS

- Extruded 6063-T5 aluminum base and cover with .060 nominal wall thickness.
- Satin anodized aluminum finish. Custom finishes available on special request.
- Lamps mounted on 4.0 in. centers for continuous row fixture.
- Supplied with 2G7 lamp base.
- Overlapping lamps for continuous even light distribution.
- Snap off cover for easy access to ballast and wiring compartment.
- Fixtures are shipped with feed end caps. For continuous row mounting, simply remove end caps where luminaires meet, and use the internal coupler (provided) to make a seamless link.
- All units are UL & CUL LISTED damp locations.
- Electronic, high power factor, instant start ballast is standard.
- Consult factory for special miters, lamp spacing, curving and lamp base options.
- On continuous row fixtures the standard lamp spacing is maintained and any difference in length is balanced out on each end.

* If ordered with lamps, 3500k color temp is standard, other colors may be available.

<u>MULTIPLE UNIT CATALOG NO.</u>	<u>LENGTH (Specify)</u>	<u>VOLTAGE</u>
32040SO-X	____ FT. ____ IN.	120
32047SO-X	____ FT. ____ IN.	277

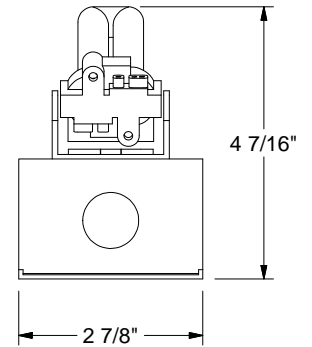
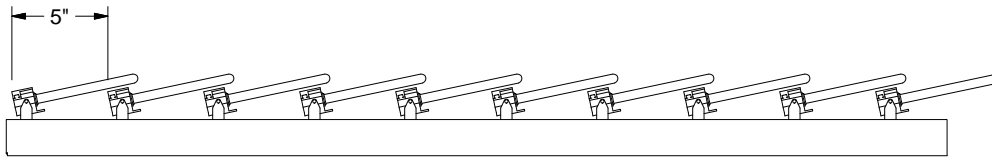


AIREY-THOMPSON™
Manufacturing Quality Luminaires

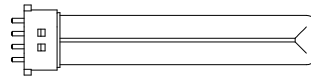
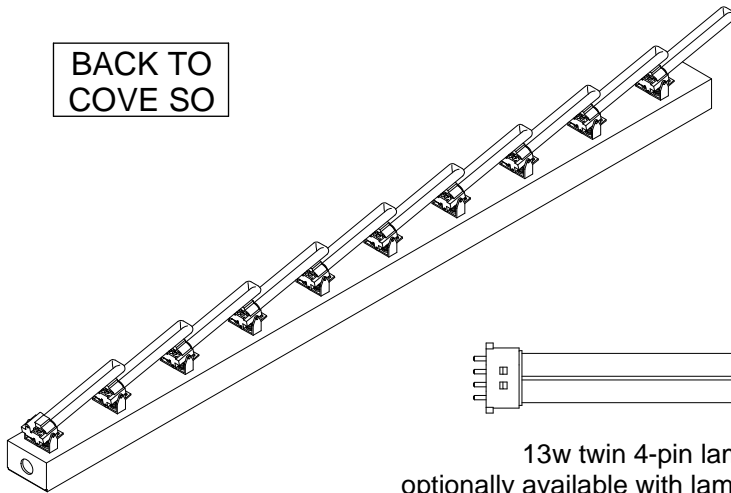
32 SERIES COVE LIGHTING

13W TWIN TUBE, 4 PIN (2GX7 BASE) STRAIGHT WITH OVERLAPPING LAMPS

Type: _____



BACK TO
COVE SO



13w twin 4-pin lamp
optionally available with lamps included*



SPECIFICATIONS

- Extruded 6063-T5 aluminum base and cover with .060 nominal wall thickness.
- Satin anodized aluminum finish. Custom finishes available on special request.
- Lamps mounted on 5.0 in. centers for continuous row fixture.
- Supplied with 2GX7 lamp base.
- Overlapping lamps for continuous even light distribution.
- Snap off cover for easy access to ballast and wiring compartment.
- Fixtures are shipped with feed end caps. For continuous row mounting, simply remove end caps where luminaires meet, and use the internal coupler (provided) to make a seamless link.
- All units are UL & CUL LISTED damp locations.
- Electronic, High Power Factor, instant start ballast is standard.
- Consult factory for special miters, lamp spacing, curving and lamp base options.
- On continuous row fixtures the standard lamp spacing is maintained and any difference in length is balanced out on each end.

* If ordered with lamps, 3500k color temp is standard, other colors may be available.

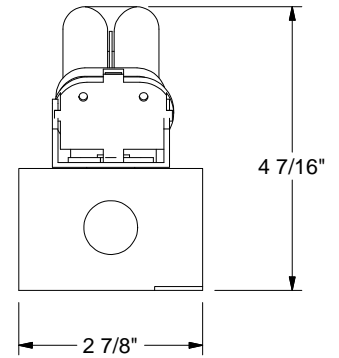
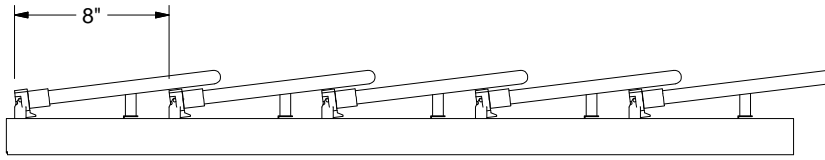
<u>MULTIPLE UNIT CATALOG NO.</u>	<u>LENGTH (Specify)</u>	<u>VOLTAGE</u>
32050SO-X	____ FT. ____ IN.	120
32057SO-X	____ FT. ____ IN.	277



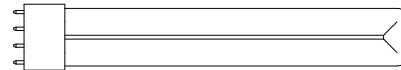
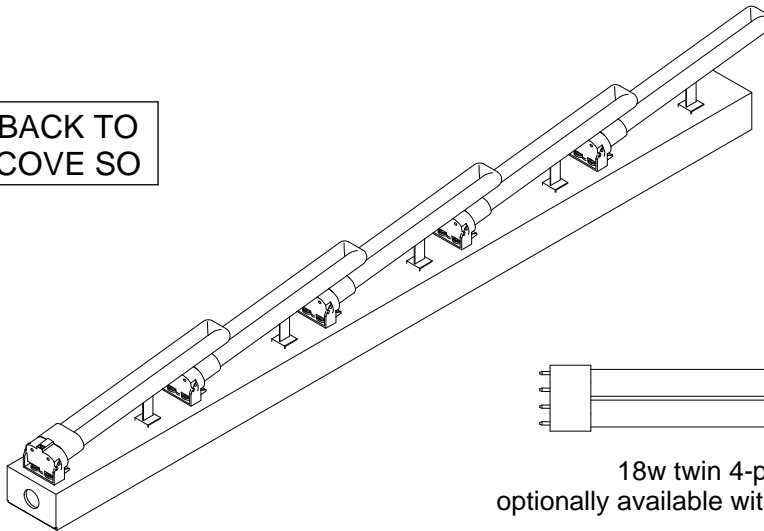
AIREY-THOMPSON™
Manufacturing Quality Luminaires

**32 SERIES
COVE LIGHTING
18W TWIN TUBE, 4 PIN LAMPS (2GX7 BASE)
STRAIGHT WITH OVERLAPPING LAMPS**

Type: _____



BACK TO
COVE SO



18w twin 4-pin lamp
optionally available with lamps included*



SPECIFICATIONS

- Extruded 6063-T5 aluminum base and cover with .060 nominal wall thickness.
- Satin anodized aluminum finish. Custom finishes available on special request.
- Lamps mounted on 8.0 in. centers for continuous row fixture.
- Supplied with 2G11 lamp base.
- Overlapping lamps for continuous even light distribution.
- Snap off cover for easy access to ballast and wiring compartment.
- Fixtures are shipped with feed end caps. For continuous row mounting, simply remove end caps where luminaires meet, and use the internal coupler (provided) to make a seamless link.
- All units are UL & CUL LISTED damp locations.
- Electronic, High Power Factor, instant start ballast, is standard.
- Consult factory for special miters, lamp spacing, curving and lamp base options.
- On continuous row fixtures the standard lamp spacing is maintained and any difference in length is balanced out on each end.

* If ordered with lamps, 3500k color temp is standard, other colors may be available.

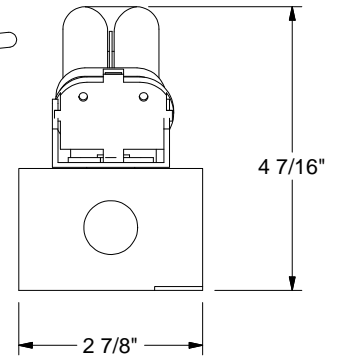
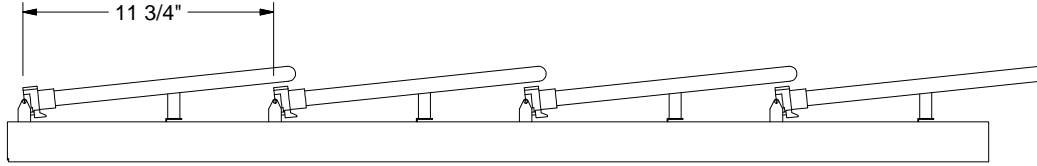
<u>MULTIPLE UNIT CATALOG NO.</u>	<u>LENGTH (Specify)</u>	<u>VOLTAGE</u>
32060SO-X	____ FT. ____ IN.	120
32067SO-X	____ FT. ____ IN.	277



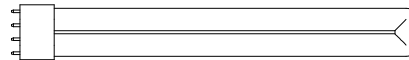
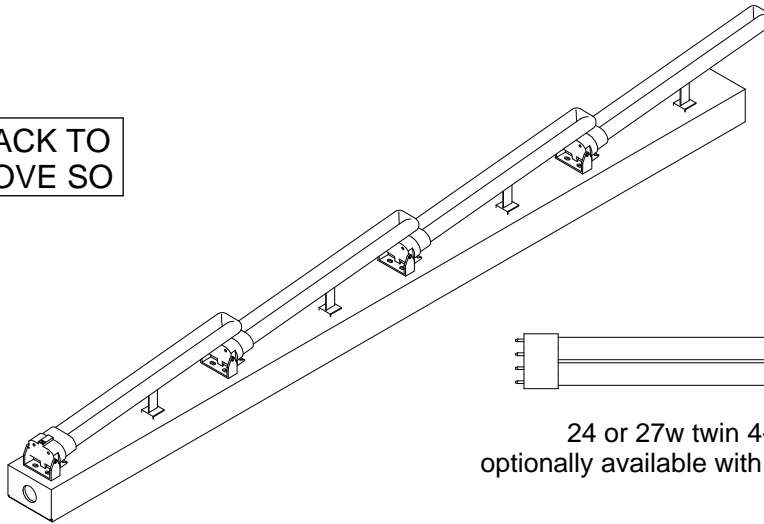
AIREY-THOMPSON™
Manufacturing Quality Luminaires

32-SERIES COVE LIGHTING 24/27W TWIN TUBE, 4 PIN LAMPS (2G11 BASE) STRAIGHT WITH OVERLAPPING LAMPS

Type: _____



BACK TO
 COVE SO



24 or 27w twin 4-pin lamp
 optionally available with lamps included*



SPECIFICATIONS

- Extruded 6063-T5 aluminum base and cover with .060 nominal wall thickness.
- Satin anodized aluminum finish. Custom finishes available on special request.
- Lamps mounted on 11.75 in. centers for continuous row fixture.
- Supplied with 2G11 lamp base.
- Overlapping lamps for continuous even light distribution.
- Snap off cover for easy access to ballast and wiring compartment.
- Fixtures are shipped with feed end caps. For continuous row mounting, simply remove end caps where luminaires meet, and use the internal coupler (provided) to make a seamless link.
- All units are UL & CUL LISTED damp locations.
- Electronic, High Power Factor, instant start ballast is standard.
- Consult factory for special miters, lamp spacing, curving and lamp base options.
- On continuous row fixtures the standard lamp spacing is maintained and any difference in length is balanced out on each end.

* If ordered with lamps, 3500k color temp is standard, other colors may be available.

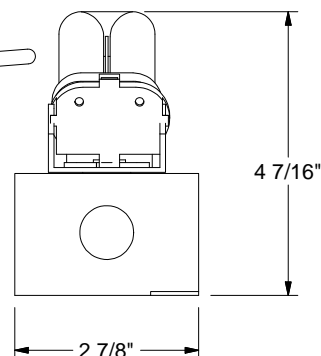
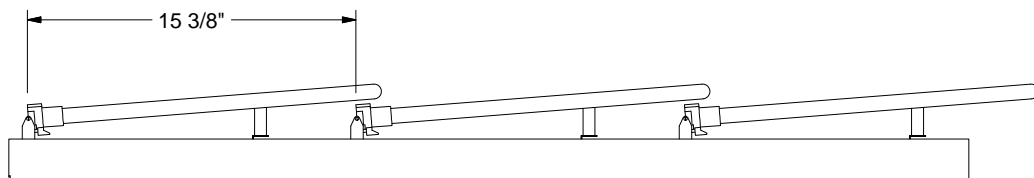
<u>MULTIPLE UNIT CATALOG NO.</u>	<u>LENGTH (Specify)</u>	<u>VOLTAGE</u>
32080SO-X	____ FT. ____ IN.	120
32087SO-X	____ FT. ____ IN.	277



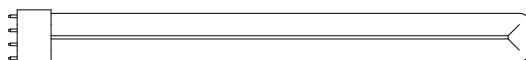
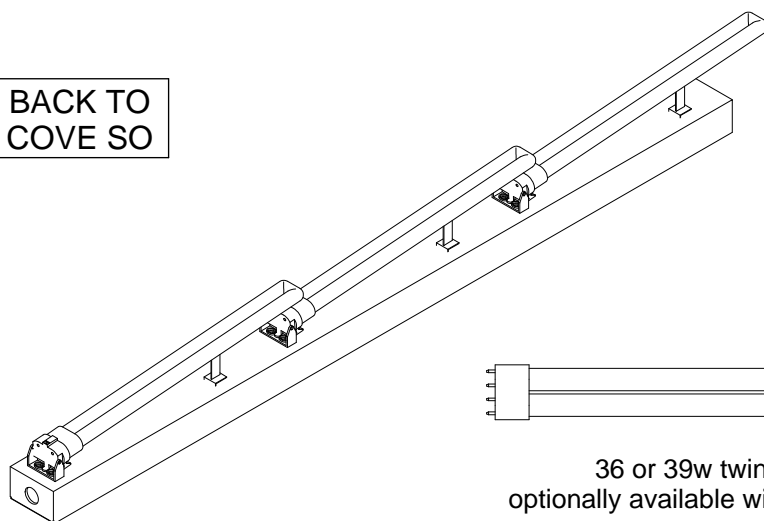
AIREY-THOMPSON™
Manufacturing Quality Luminaires

32-SERIES COVE LIGHTING STRAIGHT WITH OVERLAPPING LAMPS

Type: _____



BACK TO
 COVE SO



36 or 39w twin 4-pin lamp
 optionally available with lamps included*



SPECIFICATIONS

- Extruded 6063-T5 aluminum base and cover with .060 nominal wall thickness.
- Satin anodized aluminum finish. Custom finishes available on special request.
- Lamps mounted on 15.4 in. centers for continuous row fixture.
- Supplied with 2G11 lamp base.
- Overlapping lamps for continuous even light distribution.
- Snap off cover for easy access to ballast and wiring compartment.
- Fixtures are shipped with feed end caps. For continuous row mounting, simply remove end cap where luminaires meet, and use the internal coupler (provided) to make a seamless link.
- All units are UL & CUL LISTED damp locations.
- Electronic, High Power Factor, instant start ballast, is standard.
- Consult factory for special miters, lamp spacing, curving and lamp base options.
- On continuous row fixtures the standard lamp spacing is maintained and any difference in length is balanced out on each end.

* If ordered with lamps, 3500k color temp is standard, other colors may be available.

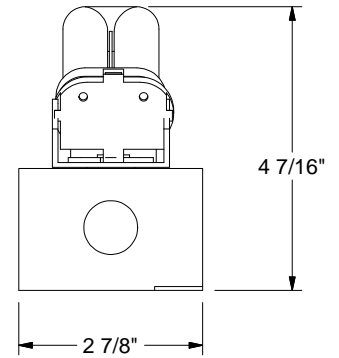
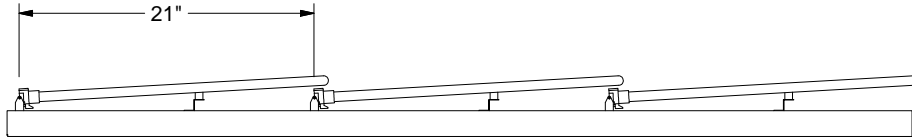
<u>MULTIPLE UNIT CATALOG NO.</u>	<u>LENGTH (Specify)</u>	<u>VOLTAGE</u>
32090SO-X	____ FT. ____ IN.	120
32097SO-X	____ FT. ____ IN.	277



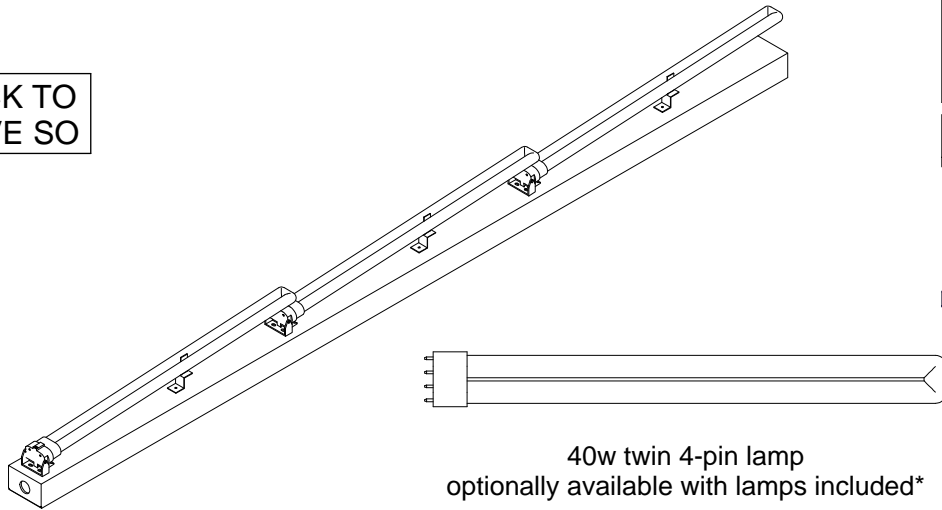
AIREY-THOMPSON™
Manufacturing Quality Luminaires

**32 SERIES
COVE LIGHTING
40W TWIN TUBE, 4 PIN LAMPS (2G11 BASE)
STRAIGHT WITH OVERLAPPING LAMPS**

Type: _____



BACK TO
COVE SO



40w twin 4-pin lamp
optionally available with lamps included*



SPECIFICATIONS

- Extruded 6063-T5 aluminum base and cover with .060 nominal wall thickness.
- Satin anodized aluminum finish. Custom finishes available on special request.
- Lamps mounted on 21.0 in. centers for continuous row fixture.
- Supplied with 2G11 lamp base.
- Overlapping lamps for continuous even light distribution.
- Snap off cover for easy access to ballast and wiring compartment.
- Fixtures are shipped with feed end caps. For continuous row mounting, simply remove end caps where luminaires meet, and use the internal coupler (provided) to make a seamless link.
- All units are UL & CUL LISTED damp locations.
- Electronic, High Power Factor, instant start ballast, is standard.
- Consult factory for special miters, lamp spacing, curving and lamp base options.
- On continuous row fixtures the standard lamp spacing is maintained and any difference in length is balanced out on each end.

* If ordered with lamps, 3500k color temp is standard, other colors may be available.

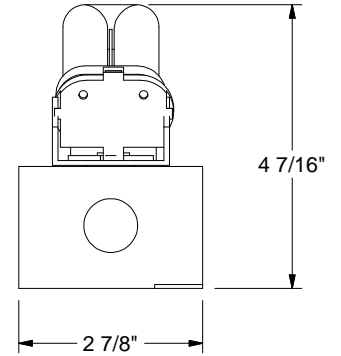
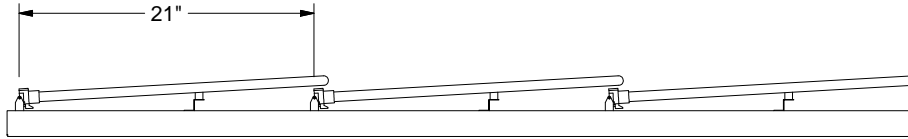
<u>MULTIPLE UNIT CATALOG NO.</u>	<u>LENGTH (Specify)</u>	<u>VOLTAGE</u>
32100SO-X	____ FT. ____ IN.	120
32107SO-X	____ FT. ____ IN.	277



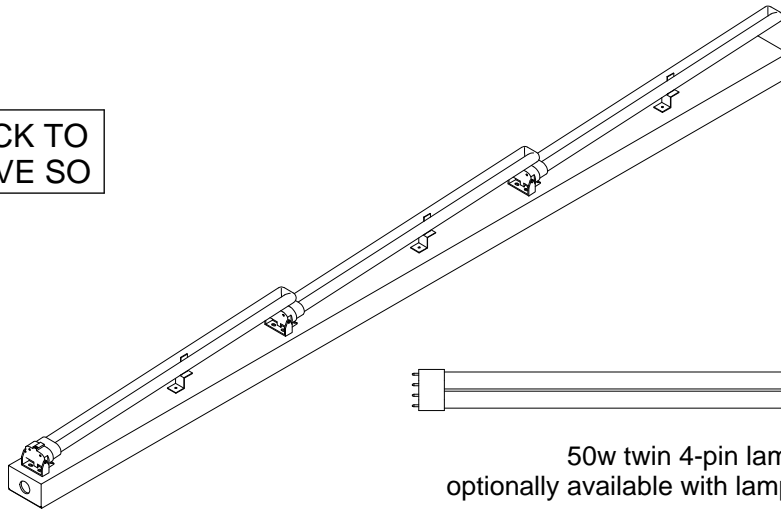
AIREY-THOMPSON™
Manufacturing Quality Luminaires

**32 SERIES
COVE LIGHTING
50W TWIN TUBE, 4 PIN LAMPS (2G11 BASE)
STRAIGHT WITH OVERLAPPING LAMPS**

Type: _____



BACK TO
COVE SO



50w twin 4-pin lamp
optionally available with lamps included*



SPECIFICATIONS

- Extruded 6063-T5 aluminum base and cover with .060 nominal wall thickness.
- Satin anodized aluminum finish. Custom finishes available on special request.
- Lamps mounted on 21.0 in. centers for continuous row fixture.
- Supplied with 2G11 lamp base.
- Overlapping lamps for continuous even light distribution.
- Snap off cover for easy access to ballast and wiring compartment.
- Fixtures are shipped with feed end caps. For continuous row mounting, simply remove end caps where luminaires meet, and use the internal coupler (provided) to make a seamless link.
- All units are UL & CUL LISTED damp locations.
- Electronic, High Power Factor, instant start ballast, is standard.
- Consult factory for special miters, lamp spacing, curving and lamp base options.
- On continuous row fixtures the standard lamp spacing is maintained and any difference in length is balanced out on each end.

* If ordered with lamps, 3500k color temp is standard, other colors may be available.

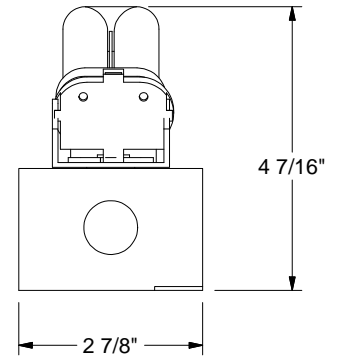
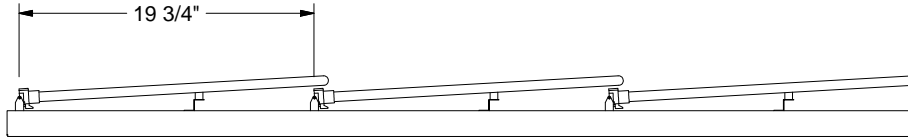
<u>MULTIPLE UNIT CATALOG NO.</u>	<u>LENGTH (Specify)</u>	<u>VOLTAGE</u>
32110SO-X	____ FT. ____ IN.	120
32117SO-X	____ FT. ____ IN.	277



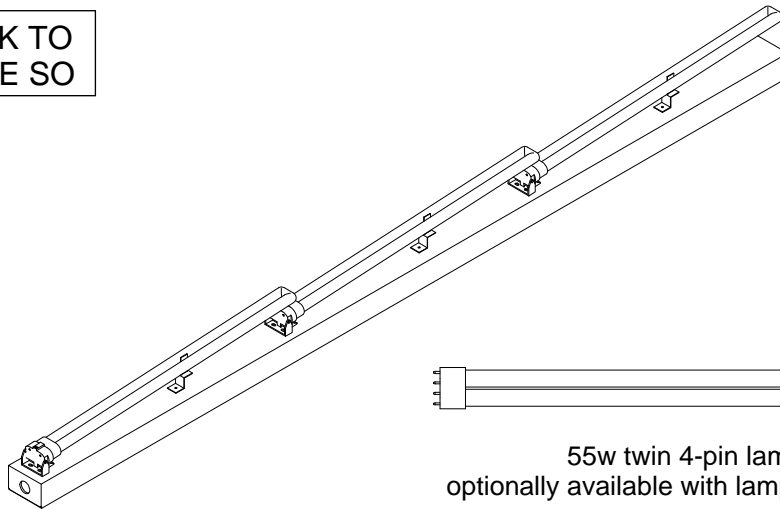
AIREY-THOMPSON™
Manufacturing Quality Luminaires

**32 SERIES
COVE LIGHTING
55W TWIN TUBE, 4 PIN LAMPS (2G11 BASE)
STRAIGHT WITH OVERLAPPING LAMPS**

Type: _____



BACK TO
COVE SO



55w twin 4-pin lamp
optionally available with lamps included*



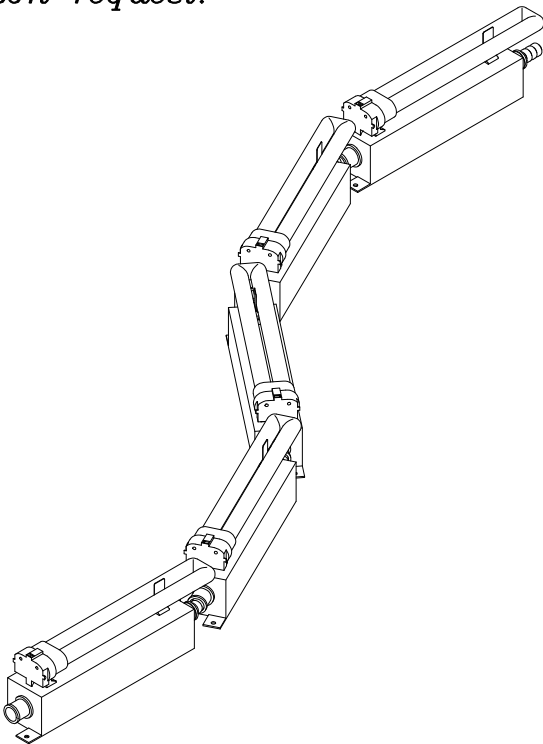
SPECIFICATIONS

- Extruded 6063-T5 aluminum base and cover with .060 nominal wall thickness.
- Satin anodized aluminum finish. Custom finishes available on special request.
- Lamps mounted on 19.7 in. centers for continuous row fixture.
- Supplied with 2G11 lamp base.
- Overlapping lamps for continuous even light distribution.
- Snap off cover for easy access to ballast and wiring compartment.
- Fixtures are shipped with feed end caps. For continuous row mounting, simply remove end caps where luminaires meet, and use the internal coupler (provided) to make a seamless link.
- All units are UL & CUL LISTED damp locations.
- Electronic, High Power Factor, instant start ballast, is standard.
- Consult factory for special miters, lamp spacing, curving and lamp base options.
- On continuous row fixtures the standard lamp spacing is maintained and any difference in length is balanced out on each end.

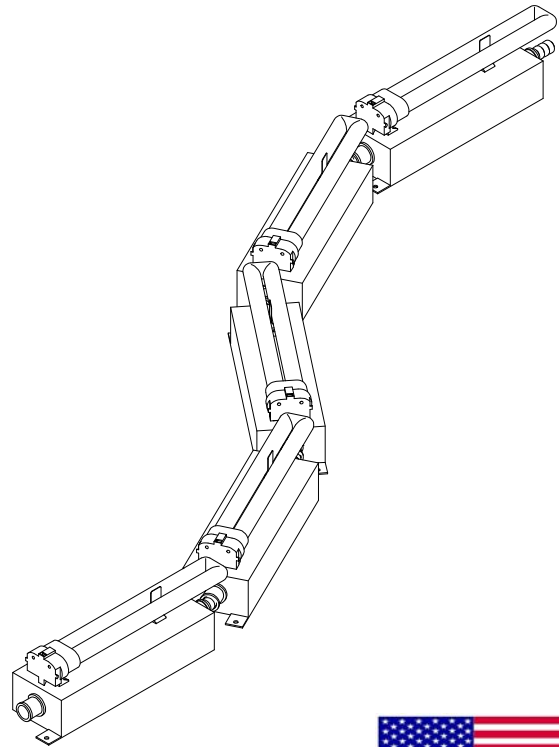
* If ordered with lamps, 3500k color temp is standard, other colors may be available.

<u>MULTIPLE UNIT CATALOG NO.</u>	<u>LENGTH (Specify)</u>	<u>VOLTAGE</u>
32120SO-X	____ FT. ____ IN.	120
32127SO-X	____ FT. ____ IN.	277

Airey-Thompson cove lighting brings out the best in architectural details while providing glare-free illumination. Whether flooding a textured wall or tracking a stairway or ceiling's curves, this system is designed for flexibility, with housing modules, aluminum flex and in-line lamps. Luminaires available for a variety of lamps; dimming ballasts may be available for some lamps. All fixtures are low-maintenance extruded anodized aluminum with custom finishes upon request.



23FI Series



32FI Series

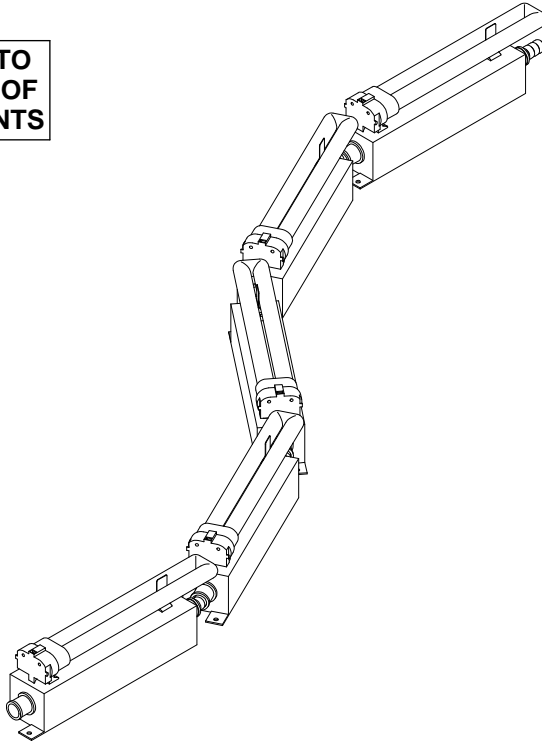


Engineered to meet the requirements of today's interiors, Airey-Thompson cove lighting is made to customer specified length so every piece fits your specific application, and can be field curved to architectural requirements. All fixtures are UL and CUL listed damp location. Many lamp types can be supplied with dimming ballasts. Questions on how cove lighting can illuminate your next project? Call today!



COVE LIGHTING FLEXIBLE WITH IN-LINE LAMPS SECTION 4

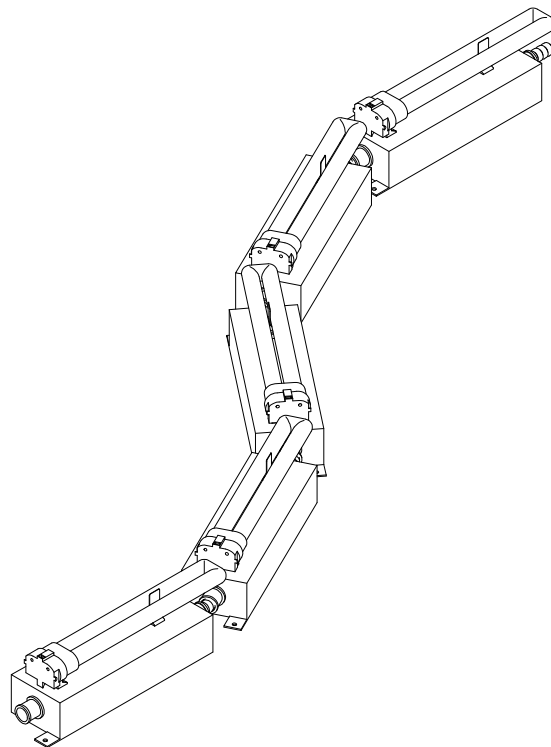
**BACK TO
TABLE OF
CONTENTS**



23FI Series

AVAILABLE LAMPS:

7/9 WATT 4 PIN TWIN TUBE
13 WATT 4 PIN TWIN TUBE
18 WATT TWIN TUBE
26 WATT QUAD TUBE
24/27 WATT TWIN TUBE
36/39 WATT TWIN TUBE
40 WATT TWIN TUBE
50 WATT TWIN TUBE
55 WATT TWIN TUBE



32FI Series

AVAILABLE LAMPS:

7/9 WATT 4 PIN TWIN TUBE
13 WATT 4 PIN TWIN TUBE
18 WATT TWIN TUBE
26 WATT QUAD TUBE
24/27 WATT TWIN TUBE
36/39 WATT TWIN TUBE
40 WATT TWIN TUBE
50 WATT TWIN TUBE
55 WATT TWIN TUBE



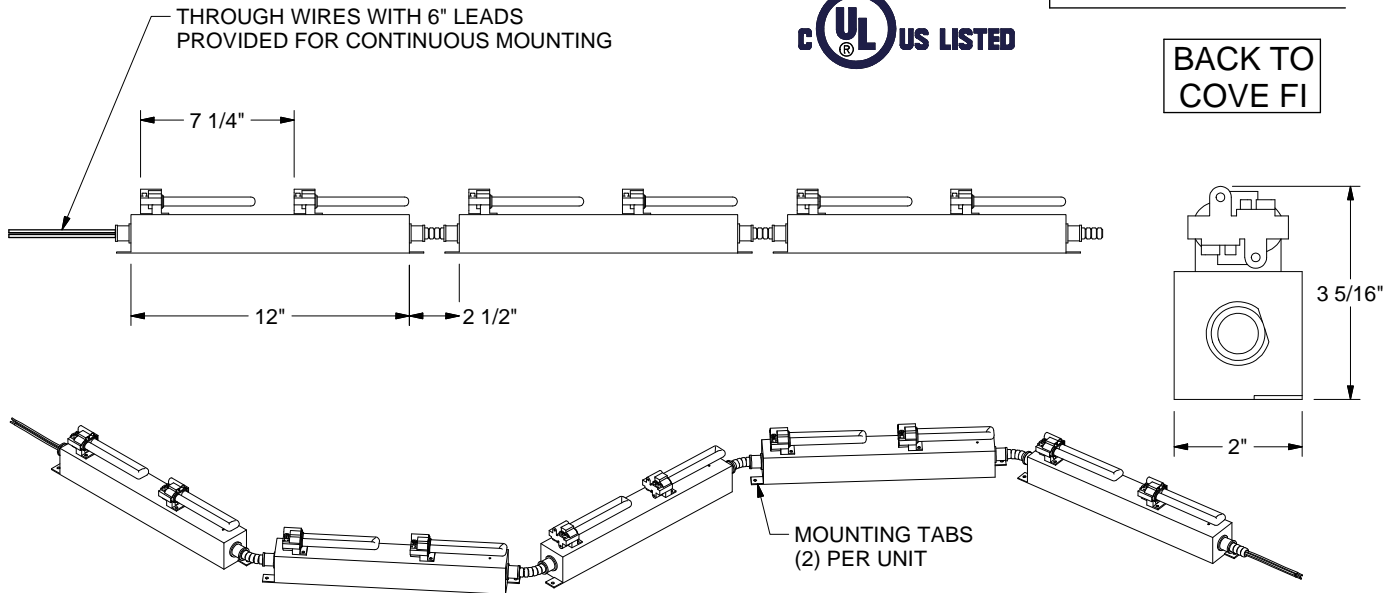
AIREY-THOMPSON™
Manufacturing Quality Luminaires

23 SERIES COVE LIGHTING (2 LAMP MODULE) 7/9W TWIN TUBE, 4 PIN LAMPS (2G7 BASE) FIELD FLEXIBLE WITH IN-LINE LAMPS

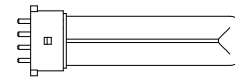
Type: _____



BACK TO
COVE FI



16" MINIMUM INSIDE RADIUS
20" MINIMUM OUTSIDE RADIUS
NOTE: THE SMALLER THE RADIUS THE WIDER
THE COVE SPACE MAY NEED TO BE TO
ACCOMMODATE THE STRAIGHT SECTIONS
OF HOUSING.



7 or 9w twin, 4-pin lamp
optionally available with lamps included*

SPECIFICATIONS

- Extruded 6063-T5 aluminum base and cover with .060 nominal wall thickness.
 - Satin anodized and mill aluminum finish. Custom finishes available on special request.
 - Lamps mounted on 7.25 in. centers for continuous row fixture, however greater custom spacing is available.
 - Supplied with 2G7 lamp holder.
 - In-line lamp configurations for continuous light distribution.
 - Easy installation with end cap mounting tabs.
 - Snap off cover for easy access to ballast and wiring compartment.
 - All units are UL & CUL LISTED dry locations.
 - Electronic, high power factor, instant start ballast is standard.
 - Consult factory for special miters, lamp spacing and lamp base options.
- * If ordered with lamps, 3500k color temp is standard, other lamp colors may be available.

<u>MULTIPLE UNIT CATALOG NO.</u>	<u>LENGTH (Specify)</u>	<u>VOLTAGE</u>
23040FI-X	____ FT. ____ IN.	120
23047FI-X	____ FT. ____ IN.	277



AIREY-THOMPSON™
Manufacturing Quality Luminaires

23 SERIES

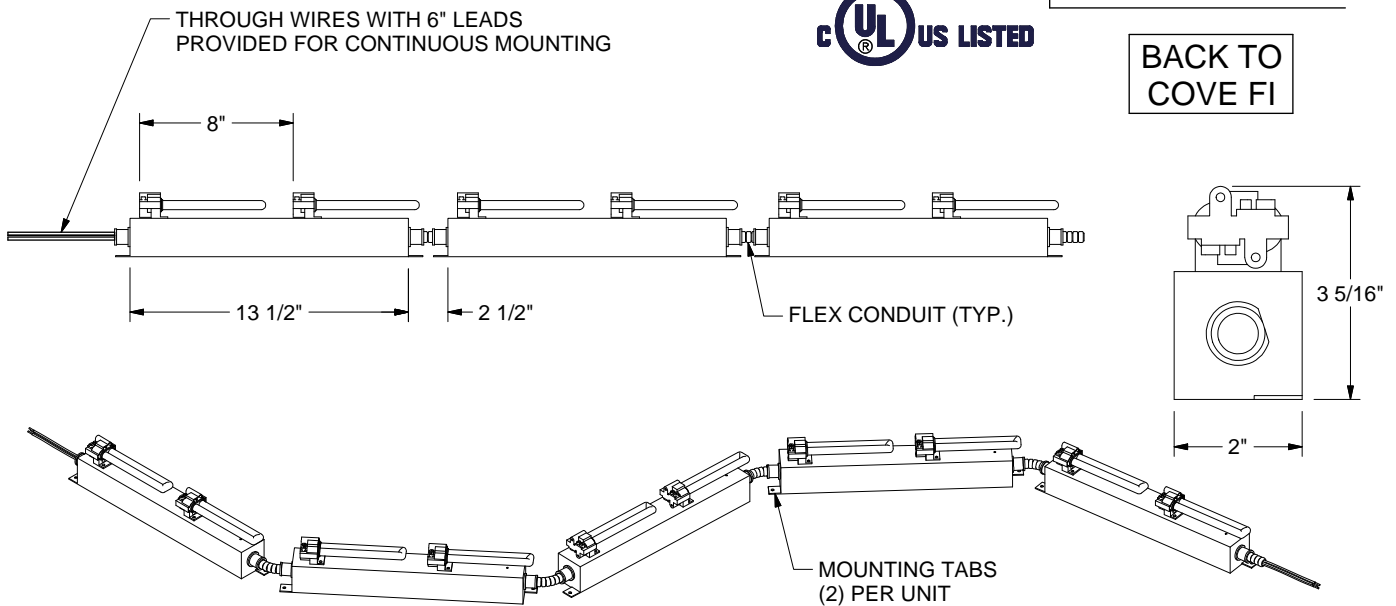
COVE LIGHTING (2 LAMP MODULE)

13W TWIN TUBE, 4 PIN LAMPS (2GX7 LAMPS)
FIELD FLEXIBLE WITH IN-LINE LAMPS

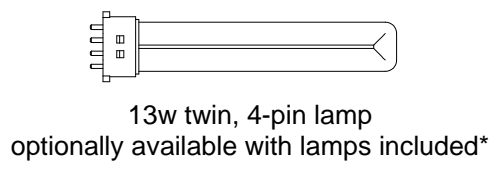
Type: _____



BACK TO
COVE FI



18" MINIMUM INSIDE RADIUS
22" MINIMUM OUTSIDE RADIUS
NOTE: THE SMALLER THE RADIUS THE WIDER
THE COVE SPACE MAY NEED TO BE TO
ACCOMMODATE THE STRAIGHT SECTIONS
OF HOUSING.



SPECIFICATIONS

- Extruded 6063-T5 aluminum base and cover with .060 nominal wall thickness.
 - Satin anodized and mill aluminum finish. Custom finishes available on special request.
 - Lamps mounted on 8.0 in. centers for continuous row fixture, however greater custom spacing is available.
 - Supplied with 2GX7 lamp holder.
 - In-line lamp configurations for continuous light distribution.
 - Easy installation with end cap mounting tabs.
 - Snap off cover for easy access to ballast and wiring compartment.
 - All units are UL & CUL LISTED dry locations.
 - Electronic, high power factor, instant start ballast is standard.
 - Consult factory for special miters, lamp spacing and lamp base options.
- * If ordered with lamps, 3500k color temp is standard, other lamp colors may be available.

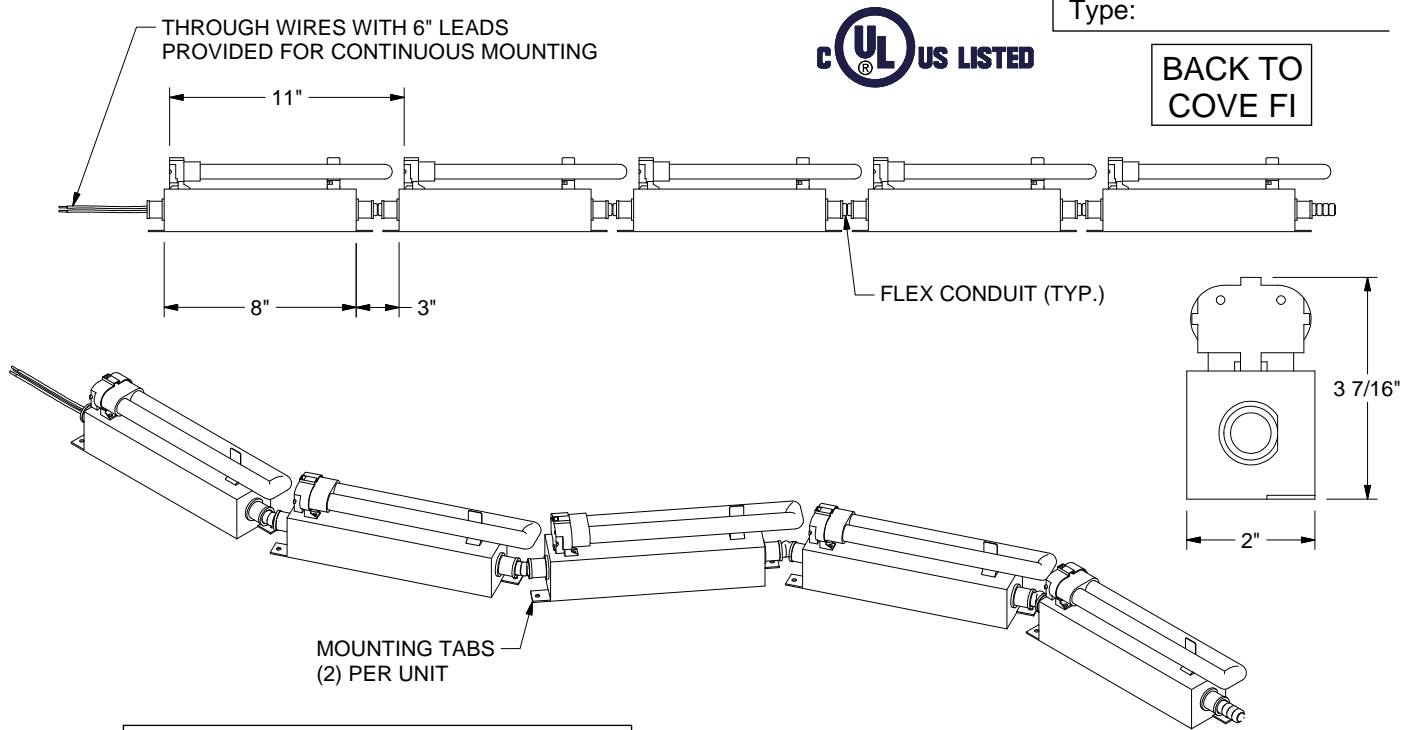
<u>MULTIPLE UNIT CATALOG NO.</u>	<u>LENGTH (Specify)</u>	<u>VOLTAGE</u>
23050FI-X	____ FT. ____ IN.	120
23057FI-X	____ FT. ____ IN.	277



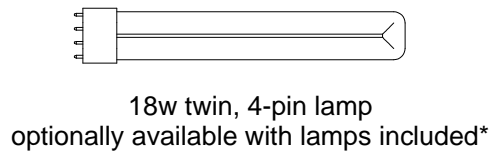
AIREY-THOMPSON
Manufacturing Quality Luminaires

23 SERIES COVE LIGHTING

18W TWIN TUBE, 4 PIN LAMPS(2G11 BASE)
FIELD FLEXIBLE WITH IN-LINE LAMPS



12" MINIMUM INSIDE RADIUS
16" MINIMUM OUTSIDE RADIUS
NOTE: THE SMALLER THE RADIUS THE WIDER THE COVE SPACE MAY NEED TO BE TO ACCOMMODATE THE STRAIGHT SECTIONS OF HOUSING.



SPECIFICATIONS

- Extruded 6063-T5 aluminum base and cover with .060 nominal wall thickness.
 - Satin anodized and mill aluminum finish. Custom finishes available on special request.
 - Lamps mounted on 11 in. centers for continuous row fixture, however greater custom spacing is available.
 - Supplied with 2G11 lamp holder.
 - Electronic, High Power Factor, instant start ballast, is standard.
 - In-line lamp configurations for continuous light distribution.
 - Easy installation with end cap mounting tabs.
 - Snap off cover for easy access to ballast and wiring compartment.
 - All units are UL & CUL LISTED dry locations.
 - Consult factory for special miters, lamp spacing and lamp base options.
- * If ordered with lamps, 3500k color temperature is standard, other lamp colors may be available.

<u>MULTIPLE UNIT CATALOG NO.</u>	<u>LENGTH (Specify)</u>	<u>VOLTAGE</u>
23060FI-X	____ FT. ____ IN.	120
23067FI-X	____ FT. ____ IN.	277



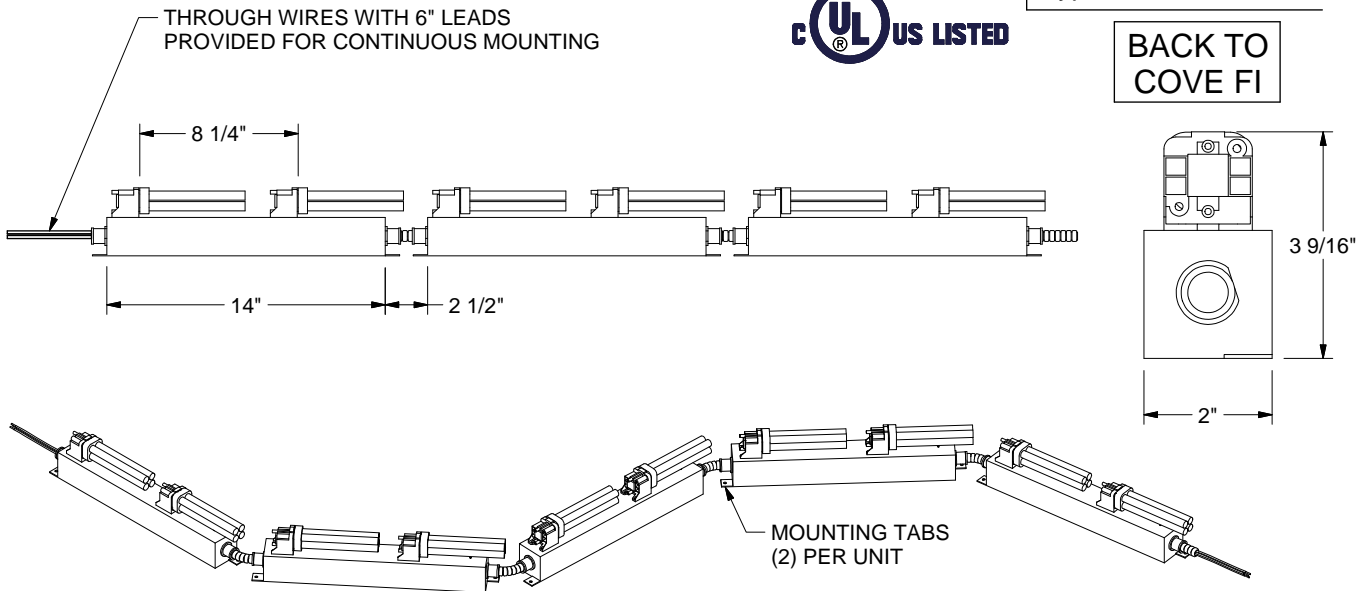
AIREY-THOMPSON™
Manufacturing Quality Luminaires

23 SERIES COVE LIGHTING (2 LAMP MODULE) 26W QUAD TUBE, 4 PIN LAMPS (G24q-3 BASE) FIELD FLEXIBLE WITH IN-LINE LAMPS

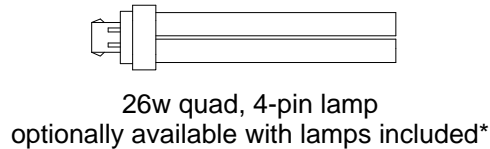
Type: _____



BACK TO
COVE FI



18" MINIMUM INSIDE RADIUS
22" MINIMUM OUTSIDE RADIUS
NOTE: THE SMALLER THE RADIUS THE WIDER THE COVE SPACE MAY NEED TO BE TO ACCOMODATE THE STRAIGHT SECTIONS OF HOUSING.



SPECIFICATIONS

- Extruded 6063-T5 aluminum base and cover with .060 nominal wall thickness.
 - Satin anodized and mill aluminum finish. Custom finishes available on special request.
 - Lamps mounted on 8.25 in. centers for continuous row fixture, however greater custom spacing is available.
 - Supplied with G24q-3 lamp holder.
 - In-line lamp configurations for continuous light distribution.
 - Easy installation with end cap mounting tabs.
 - Snap off cover for easy access to ballast and wiring compartment.
 - All units are UL & CUL LISTED dry locations.
 - Electronic, high power factor, instant start ballast is standard.
 - Consult factory for special miters, lamp spacing and lamp base options.
- * If ordered with lamps, 3500k color temp is standard, other lamp colors may be available.

<u>MULTIPLE UNIT CATALOG NO.</u>	<u>LENGTH (Specify)</u>	<u>VOLTAGE</u>
23070FI-X	____ FT. ____ IN.	120
23077FI-X	____ FT. ____ IN.	277

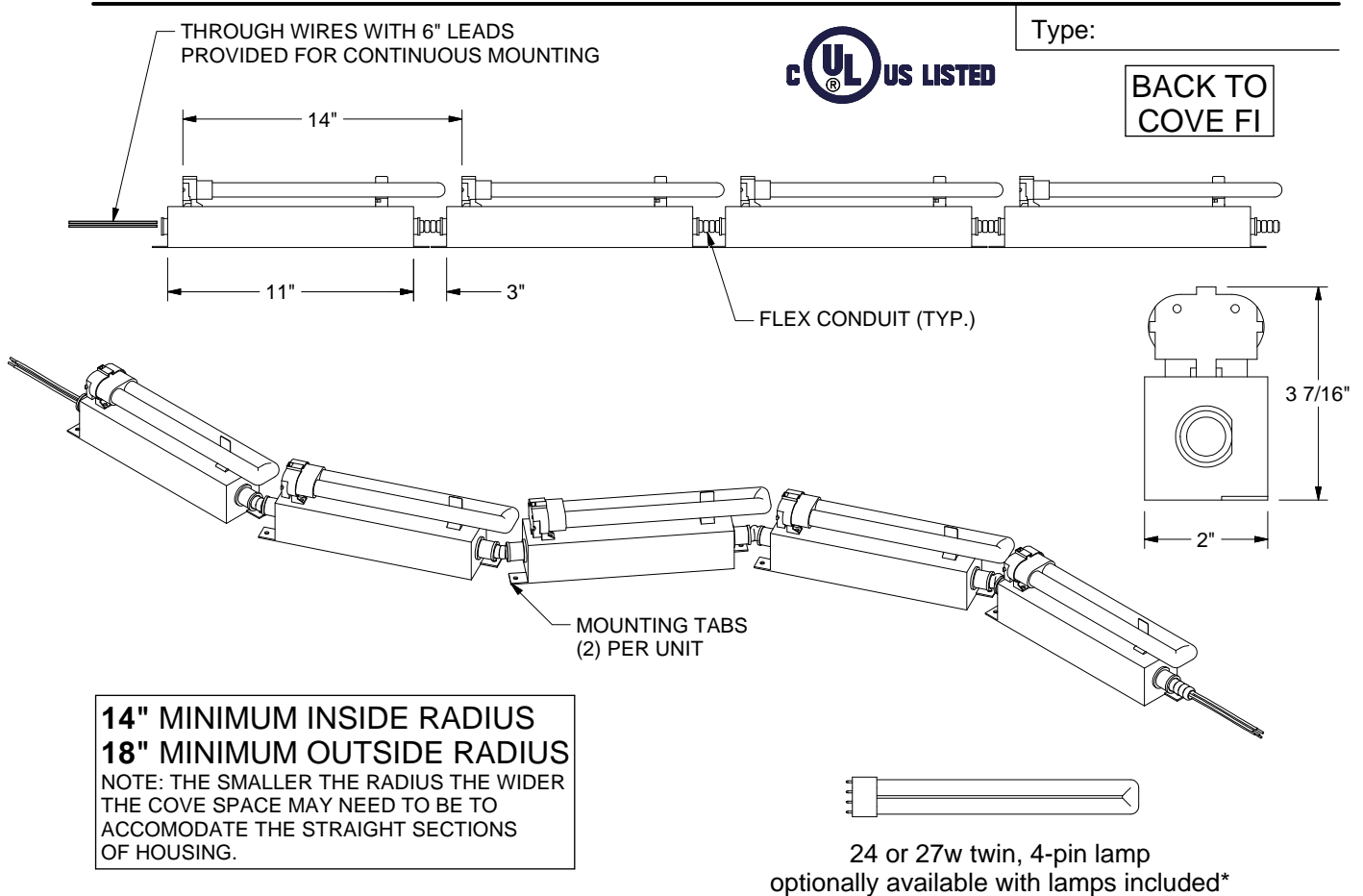


AIREY-THOMPSON™
Manufacturing Quality Luminaires

23 SERIES COVE LIGHTING

24/27W TWIN TUBE, 4 PIN LAMPS (2G11 BASE)

FIELD FLEXIBLE WITH IN-LINE LAMPS



14" MINIMUM INSIDE RADIUS
18" MINIMUM OUTSIDE RADIUS
NOTE: THE SMALLER THE RADIUS THE WIDER THE COVE SPACE MAY NEED TO BE TO ACCOMMODATE THE STRAIGHT SECTIONS OF HOUSING.

24 or 27w twin, 4-pin lamp
optionally available with lamps included*

SPECIFICATIONS

- Extruded 6063-T5 aluminum base and cover with .060 nominal wall thickness.
 - Satin anodized and mill aluminum finish. Custom finishes available on special request.
 - Lamps mounted on 14 in. centers for continuous row fixture, however greater custom spacing is available.
 - Supplied with 2G11 lamp holder.
 - Electronic, High Power Factor, instant start ballast, is standard.
 - In-line lamp configurations for continuous light distribution.
 - Easy installation with end cap mounting tabs.
 - Snap off cover for easy access to ballast and wiring compartment.
 - All units are UL & CUL LISTED dry locations.
 - Consult factory for special miters, lamp spacing and lamp base options.
- * If ordered with lamps, 3500k color temperature is standard, other lamp colors may be available.

<u>MULTIPLE UNIT CATALOG NO.</u>	<u>LENGTH (Specify)</u>	<u>VOLTAGE</u>
23080FI-X	____ FT. ____ IN.	120
23087FI-X	____ FT. ____ IN.	277



AIREY-THOMPSON™
Manufacturing Quality Luminaires

23 SERIES COVE LIGHTING

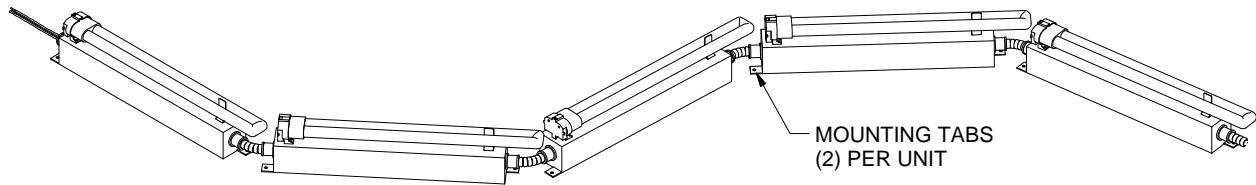
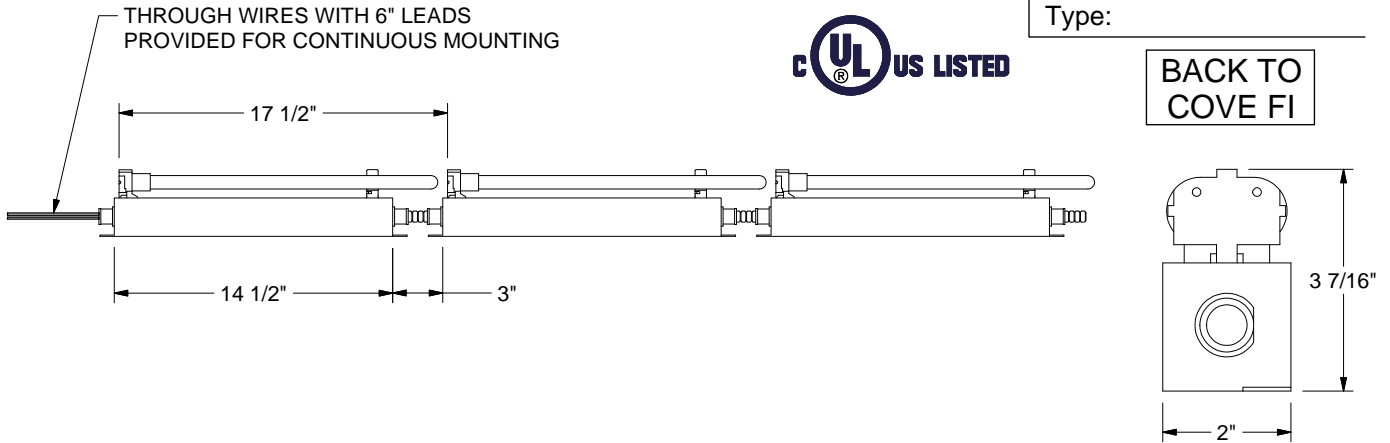
36/39W TWIN TUBE, 4 PIN LAMPS (2G11 BASE)

FIELD FLEXIBLE WITH IN-LINE LAMPS

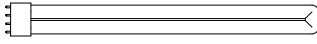
Type:



BACK TO
COVE FI



18" MINIMUM INSIDE RADIUS
22" MINIMUM OUTSIDE RADIUS
NOTE: THE SMALLER THE RADIUS THE WIDER THE COVE SPACE MAY NEED TO BE TO ACCOMMODATE THE STRAIGHT SECTIONS OF HOUSING.



36 or 39w twin, 4-pin lamp
optionally available with lamps included*

SPECIFICATIONS

- Extruded 6063-T5 aluminum base and cover with .060 nominal wall thickness.
 - Satin anodized and mill aluminum finish. Custom finishes available on special request.
 - Lamps mounted on 17.5 in. centers for continuous row fixture, however greater custom spacing is available.
 - Supplied with 2G11 lamp holder.
 - Electronic, High Power Factor, instant start ballast, is standard.
 - In-line lamp configurations for continuous light distribution.
 - Easy installation with end cap mounting tabs.
 - Snap off cover for easy access to ballast and wiring compartment.
 - All units are UL & CUL LISTED dry locations.
 - Consult factory for special miters, lamp spacing and lamp base options.
- * If ordered with lamps, 3500k color temperature is standard, other lamp colors may be available.

<u>MULTIPLE UNIT CATALOG NO.</u>	<u>LENGTH (Specify)</u>	<u>VOLTAGE</u>
23090FI-X	____ FT. ____ IN.	120
23097FI-X	____ FT. ____ IN.	277

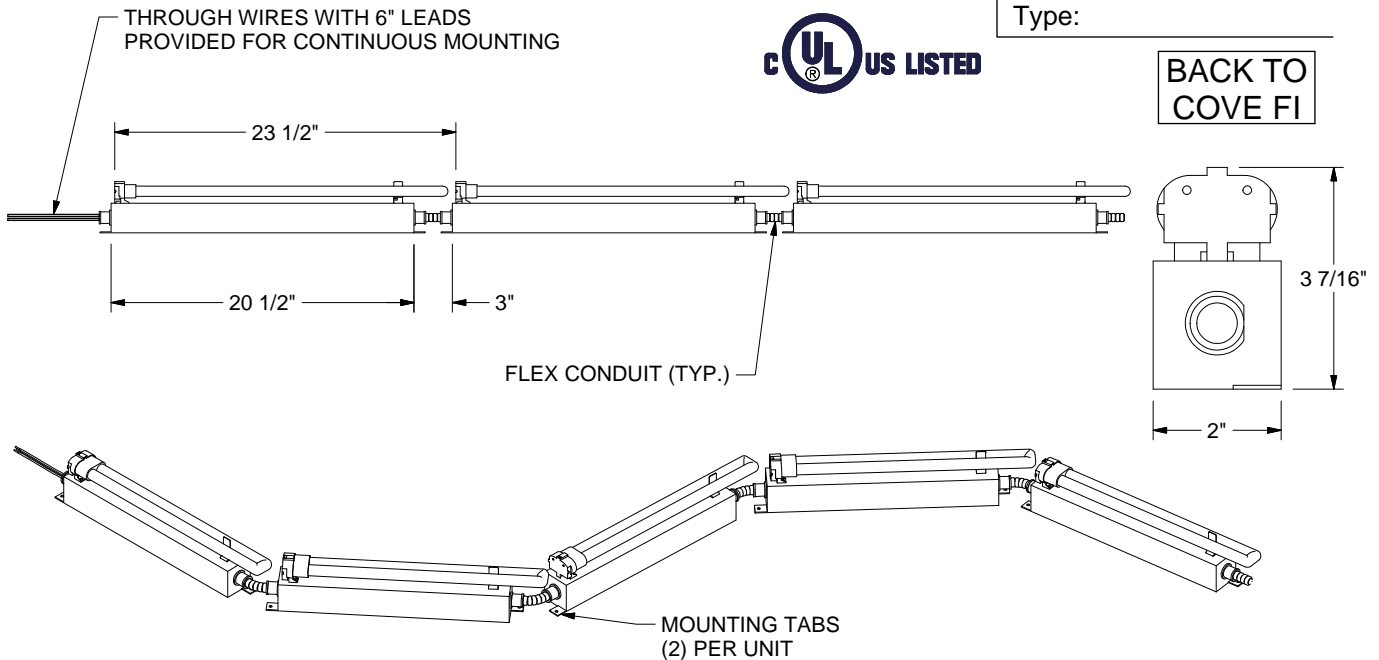


AIREY-THOMPSON™
Manufacturing Quality Luminaires

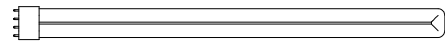
23 SERIES COVE LIGHTING

40W TWIN TUBE, 4 PIN LAMPS (2G11 BASE)

FIELD FLEXIBLE WITH IN-LINE LAMPS



20" MINIMUM INSIDE RADIUS
26" MINIMUM OUTSIDE RADIUS
NOTE: THE SMALLER THE RADIUS THE WIDER THE COVE SPACE MAY NEED TO BE TO ACCOMMODATE THE STRAIGHT SECTIONS OF HOUSING.



40w twin, 4-pin lamp
optionally available with lamps included*

SPECIFICATIONS

- Extruded 6063-T5 aluminum base and cover with .060 nominal wall thickness.
 - Satin anodized and mill aluminum finish. Custom finishes available on special request.
 - Lamps mounted on 23.5 in. centers for continuous row fixture, however greater custom spacing is available.
 - Supplied with 2G11 lamp holder.
 - Electronic, High Power Factor, instant start ballast, is standard.
 - In-line lamp configurations for continuous light distribution.
 - Easy installation with end cap mounting tabs.
 - Snap off cover for easy access to ballast and wiring compartment.
 - All units are UL & CUL LISTED dry locations.
 - Consult factory for special miters, lamp spacing and lamp base options.
- * If ordered with lamps, 3500k color temperature is standard, other lamp colors may be available.

<u>MULTIPLE UNIT CATALOG NO.</u>	<u>LENGTH (Specify)</u>	<u>VOLTAGE</u>
23100FI-X	____ FT. ____ IN.	120
23107FI-X	____ FT. ____ IN.	277

**23 SERIES
COVE LIGHTING**

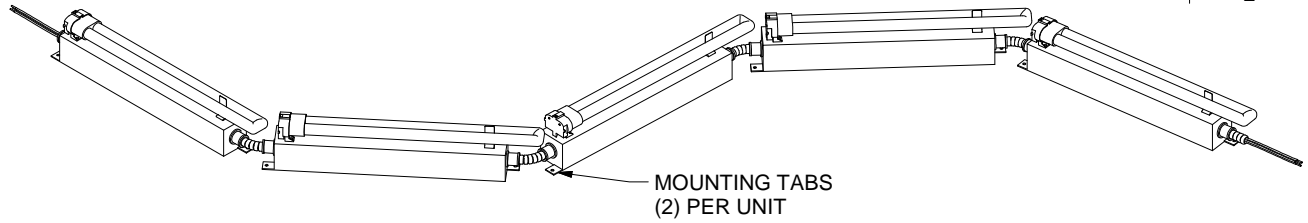
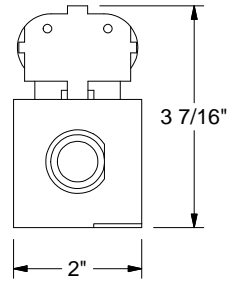
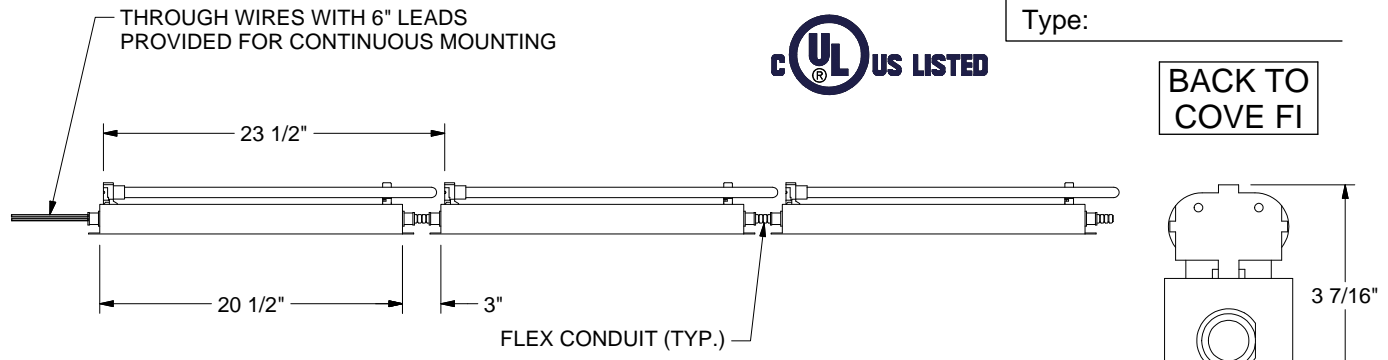
50W TWIN TUBE, 4 PIN LAMPS (2G11 BASE)

FIELD FLEXIBLE WITH IN-LINE LAMPS

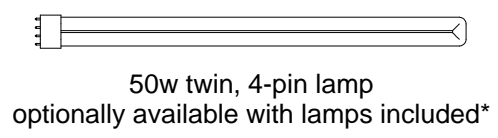
Type: _____



**BACK TO
COVE FI**



20" MINIMUM INSIDE RADIUS
26" MINIMUM OUTSIDE RADIUS
NOTE: THE SMALLER THE RADIUS THE WIDER THE COVE SPACE MAY NEED TO BE TO ACCOMMODATE THE STRAIGHT SECTIONS OF HOUSING.

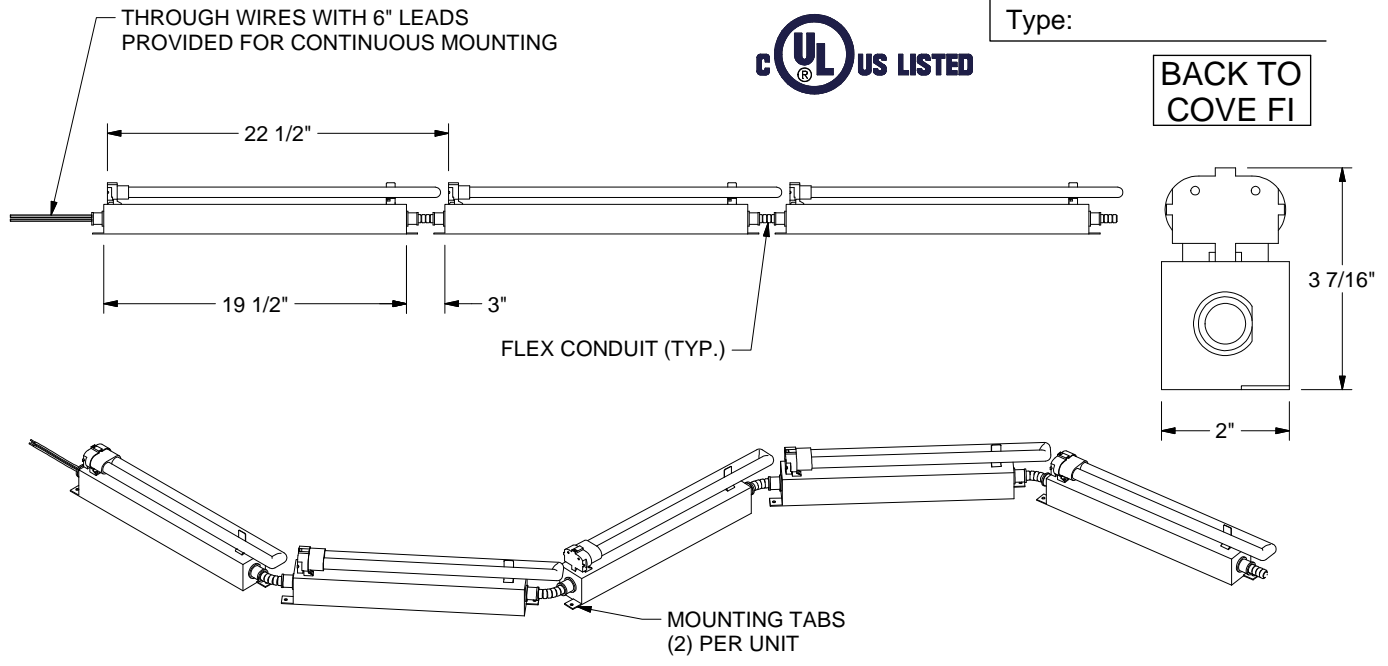


SPECIFICATIONS

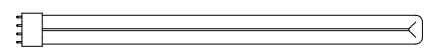
- Extruded 6063-T5 aluminum base and cover with .060 nominal wall thickness.
 - Satin anodized and mill aluminum finish. Custom finishes available on special request.
 - Lamps mounted on 23.5 in. centers for continuous row fixture, however greater custom spacing is available.
 - Supplied with 2G11 lamp holder.
 - Electronic, High Power Factor, instant start ballast, is standard.
 - In-line lamp configurations for continuous light distribution.
 - Easy installation with end cap mounting tabs.
 - Snap off cover for easy access to ballast and wiring compartment.
 - All units are UL & CUL LISTED dry locations.
 - Consult factory for special miters, lamp spacing and lamp base options.
- * If ordered with lamps, 3500k color temperature is standard, other lamp colors may be available.

<u>MULTIPLE UNIT CATALOG NO.</u>	<u>LENGTH (Specify)</u>	<u>VOLTAGE</u>
23110FI-X	____ FT. ____ IN.	120
23117FI-X	____ FT. ____ IN.	277

23 SERIES
COVE LIGHTING
55W TWIN TUBE, 4 PIN LAMPS (2G11 BASE)
FIELD FLEXIBLE WITH IN-LINE LAMPS



18" MINIMUM INSIDE RADIUS
24" MINIMUM OUTSIDE RADIUS
NOTE: THE SMALLER THE RADIUS THE WIDER THE COVE SPACE MAY NEED TO BE TO ACCOMODATE THE STRAIGHT SECTIONS OF HOUSING.



55w twin, 4-pin lamp
optionally available with lamps included*

SPECIFICATIONS

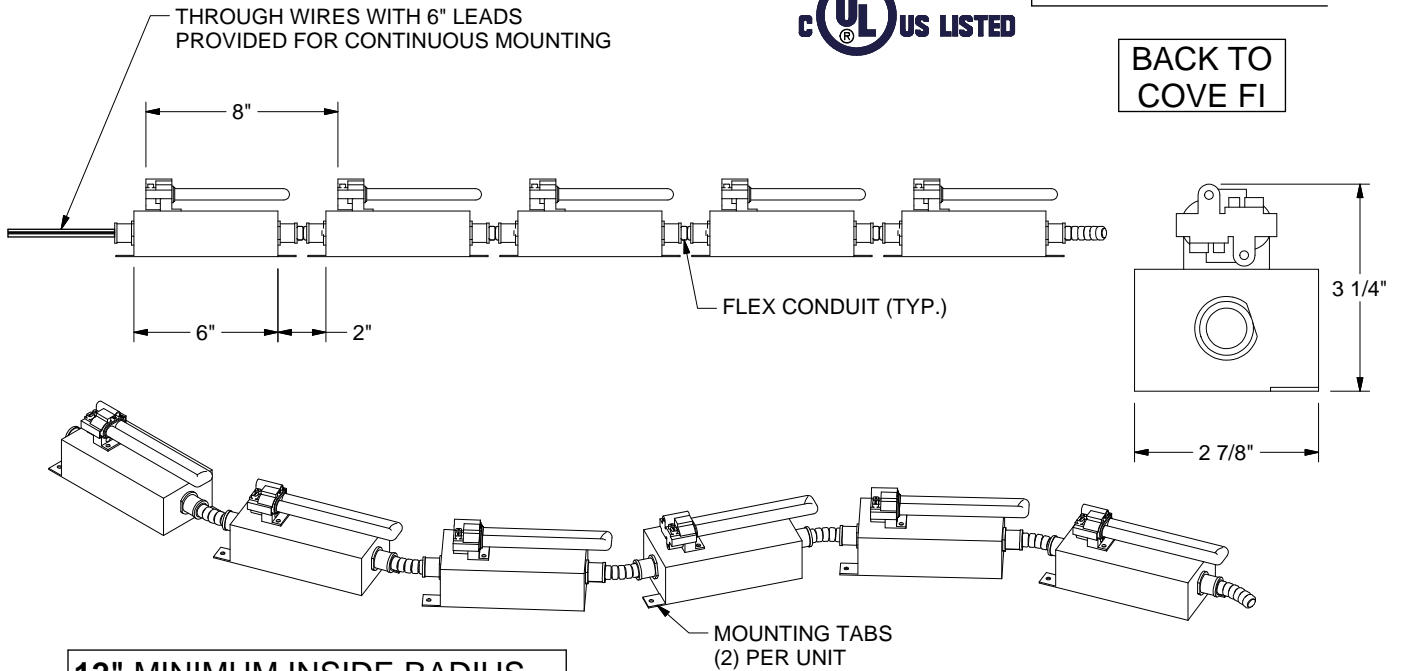
- Extruded 6063-T5 aluminum base and cover with .060 nominal wall thickness.
 - Satin anodized and mill aluminum finish. Custom finishes available on special request.
 - Lamps mounted on 22.5 in. centers for continuous row fixture, however greater custom spacing is available.
 - Supplied with 2G11 lamp holder.
 - Electronic, High Power Factor, instant start ballast, is standard.
 - In-line lamp configurations for continuous light distribution.
 - Easy installation with end cap mounting tabs.
 - Snap off cover for easy access to ballast and wiring compartment.
 - All units are UL & CUL LISTED dry locations.
 - Consult factory for special miters, lamp spacing and lamp base options.
- * If ordered with lamps, 3500k color temperature is standard, other lamp colors may be available.

<u>MULTIPLE UNIT CATALOG NO.</u>	<u>LENGTH (Specify)</u>	<u>VOLTAGE</u>
23120FI-X	____ FT. ____ IN.	120
23127FI-X	____ FT. ____ IN.	277

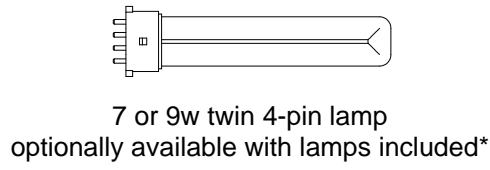
Type: _____



BACK TO
COVE FI



12" MINIMUM INSIDE RADIUS
16" MINIMUM OUTSIDE RADIUS
NOTE: THE SMALLER THE RADIUS THE WIDER THE COVE SPACE MAY NEED TO BE TO ACCOMMODATE THE STRAIGHT SECTIONS OF HOUSING.



SPECIFICATIONS

- Extruded 6063-T5 aluminum base and cover with .060 nominal wall thickness.
 - Satin anodized and mill aluminum finish. Custom finishes available on special request.
 - Lamps mounted on 8 in. centers for continuous row fixture, however greater custom spacing is available.
 - Supplied with 2G7 lamp holder.
 - In-line lamp configurations for continuous light distribution.
 - Easy installation with end cap mounting tabs.
 - Snap off cover for easy access to ballast and wiring compartment.
 - All units are UL & CUL LISTED dry locations.
 - Electronic, high power factor, instant start ballast is standard.
 - Consult factory for special miters, lamp spacing and lamp base options.
- * If ordered with lamps, 3500k color temp is standard, other lamp colors may be available.

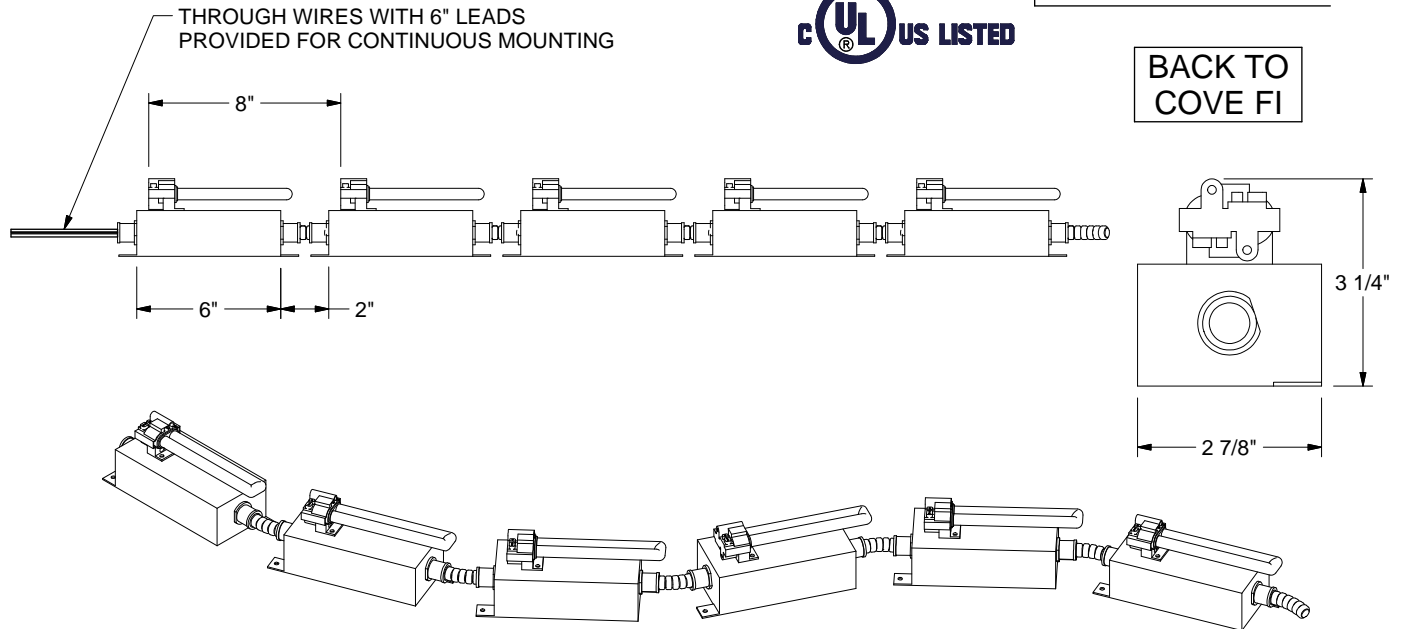
<u>MULTIPLE UNIT CATALOG NO.</u>	<u>LENGTH (Specify)</u>	<u>VOLTAGE</u>
32040FI-X	____ FT. ____ IN.	120
32047FI-X	____ FT. ____ IN.	277



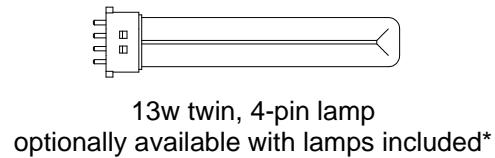
AIREY-THOMPSON™
Manufacturing Quality Luminaires

**32 SERIES
COVE LIGHTING**
13W TWIN TUBE, 4 PIN LAMPS (2GX7 BASE)
FIELD FLEXIBLE WITH IN-LINE LAMPS

Type: _____



12" MINIMUM INSIDE RADIUS
16" MINIMUM OUTSIDE RADIUS
NOTE: THE SMALLER THE RADIUS THE WIDER THE COVE SPACE MAY NEED TO BE TO ACCOMMODATE THE STRAIGHT SECTIONS OF HOUSING.



SPECIFICATIONS

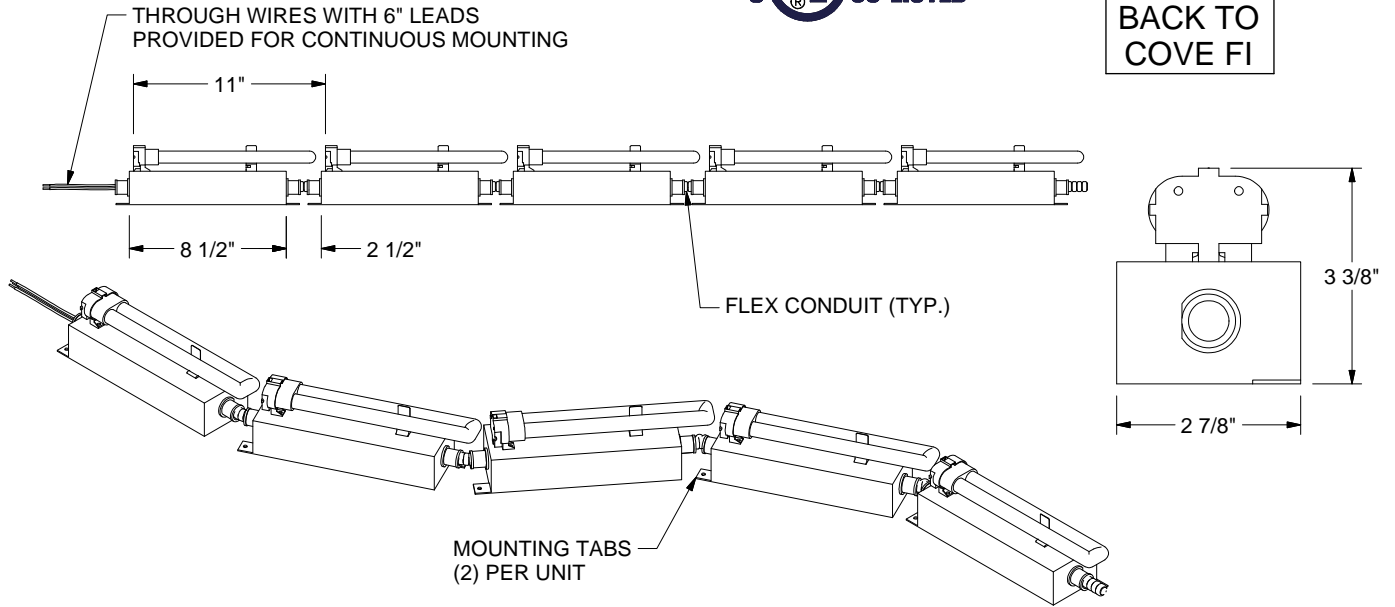
- Extruded 6063-T5 aluminum base and cover with .060 nominal wall thickness.
 - Satin anodized and mill aluminum finish. Custom finishes available on special request.
 - Lamps mounted on 8.0 in. centers for continuous row fixture, however greater custom spacing is available.
 - Supplied with 2GX7 lamp holder.
 - In-line lamp configurations for continuous light distribution.
 - Easy installation with end cap mounting tabs.
 - Snap off cover for easy access to ballast and wiring compartment.
 - All units are UL & CUL LISTED dry locations.
 - Electronic, high power factor, instant start ballast is standard.
 - Consult factory for special miters, lamp spacing and lamp base options.
- * If ordered with lamps, 3500k color temp is standard, other lamp colors may be available.

<u>MULTIPLE UNIT CATALOG NO.</u>	<u>LENGTH (Specify)</u>	<u>VOLTAGE</u>
32050FI-X	____ FT. ____ IN.	120
32057FI-X	____ FT. ____ IN.	277

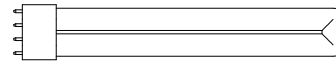
Type: _____



BACK TO
COVE FI



12" MINIMUM INSIDE RADIUS
16" MINIMUM OUTSIDE RADIUS
NOTE: THE SMALLER THE RADIUS THE WIDER THE COVE SPACE MAY NEED TO BE TO ACCOMODATE THE STRAIGHT SECTIONS OF HOUSING.



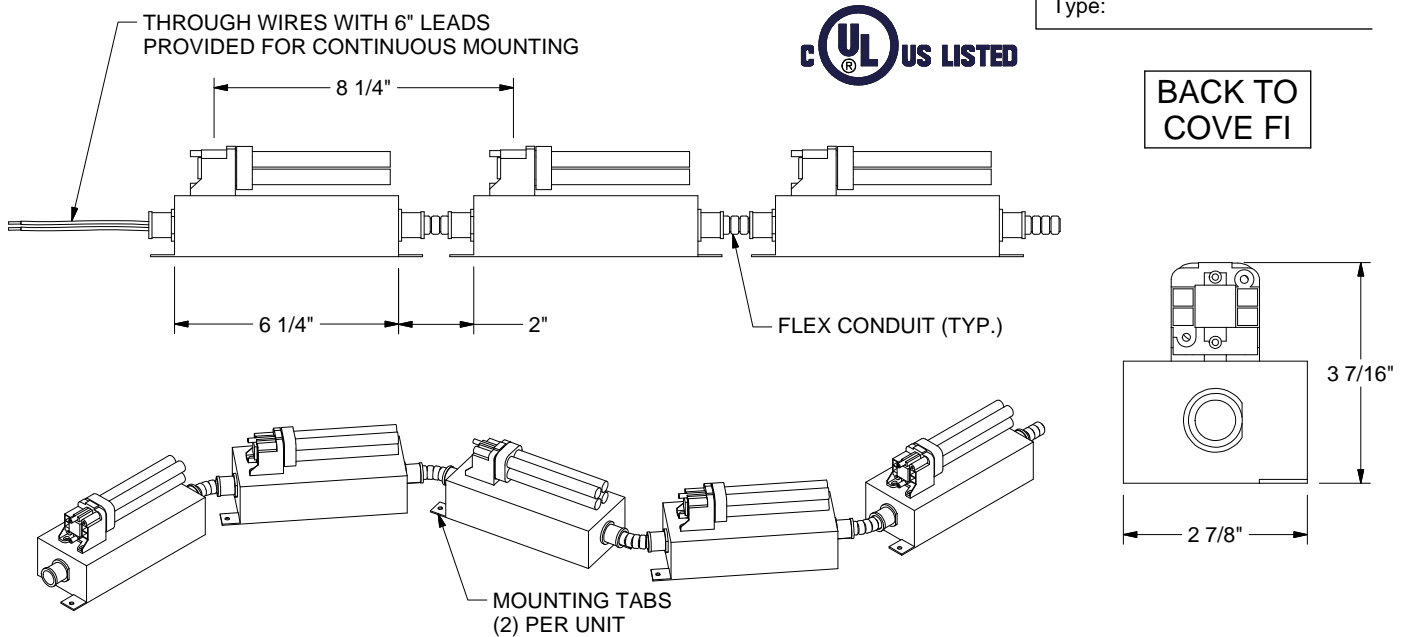
18w twin, 4-pin lamp
optionally available with lamps included*

SPECIFICATIONS

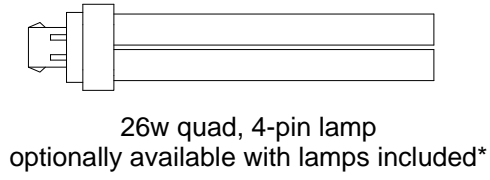
- Extruded 6063-T5 aluminum base and cover with .060 nominal wall thickness.
 - Satin anodized and mill aluminum finish. Custom finishes available on special request.
 - Lamps mounted on 11 in. centers for continuous row fixture, however greater custom spacing is available.
 - Supplied with 2G11 lamp holder.
 - Electronic, High Power Factor, instant start ballast, is standard.
 - In-line lamp configurations for continuous light distribution.
 - Easy installation with end cap mounting tabs.
 - Snap off cover for easy access to ballast and wiring compartment.
 - All units are UL & CUL LISTED dry locations.
 - Consult factory for special miters, lamp spacing and lamp base options.
- * If ordered with lamps, 3500k color temperature is standard, other lamp colors may be available.

<u>MULTIPLE UNIT CATALOG NO.</u>	<u>LENGTH (Specify)</u>	<u>VOLTAGE</u>
32060FI-X	____ FT. ____ IN.	120
32067FI-X	____ FT. ____ IN.	277

Type: _____



12" MINIMUM INSIDE RADIUS
16" MINIMUM OUTSIDE RADIUS
NOTE: THE SMALLER THE RADIUS THE WIDER THE COVE SPACE MAY NEED TO BE TO ACCOMODATE THE STRAIGHT SECTIONS OF HOUSING.



SPECIFICATIONS

- Extruded 6063-T5 aluminum base and cover with .060 nominal wall thickness.
 - Satin anodized and mill aluminum finish. Custom finishes available on special request.
 - Lamps mounted on 8.25 in. centers for continuous row fixture, however greater custom spacing is available.
 - Supplied with G24q-3 lamp holder.
 - Electronic, High Power Factor, instant start ballast, is standard.
 - In-line lamp configurations for continuous light distribution.
 - Easy installation with end cap mounting tabs.
 - Snap off cover for easy access to ballast and wiring compartment.
 - All units are UL & CUL LISTED dry locations.
 - Consult factory for special miters, lamp spacing and lamp base options.
- * If ordered with lamps, 3500k color temperature is standard, other lamp colors may be available.

<u>MULTIPLE UNIT CATALOG NO.</u>	<u>LENGTH (Specify)</u>	<u>VOLTAGE</u>
32070FI-X	____ FT. ____ IN.	120
32077FI-X	____ FT. ____ IN.	277



AIREY-THOMPSON™
Manufacturing Quality Luminaires

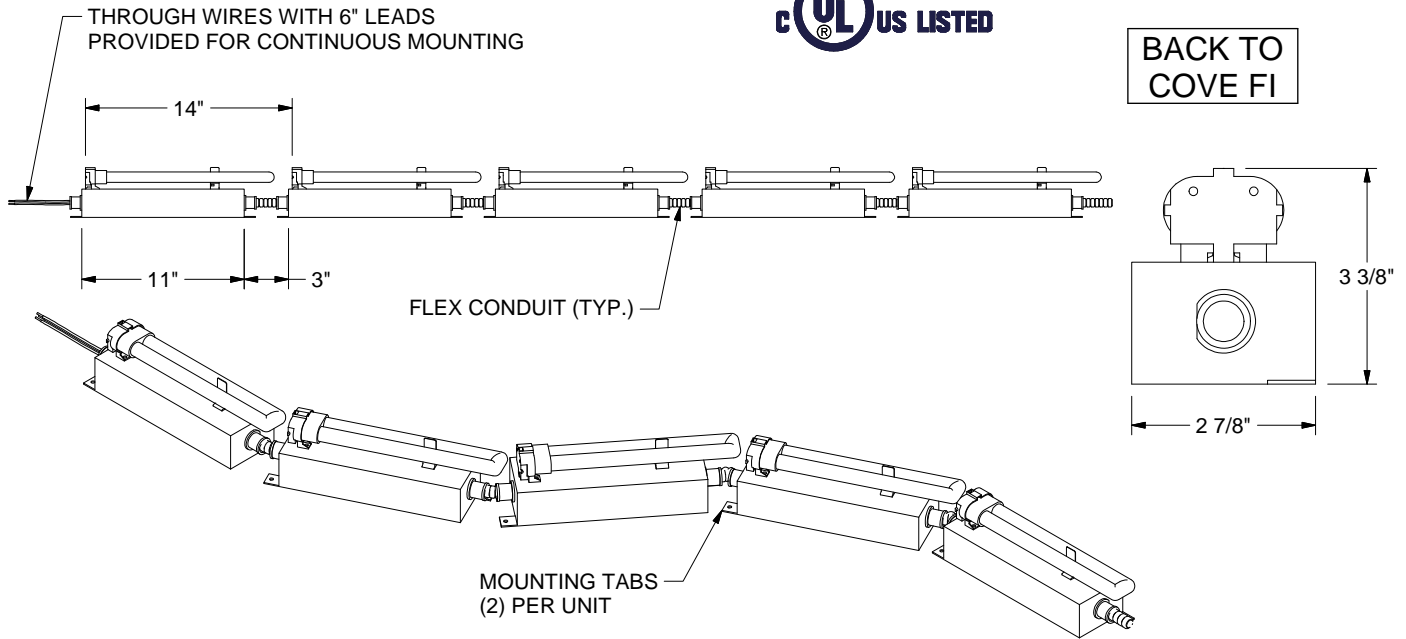
32 SERIES COVE LIGHTING

24/27W TWIN TUBE, 4 PIN LAMPS (2G11 BASE)
FIELD FLEXIBLE WITH IN-LINE LAMPS

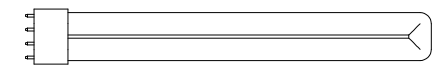
Type: _____



BACK TO
COVE FI



14" MINIMUM INSIDE RADIUS
19" MINIMUM OUTSIDE RADIUS
NOTE: THE SMALLER THE RADIUS THE WIDER
THE COVE SPACE MAY NEED TO BE TO
ACCOMMODATE THE STRAIGHT SECTIONS
OF HOUSING.



24 or 27w twin, 4-pin lamp
optionally available with lamps included*

SPECIFICATIONS

- Extruded 6063-T5 aluminum base and cover with .060 nominal wall thickness.
 - Satin anodized and mill aluminum finish. Custom finishes available on special request.
 - Lamps mounted on 14 in. centers for continuous row fixture, however greater custom spacing is available.
 - Supplied with 2G11 lamp holder.
 - Electronic, High Power Factor, instant start ballast, is standard.
 - In-line lamp configurations for continuous light distribution.
 - Easy installation with end cap mounting tabs.
 - Snap off cover for easy access to ballast and wiring compartment.
 - All units are UL & CUL LISTED dry locations.
 - Consult factory for special miters, lamp spacing and lamp base options.
- * If ordered with lamps, 3500k color temperature is standard, other lamp colors may be available.

<u>MULTIPLE UNIT CATALOG NO.</u>	<u>LENGTH (Specify)</u>	<u>VOLTAGE</u>
32080FI-X	____ FT. ____ IN.	120
32087FI-X	____ FT. ____ IN.	277

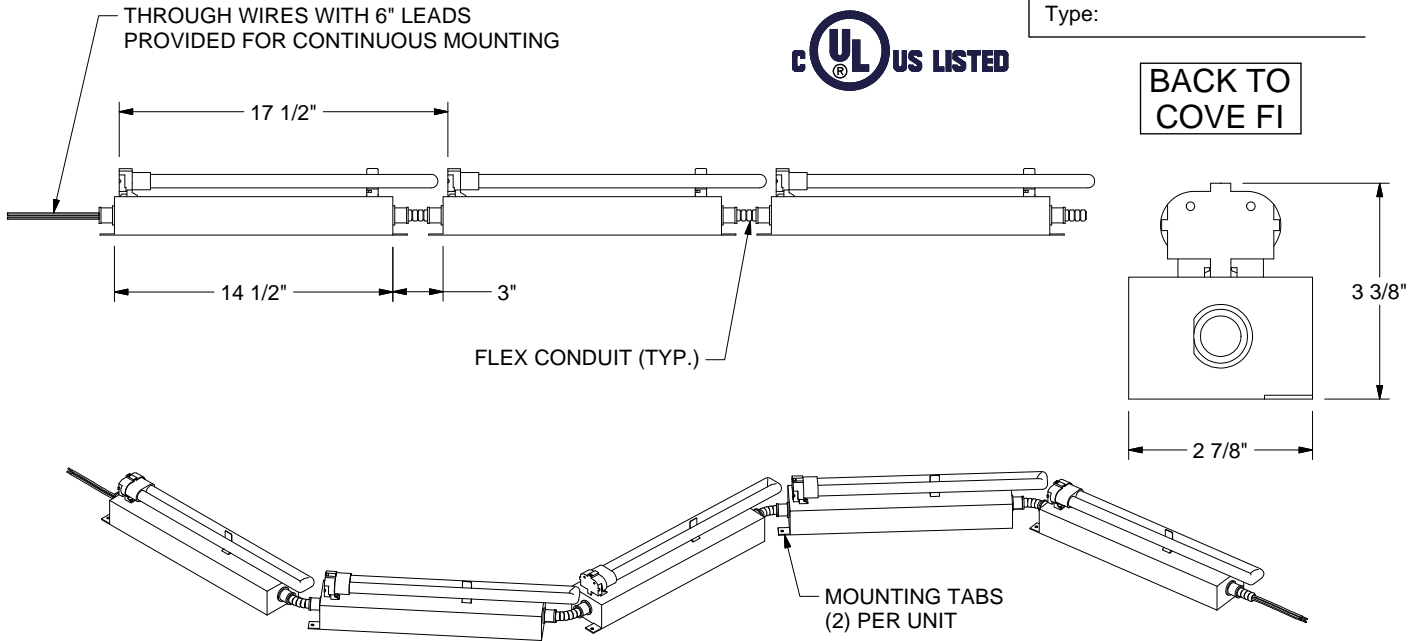


AIREY-THOMPSON™
Manufacturing Quality Luminaires

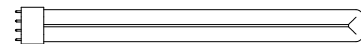
32 SERIES COVE LIGHTING

36/39W TWIN TUBE, 4 PIN LAMPS (2G11 BASE)
FIELD FLEXIBLE WITH IN-LINE LAMPS

Type: _____



16" MINIMUM INSIDE RADIUS
22" MINIMUM OUTSIDE RADIUS
NOTE: THE SMALLER THE RADIUS THE WIDER THE COVE SPACE MAY NEED TO BE TO ACCOMODATE THE STRAIGHT SECTIONS OF HOUSING.

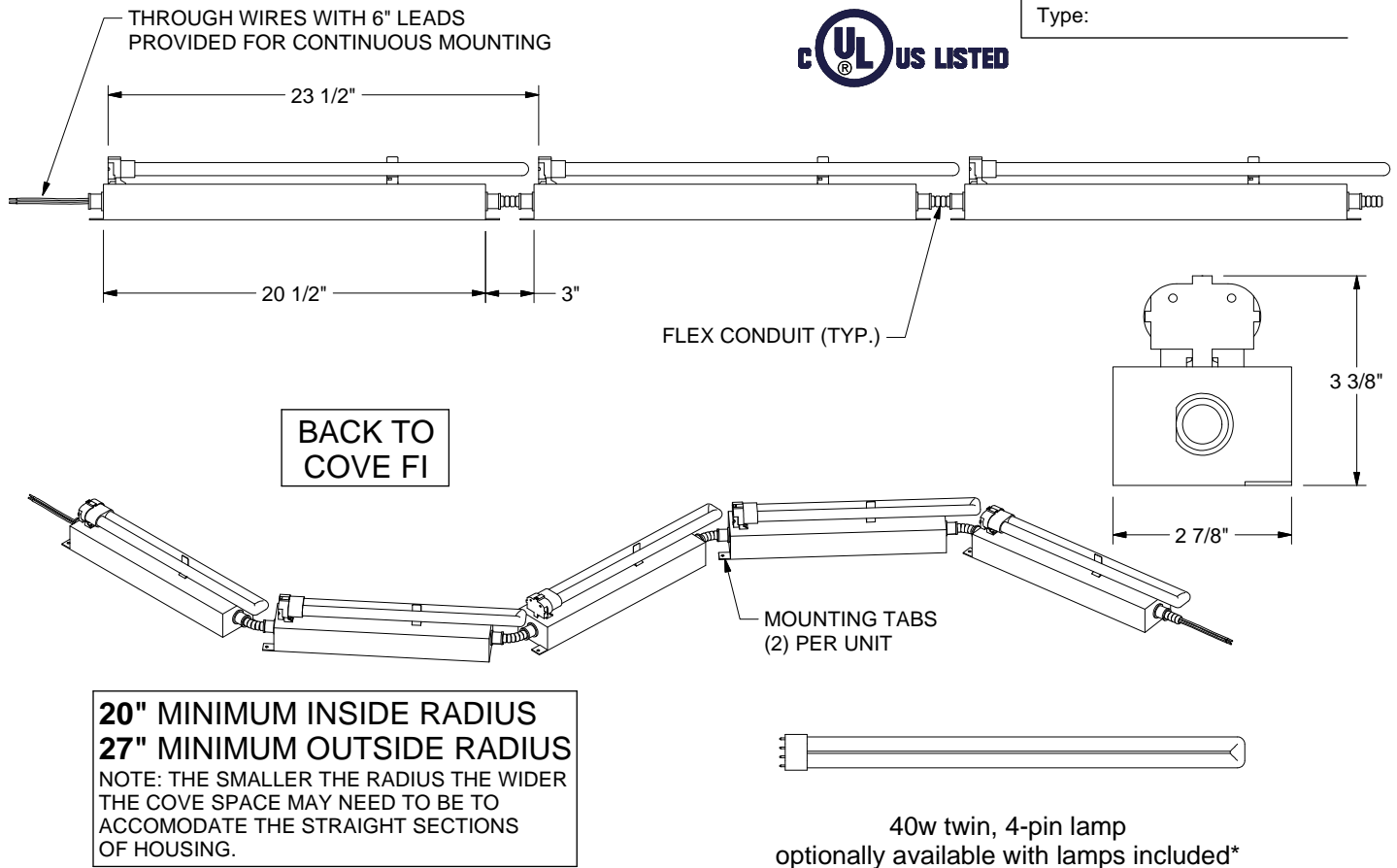


36 or 39w twin, 4-pin lamp
optionally available with lamps included*

SPECIFICATIONS

- Extruded 6063-T5 aluminum base and cover with .060 nominal wall thickness.
 - Satin anodized and mill aluminum finish. Custom finishes available on special request.
 - Lamps mounted on 17.5 in. centers for continuous row fixture, however greater custom spacing is available.
 - Supplied with 2G11 lamp holder.
 - Electronic, High Power Factor, instant start ballast, is standard.
 - In-line lamp configurations for continuous light distribution.
 - Easy installation with end cap mounting tabs.
 - Snap off cover for easy access to ballast and wiring compartment.
 - All units are UL & CUL LISTED dry locations.
 - Consult factory for special miters, lamp spacing and lamp base options.
- * If ordered with lamps, 3500k color temperature is standard, other lamp colors may be available.

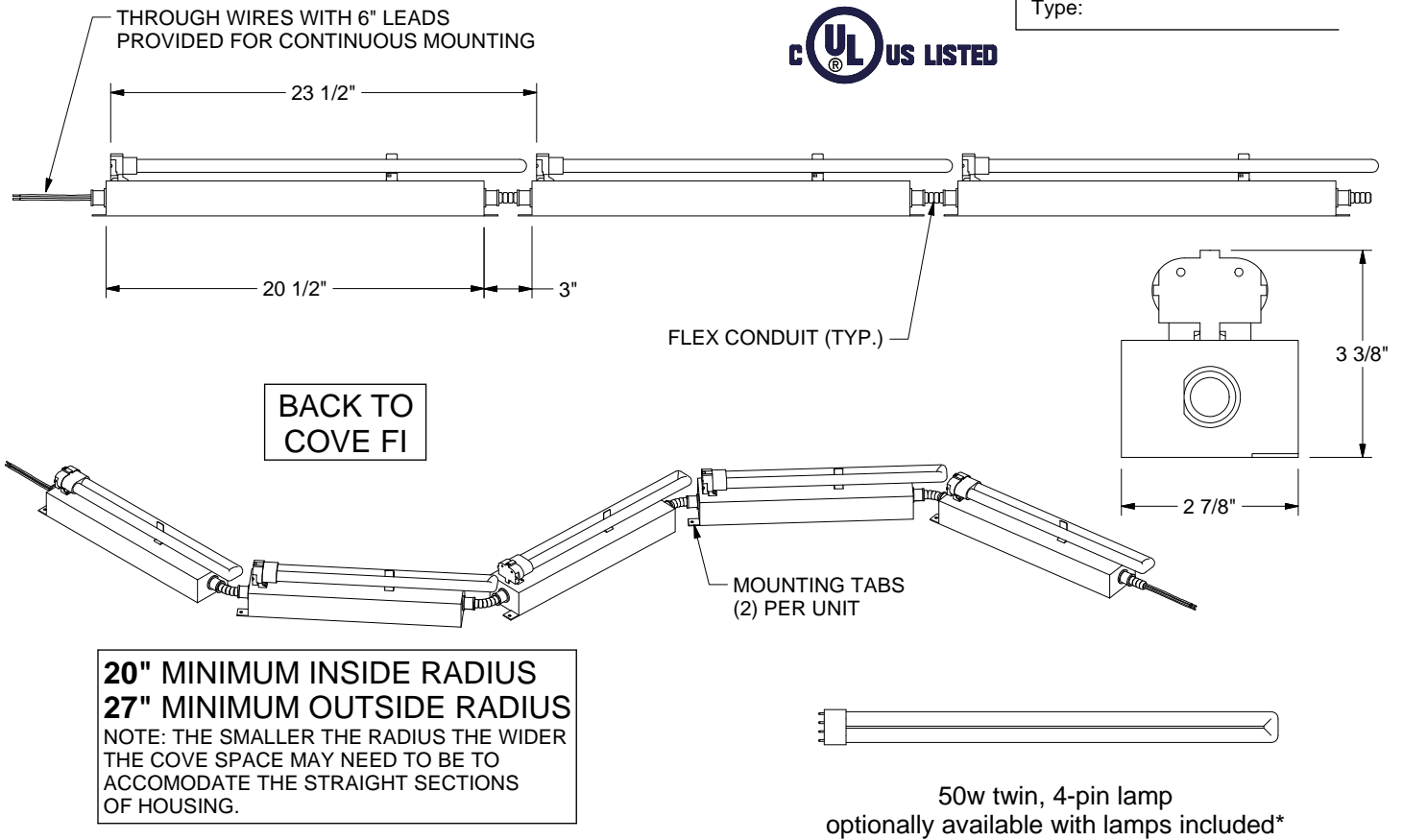
<u>MULTIPLE UNIT CATALOG NO.</u>	<u>LENGTH (Specify)</u>	<u>VOLTAGE</u>
32090FI-X	____ FT. ____ IN.	120
32097FI-X	____ FT. ____ IN.	277



SPECIFICATIONS

- Extruded 6063-T5 aluminum base and cover with .060 nominal wall thickness.
 - Satin anodized and mill aluminum finish. Custom finishes available on special request.
 - Lamps mounted on 23.5 in. centers for continuous row fixture, however greater custom spacing is available.
 - Supplied with 2G11 lamp holder.
 - Electronic, High Power Factor, instant start ballast, is standard.
 - In-line lamp configurations for continuous light distribution.
 - Easy installation with end cap mounting tabs.
 - Snap off cover for easy access to ballast and wiring compartment.
 - All units are UL & CUL LISTED dry locations.
 - Consult factory for special miters, lamp spacing and lamp base options.
- * If ordered with lamps, 3500k color temperature is standard, other lamp colors may be available.

<u>MULTIPLE UNIT CATALOG NO.</u>	<u>LENGTH (Specify)</u>	<u>VOLTAGE</u>
32100FI-X	____ FT. ____ IN.	120
32107FI-X	____ FT. ____ IN.	277

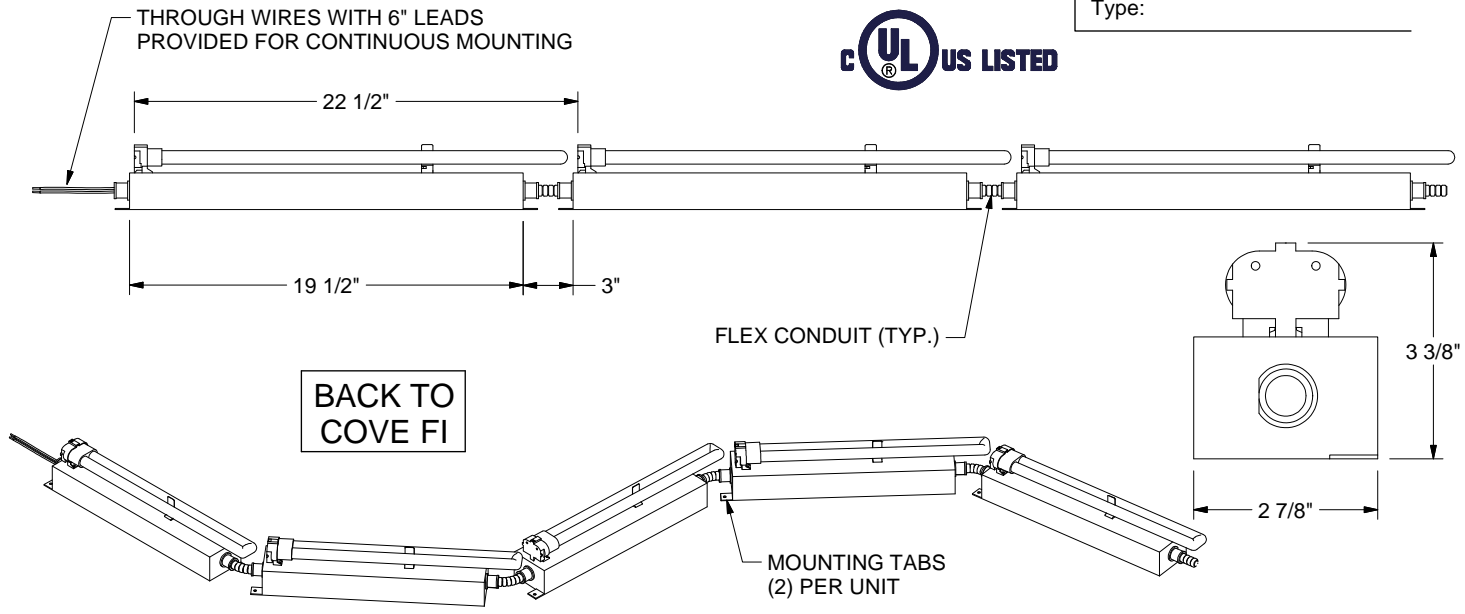


SPECIFICATIONS

- Extruded 6063-T5 aluminum base and cover with .060 nominal wall thickness.
 - Satin anodized and mill aluminum finish. Custom finishes available on special request.
 - Lamps mounted on 23.5 in. centers for continuous row fixture, however greater custom spacing is available.
 - Supplied with 2G11 lamp holder.
 - Electronic, High Power Factor, instant start ballast, is standard.
 - In-line lamp configurations for continuous light distribution.
 - Easy installation with end cap mounting tabs.
 - Snap off cover for easy access to ballast and wiring compartment.
 - All units are UL & CUL LISTED dry locations.
 - Consult factory for special miters, lamp spacing and lamp base options.
- * If ordered with lamps, 3500k color temperature is standard, other lamp colors may be available.

<u>MULTIPLE UNIT CATALOG NO.</u>	<u>LENGTH (Specify)</u>	<u>VOLTAGE</u>
32110FI-X	____ FT. ____ IN.	120
32117FI-X	____ FT. ____ IN.	277

Type: _____



18" MINIMUM INSIDE RADIUS
25" MINIMUM OUTSIDE RADIUS
NOTE: THE SMALLER THE RADIUS THE WIDER THE COVE SPACE MAY NEED TO BE TO ACCOMODATE THE STRAIGHT SECTIONS OF HOUSING.

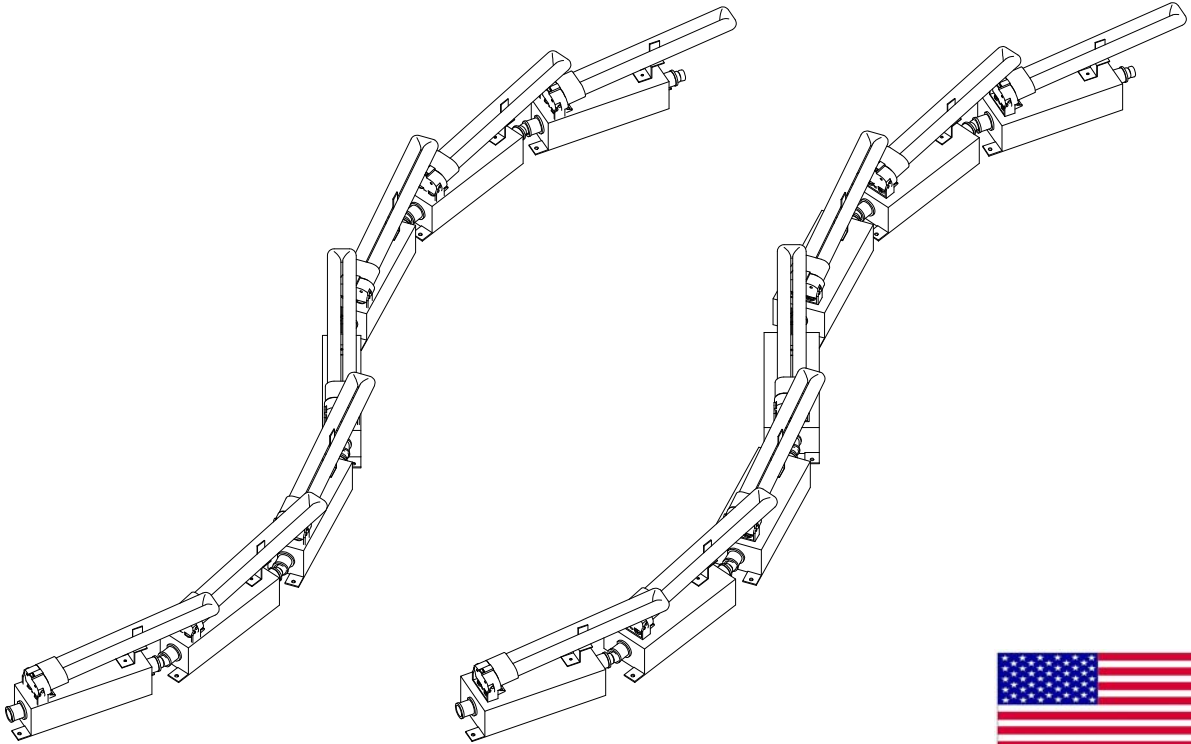
SPECIFICATIONS

- Extruded 6063-T5 aluminum base and cover with .060 nominal wall thickness.
 - Satin anodized and mill aluminum finish. Custom finishes available on special request.
 - Lamps mounted on 22.5 in. centers for continuous row fixture, however greater custom spacing is available.
 - Supplied with 2G11 lamp holder.
 - Electronic, High Power Factor, instant start ballast, is standard.
 - In-line lamp configurations for continuous light distribution.
 - Easy installation with end cap mounting tabs.
 - Snap off cover for easy access to ballast and wiring compartment.
 - All units are UL & CUL LISTED dry locations.
 - Consult factory for special miters, lamp spacing and lamp base options.
- * If ordered with lamps, 3500k color temperature is standard, other lamp colors may be available.

<u>MULTIPLE UNIT CATALOG NO.</u>	<u>LENGTH (Specify)</u>	<u>VOLTAGE</u>
32120FI-X	____ FT. ____ IN.	120
32127FI-X	____ FT. ____ IN.	277

COVE LIGHTING FLEXIBLE WITH OVERLAPPING LAMPS SECTION 5

Airey-Thompson cove lighting brings out the best in architectural details while providing glare-free illumination. Whether flooding a textured wall or tracking a stairway or ceiling's curves, this system is designed for flexibility, with housing modules, aluminum flex and overlapping lamps. Luminaires available for a variety of lamps; dimming ballasts may be available for some lamps. All fixtures are low-maintenance extruded anodized aluminum with custom finishes upon special request.



23F0 Series

32F0 Series



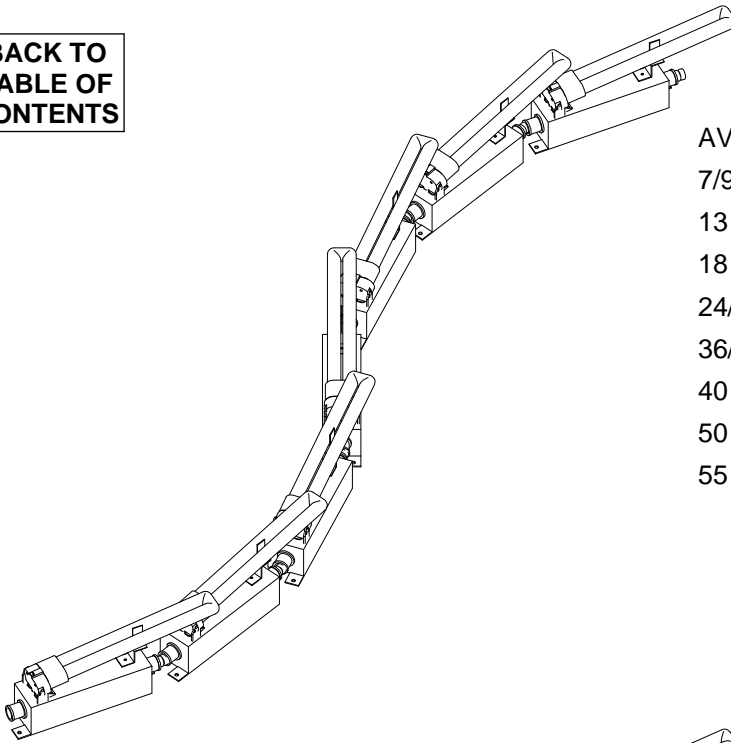
Made in USA

Engineered to meet the requirements of today's interiors, Airey-Thompson cove lighting is made to customer specified length so every piece fits your specific application, and can be field curved to architectural requirements. All fixtures are UL and CUL listed damp location. Many lamp types can be supplied with dimming ballasts. Questions on how cove lighting can illuminate your next project? Call today!



COVE LIGHTING FLEXIBLE WITH OVERLAPPING LAMPS SECTION 5

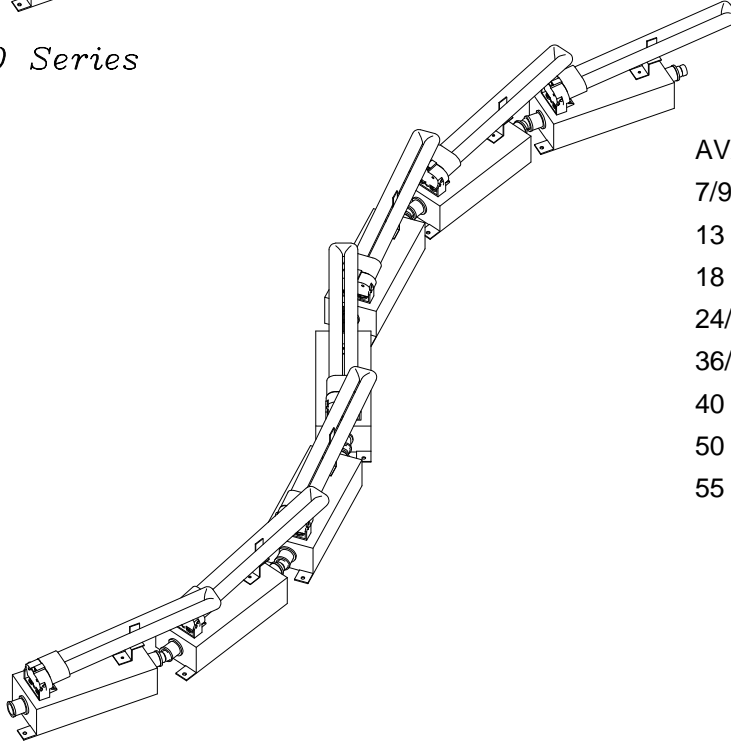
**BACK TO
TABLE OF
CONTENTS**



23F0 Series

AVAILABLE LAMPS:

- 7/9 WATT 4 PIN TWIN TUBE
- 13 WATT 4 PIN TWIN TUBE
- 18 WATT TWIN TUBE
- 24/27 WATT TWIN TUBE
- 36/39 WATT TWIN TUBE
- 40 WATT TWIN TUBE
- 50 WATT TWIN TUBE
- 55 WATT TWIN TUBE



32F0 Series

AVAILABLE LAMPS:

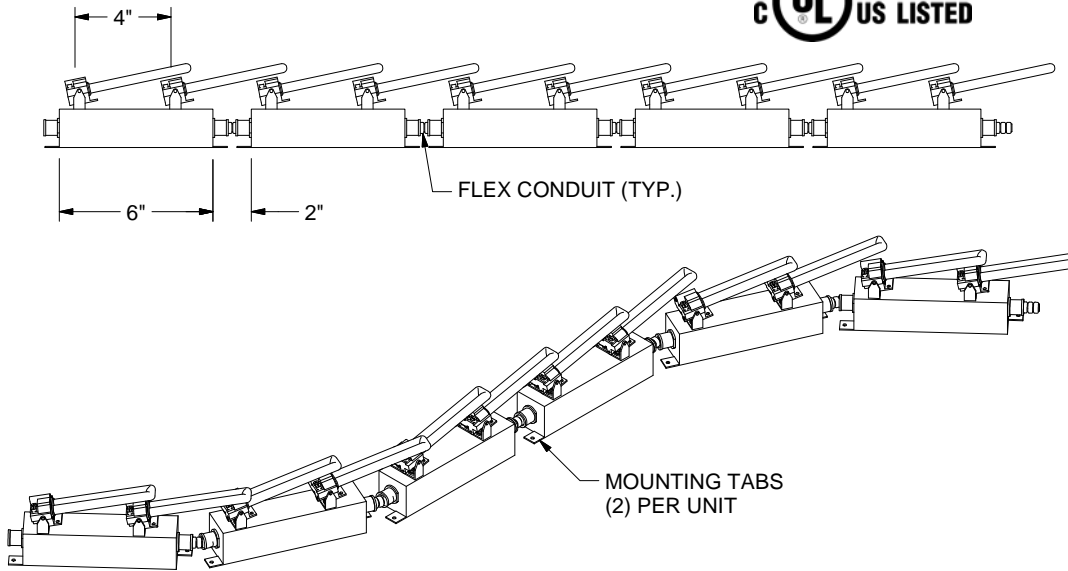
- 7/9 WATT 4 PIN TWIN TUBE
- 13 WATT 4 PIN TWIN TUBE
- 18 WATT TWIN TUBE
- 24/27 WATT TWIN TUBE
- 36/39 WATT TWIN TUBE
- 40 WATT TWIN TUBE
- 50 WATT TWIN TUBE
- 55 WATT TWIN TUBE



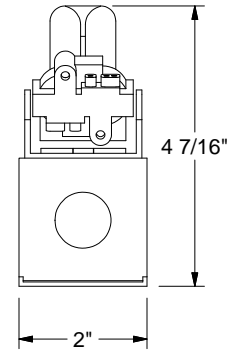
AIREY-THOMPSON
Manufacturing Quality Luminaires

23 SERIES COVE LIGHTING (2 LAMP MODULES) 7/9W TWIN TUBE, 4 PIN LAMPS (2G7 BASE) FIELD FLEXIBLE WITH OVERLAPPING LAMPS

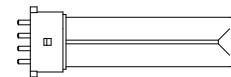
Type: _____



BACK TO
COVE FO



12" MINIMUM INSIDE RADIUS
16" MINIMUM OUTSIDE RADIUS
NOTE: THE SMALLER THE RADIUS THE WIDER
THE COVE SPACE MAY NEED TO BE TO
ACCOMMODATE THE STRAIGHT SECTIONS
OF HOUSING.



7 or 9w twin, 4-pin lamp
optionally available with lamps included*

SPECIFICATIONS

- Extruded 6063-T5 aluminum base and cover with .060 nominal wall thickness.
 - Satin anodized and mill aluminum finish. Custom finishes available on special request.
 - Lamps mounted on 4 in. centers for continuous row fixture.
 - Supplied with 2G7 lamp holder.
 - Overlapping lamps for continuous even light distribution.
 - Easy installation with end cap mounting tabs.
 - Electronic, High Power Factor, instant start ballast, is standard.
 - Snap off cover for easy access to ballast and wiring compartment.
 - All units are UL & CUL LISTED dry locations.
 - Consult factory for special miters, lamp spacing and lamp base options.
- * If ordered with lamps, 3500k color temperature is standard, other lamp colors may be available.

<u>MULTIPLE UNIT CATALOG NO.</u>	<u>LENGTH (Specify)</u>	<u>VOLTAGE</u>
23040FO-X	____ FT. ____ IN.	120
23047FO-X	____ FT. ____ IN.	277



AIREY-THOMPSON™
Manufacturing Quality Luminaires

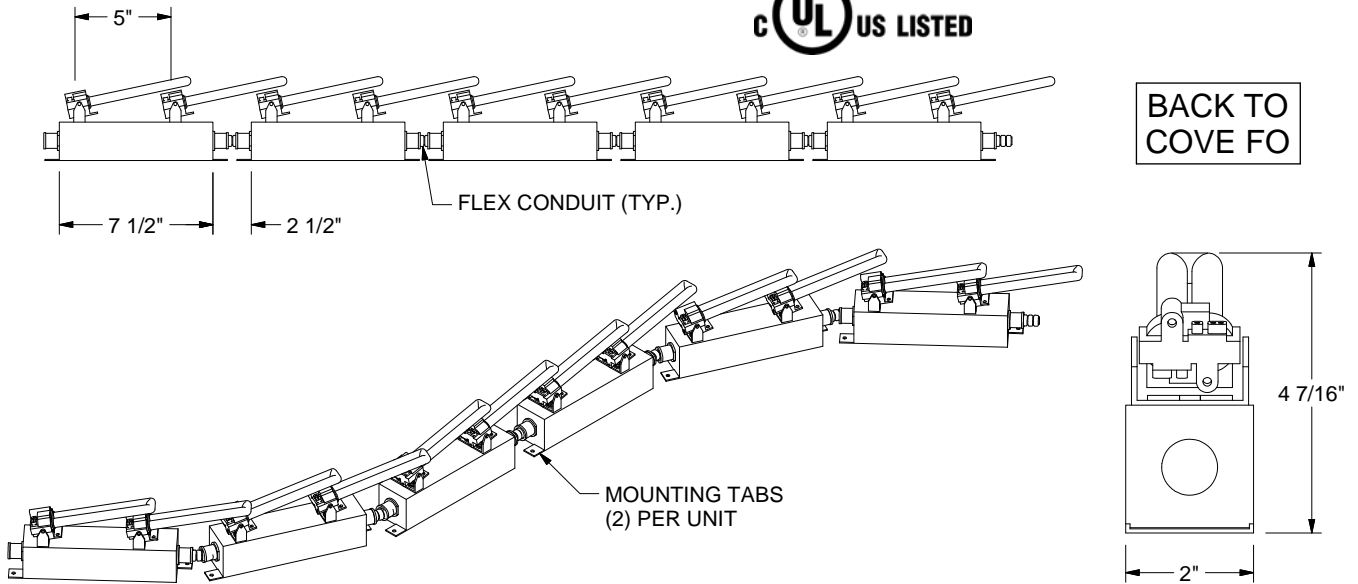
23 SERIES

COVE LIGHTING (2 LAMP MODULE)

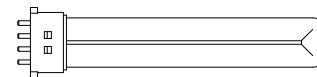
13W TWIN TUBE, 4 PIN LAMPS (2GX7 BASE)

FIELD FLEXIBLE WITH OVERLAPPING LAMPS

Type: _____



12" MINIMUM INSIDE RADIUS
16" MINIMUM OUTSIDE RADIUS
NOTE: THE SMALLER THE RADIUS THE WIDER THE COVE SPACE MAY NEED TO BE TO ACCOMMODATE THE STRAIGHT SECTIONS OF HOUSING.

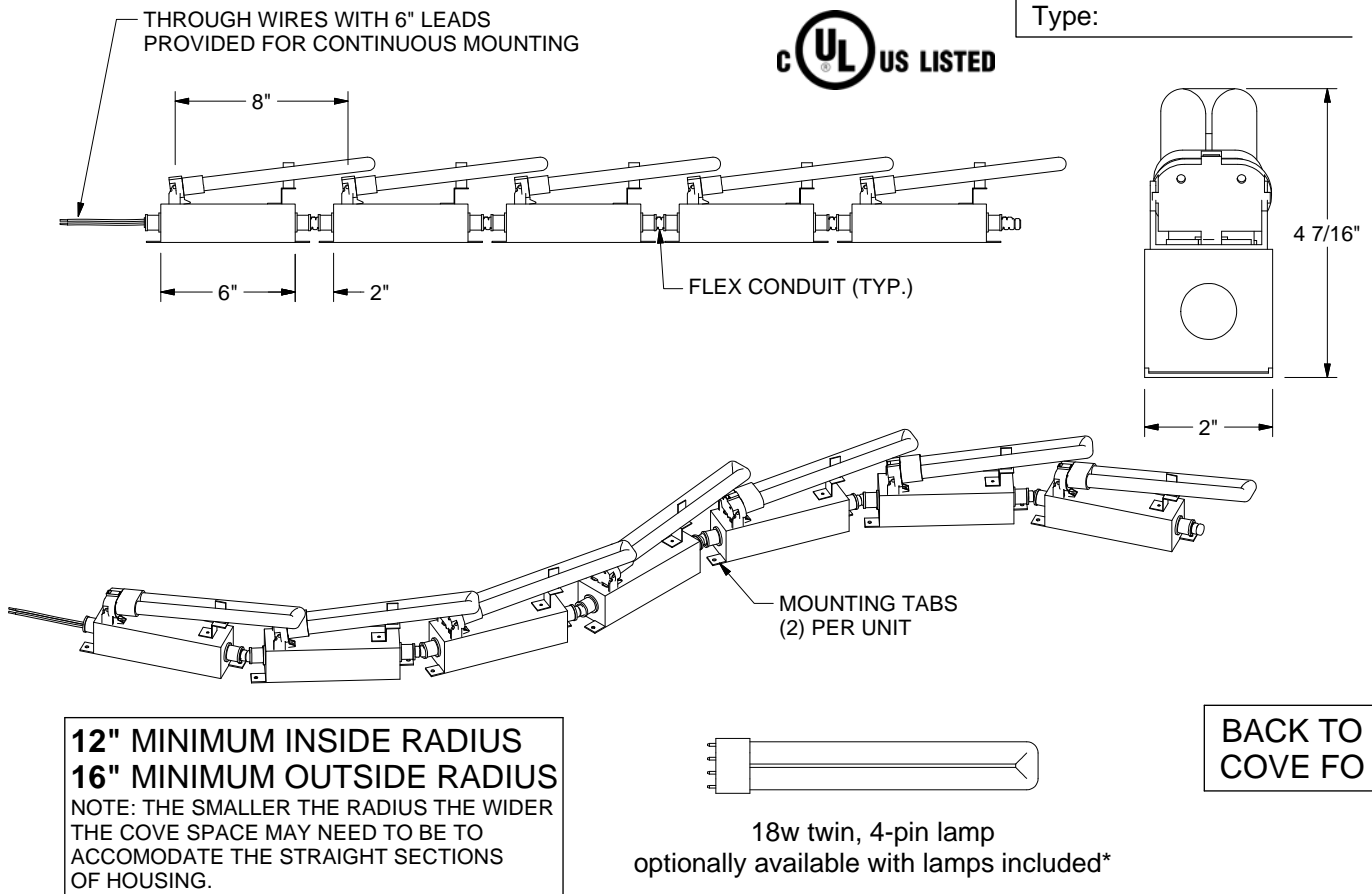


13w twin, 4-pin lamp
optionally available with lamps included*

SPECIFICATIONS

- Extruded 6063-T5 aluminum base and cover with .060 nominal wall thickness.
 - Satin anodized and mill aluminum finish. Custom finishes available on special request.
 - Lamps mounted on 5 in. centers for continuous row fixture.
 - Supplied with 2GX7 lamp holder.
 - Overlapping lamps for continuous even light distribution.
 - Easy installation with end cap mounting tabs.
 - Electronic, High Power Factor, instant start ballast, is standard.
 - Snap off cover for easy access to ballast and wiring compartment.
 - All units are UL & CUL LISTED dry locations.
 - Consult factory for special miters, lamp spacing and lamp base options.
- * If ordered with lamps, 3500k color temperature is standard, other lamp colors may be available.

<u>MULTIPLE UNIT CATALOG NO.</u>	<u>LENGTH (Specify)</u>	<u>VOLTAGE</u>
23050FO-X	____ FT. ____ IN.	120
23057FO-X	____ FT. ____ IN.	277



SPECIFICATIONS

- Extruded 6063-T5 aluminum base and cover with .060 nominal wall thickness.
 - Satin anodized and mill aluminum finish. Custom finishes available on special request.
 - Lamps mounted on 8 in. centers for continuous row fixture.
 - Supplied with 2G11 lamp holder.
 - Overlapping lamps for continuous even light distribution.
 - Easy installation with end cap mounting tabs.
 - Electronic, High Power Factor, instant start ballast, is standard.
 - Snap off cover for easy access to ballast and wiring compartment.
 - All units are UL & CUL LISTED dry locations.
 - Consult factory for special miters, lamp spacing and lamp base options.
- * If ordered with lamps, 3500k color temperature is standard, other lamp colors may be available.

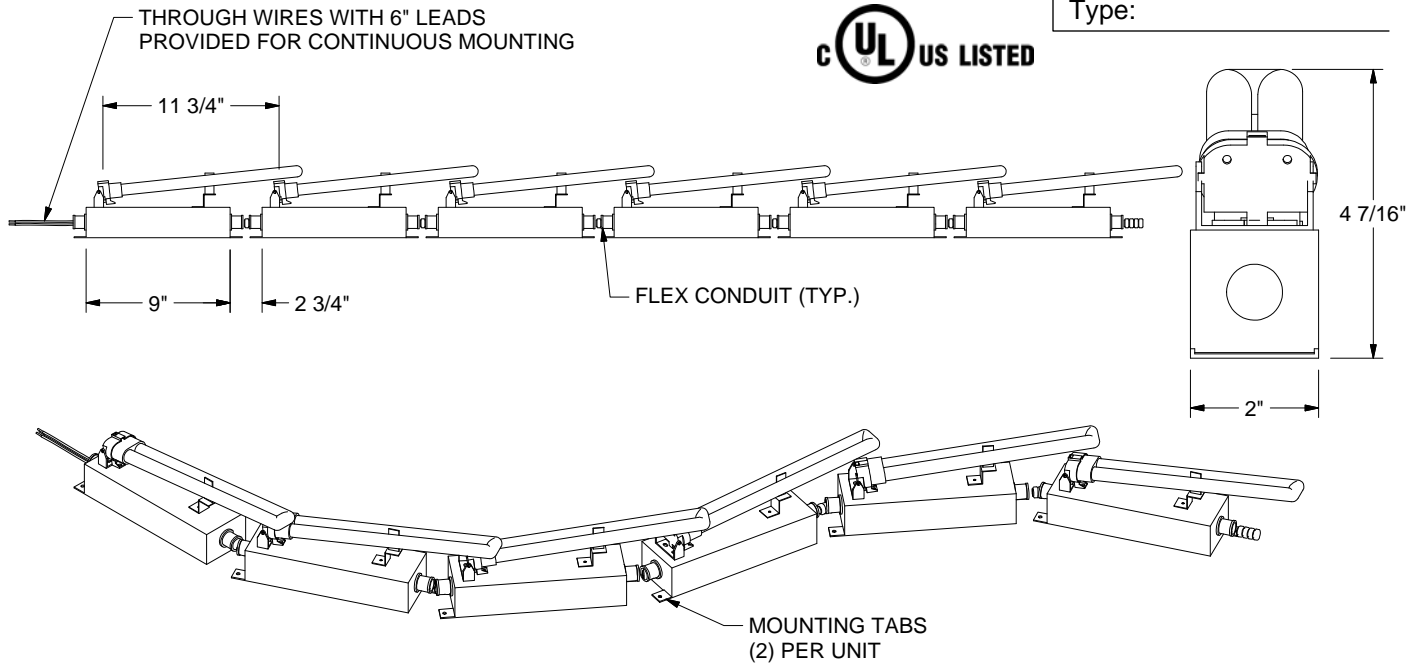
<u>MULTIPLE UNIT CATALOG NO.</u>	<u>LENGTH (Specify)</u>	<u>VOLTAGE</u>
23060FO-X	____ FT. ____ IN.	120
23067FO-X	____ FT. ____ IN.	277



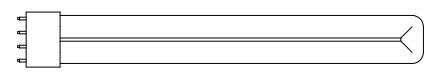
AIREY-THOMPSON™
Manufacturing Quality Luminaires

23 SERIES COVE LIGHTING

24/27W TWIN TUBE, 4 PIN LAMPS (2G11 BASE)
FIELD FLEXIBLE WITH OVERLAPPING LAMPS



12" MINIMUM INSIDE RADIUS
16" MINIMUM OUTSIDE RADIUS
NOTE: THE SMALLER THE RADIUS THE WIDER THE COVE SPACE MAY NEED TO BE TO ACCOMMODATE THE STRAIGHT SECTIONS OF HOUSING.



24 or 27w twin, 4-pin lamp
optionally available with lamps included*

**BACK TO
COVE FO**

SPECIFICATIONS

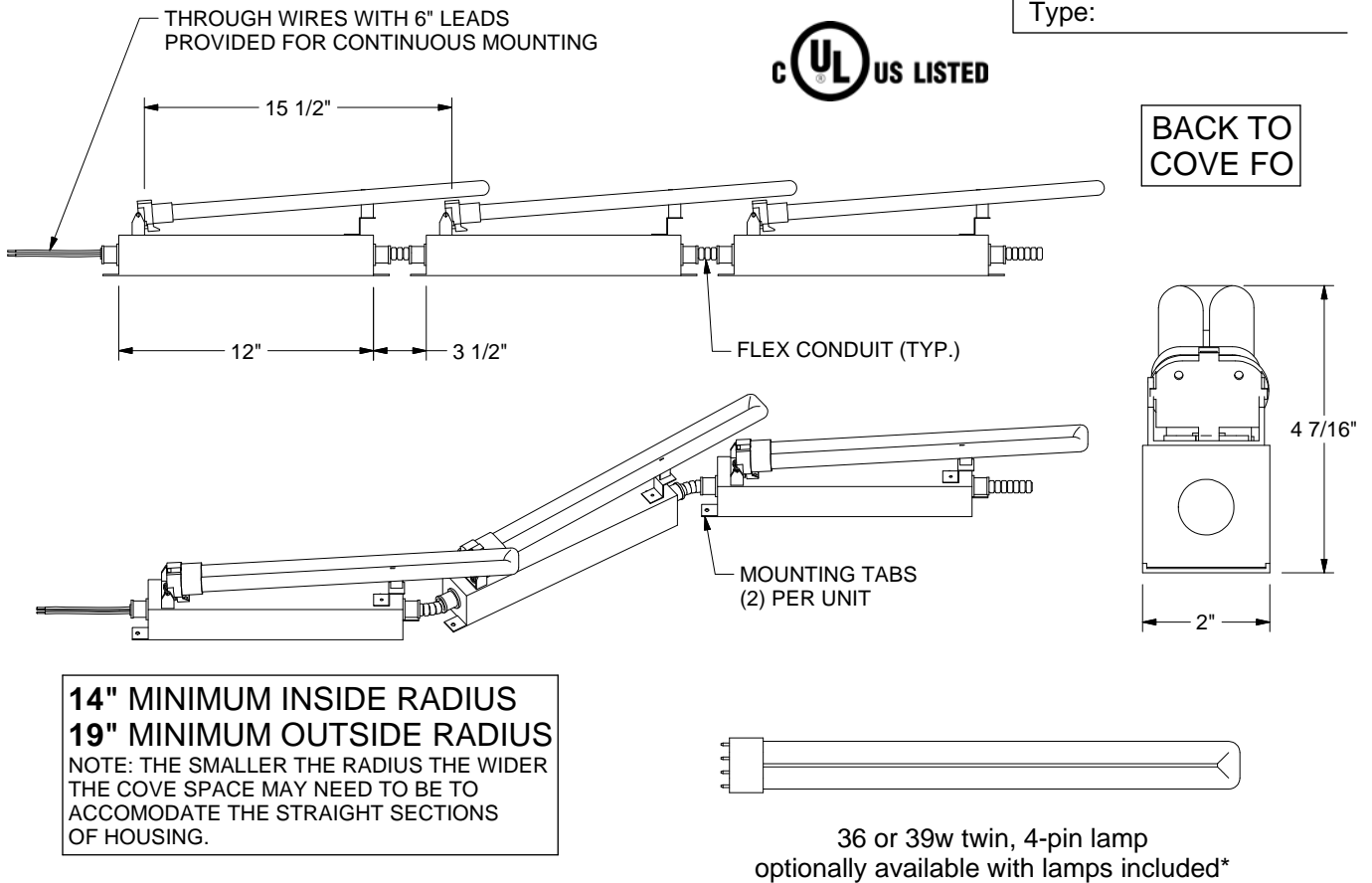
- Extruded 6063-T5 aluminum base and cover with .060 nominal wall thickness.
 - Satin anodized and mill aluminum finish. Custom finishes available on special request.
 - Lamps mounted on 11.75 in. centers for continuous row fixture.
 - Supplied with 2G11 lamp holder.
 - Overlapping lamps for continuous even light distribution.
 - Easy installation with end cap mounting tabs.
 - Electronic, High Power Factor, instant start ballast, is standard.
 - Snap off cover for easy access to ballast and wiring compartment.
 - All units are UL & CUL LISTED dry locations.
 - Consult factory for special miters, lamp spacing and lamp base options.
- * If ordered with lamps, 3500k color temperature is standard, other lamp colors may be available.

<u>MULTIPLE UNIT CATALOG NO.</u>	<u>LENGTH (Specify)</u>	<u>VOLTAGE</u>
23080FO-X	____ FT. ____ IN.	120
23087FO-X	____ FT. ____ IN.	277

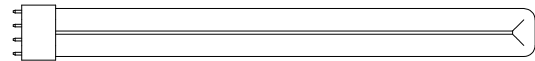


AIREY-THOMPSON™
Manufacturing Quality Luminaires

**23 SERIES
COVE LIGHTING**
36/39W TWIN TUBE, 4 PIN LAMPS (2G11 BASE)
FIELD FLEXIBLE WITH OVERLAPPING LAMPS



14" MINIMUM INSIDE RADIUS
19" MINIMUM OUTSIDE RADIUS
NOTE: THE SMALLER THE RADIUS THE WIDER THE COVE SPACE MAY NEED TO BE TO ACCOMODATE THE STRAIGHT SECTIONS OF HOUSING.

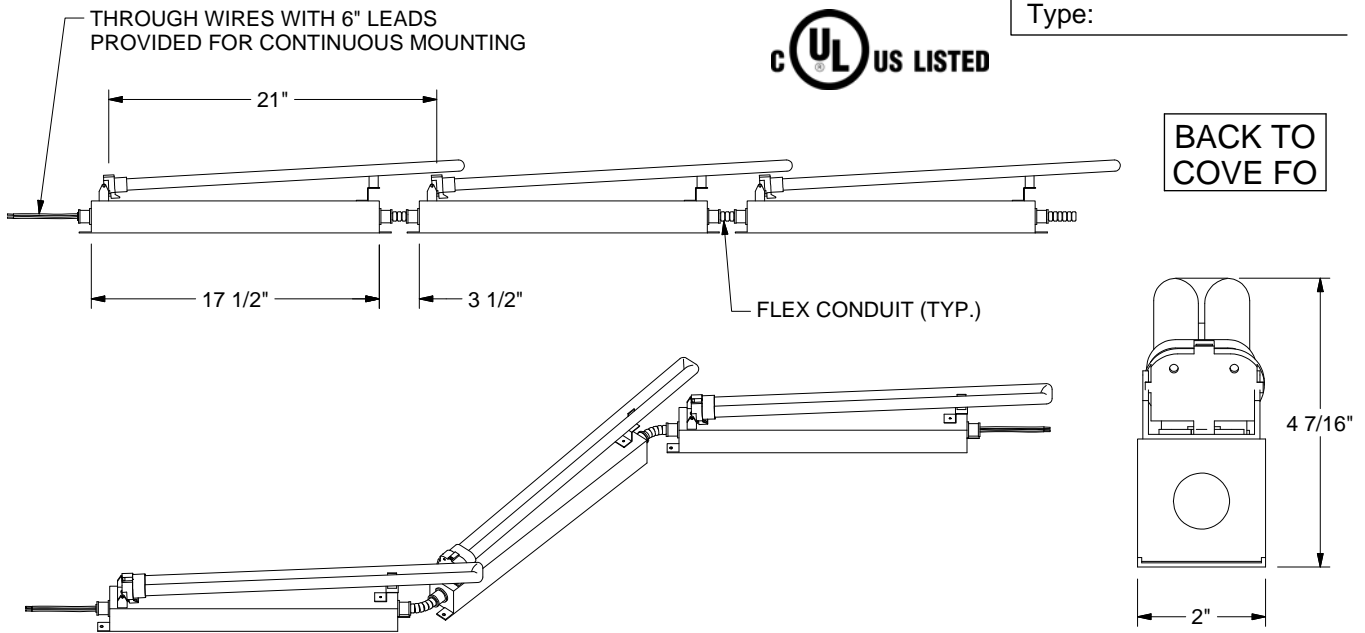


36 or 39w twin, 4-pin lamp
optionally available with lamps included*

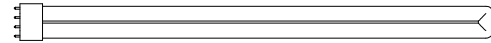
SPECIFICATIONS

- Extruded 6063-T5 aluminum base and cover with .060 nominal wall thickness.
 - Satin anodized and mill aluminum finish. Custom finishes available on special request.
 - Lamps mounted on 15.5 in. centers for continuous row fixture.
 - Supplied with 2G11 lamp holder.
 - Overlapping lamps for continuous even light distribution.
 - Easy installation with end cap mounting tabs.
 - Electronic, High Power Factor, instant start ballast, is standard.
 - Snap off cover for easy access to ballast and wiring compartment.
 - All units are UL & CUL LISTED dry locations.
 - Consult factory for special miters, lamp spacing and lamp base options.
- * If ordered with lamps, 3500k color temperature is standard, other lamp colors may be available.

<u>MULTIPLE UNIT CATALOG NO.</u>	<u>LENGTH (Specify)</u>	<u>VOLTAGE</u>
23090FO-X	____ FT. ____ IN.	120
23097FO-X	____ FT. ____ IN.	277



18" MINIMUM INSIDE RADIUS
24" MINIMUM OUTSIDE RADIUS
NOTE: THE SMALLER THE RADIUS THE WIDER THE COVE SPACE MAY NEED TO BE TO ACCOMMODATE THE STRAIGHT SECTIONS OF HOUSING.

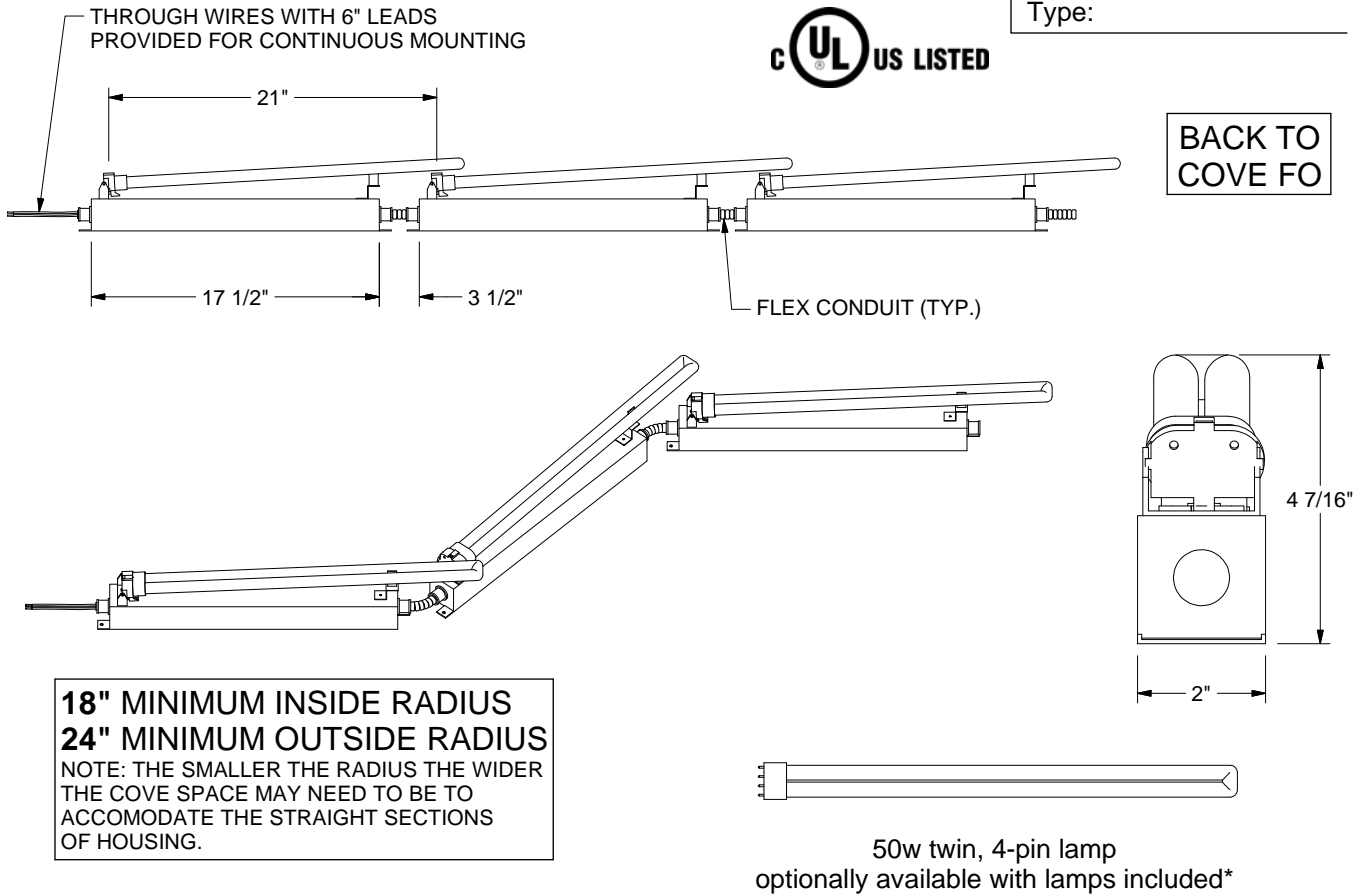


40w twin, 4-pin lamp
optionally available with lamps included*

SPECIFICATIONS

- Extruded 6063-T5 aluminum base and cover with .060 nominal wall thickness.
 - Satin anodized and mill aluminum finish. Custom finishes available on special request.
 - Lamps mounted on 21.0 in. centers for continuous row fixture.
 - Supplied with 2G11 lamp holder.
 - Overlapping lamps for continuous even light distribution.
 - Easy installation with end cap mounting tabs.
 - Electronic, High Power Factor, instant start ballast, is standard.
 - Snap off cover for easy access to ballast and wiring compartment.
 - All units are UL & CUL LISTED dry locations.
 - Consult factory for special miters, lamp spacing and lamp base options.
- * If ordered with lamps, 3500k color temperature is standard, other lamp colors may be available.

<u>MULTIPLE UNIT CATALOG NO.</u>	<u>LENGTH (Specify)</u>	<u>VOLTAGE</u>
23100FO-X	____ FT. ____ IN.	120
23107FO-X	____ FT. ____ IN.	277



SPECIFICATIONS

- Extruded 6063-T5 aluminum base and cover with .060 nominal wall thickness.
 - Satin anodized and mill aluminum finish. Custom finishes available on special request.
 - Lamps mounted on 21.0 in. centers for continuous row fixture.
 - Supplied with 2G11 lamp holder.
 - Overlapping lamps for continuous even light distribution.
 - Easy installation with end cap mounting tabs.
 - Electronic, High Power Factor, instant start ballast, is standard.
 - Snap off cover for easy access to ballast and wiring compartment.
 - All units are UL & CUL LISTED dry locations.
 - Consult factory for special miters, lamp spacing and lamp base options.
- * If ordered with lamps, 3500k color temperature is standard, other lamp colors may be available.

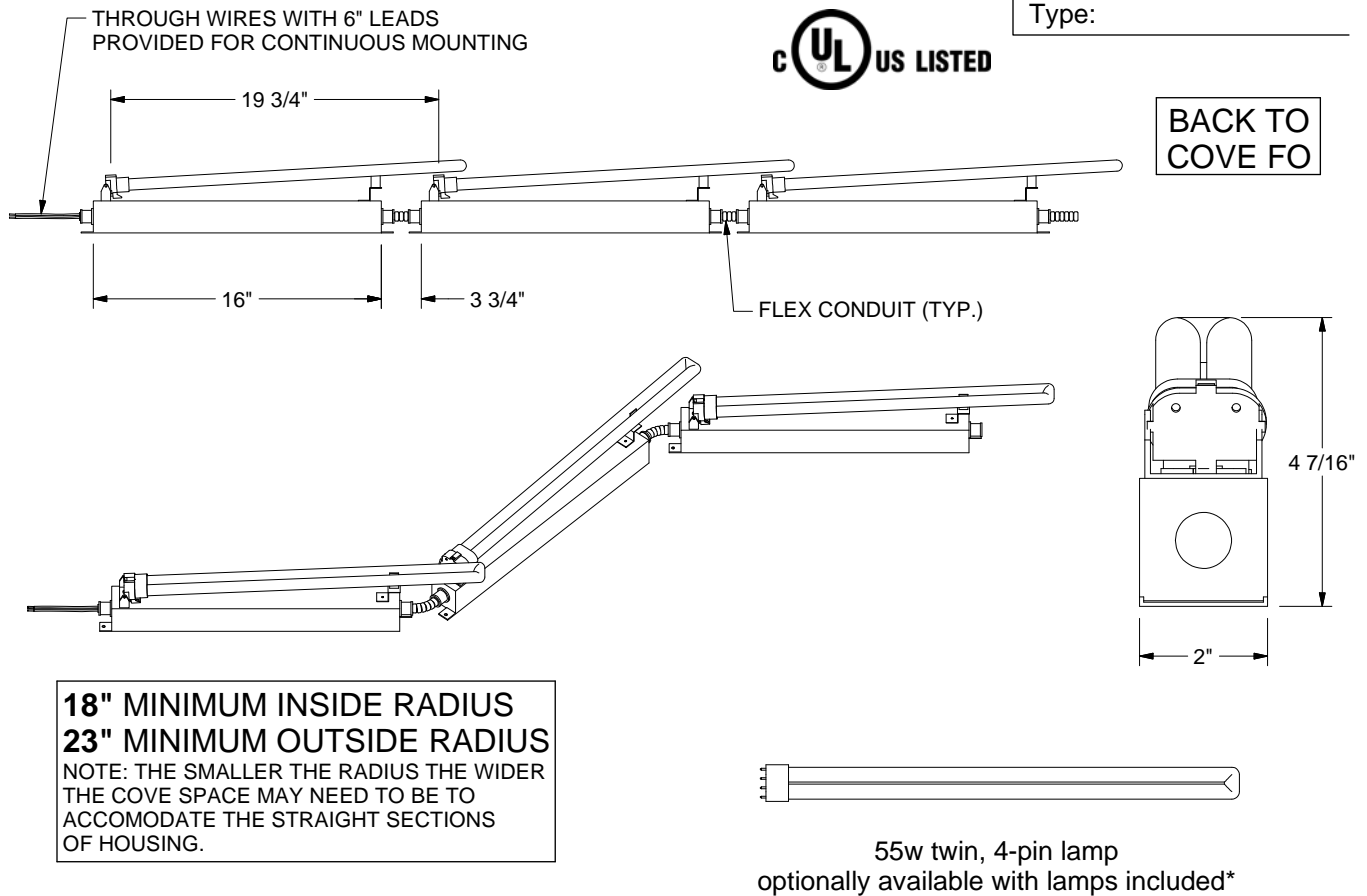
<u>MULTIPLE UNIT CATALOG NO.</u>	<u>LENGTH (Specify)</u>	<u>VOLTAGE</u>
23110FO-X	____ FT. ____ IN.	120
23117FO-X	____ FT. ____ IN.	277



AIREY-THOMPSON™
Manufacturing Quality Luminaires

23 SERIES COVE LIGHTING

55W TWIN TUBE, 4 PIN LAMPS (2G11 BASE)
FIELD FLEXIBLE WITH OVERLAPPING LAMPS



SPECIFICATIONS

- Extruded 6063-T5 aluminum base and cover with .060 nominal wall thickness.
 - Satin anodized and mill aluminum finish. Custom finishes available on special request.
 - Lamps mounted on 19.75 in. centers for continuous row fixture.
 - Supplied with 2G11 lamp holder.
 - Overlapping lamps for continuous even light distribution.
 - Easy installation with end cap mounting tabs.
 - Electronic, High Power Factor, instant start ballast, is standard.
 - Snap off cover for easy access to ballast and wiring compartment.
 - All units are UL & CUL LISTED dry locations.
 - Consult factory for special miters, lamp spacing and lamp base options.
- * If ordered with lamps, 3500k color temperature is standard, other lamp colors may be available.

<u>MULTIPLE UNIT CATALOG NO.</u>	<u>LENGTH (Specify)</u>	<u>VOLTAGE</u>
23120FO-X	____ FT. ____ IN.	120
23127FO-X	____ FT. ____ IN.	277



AIREY-THOMPSON™
Manufacturing Quality Luminaires

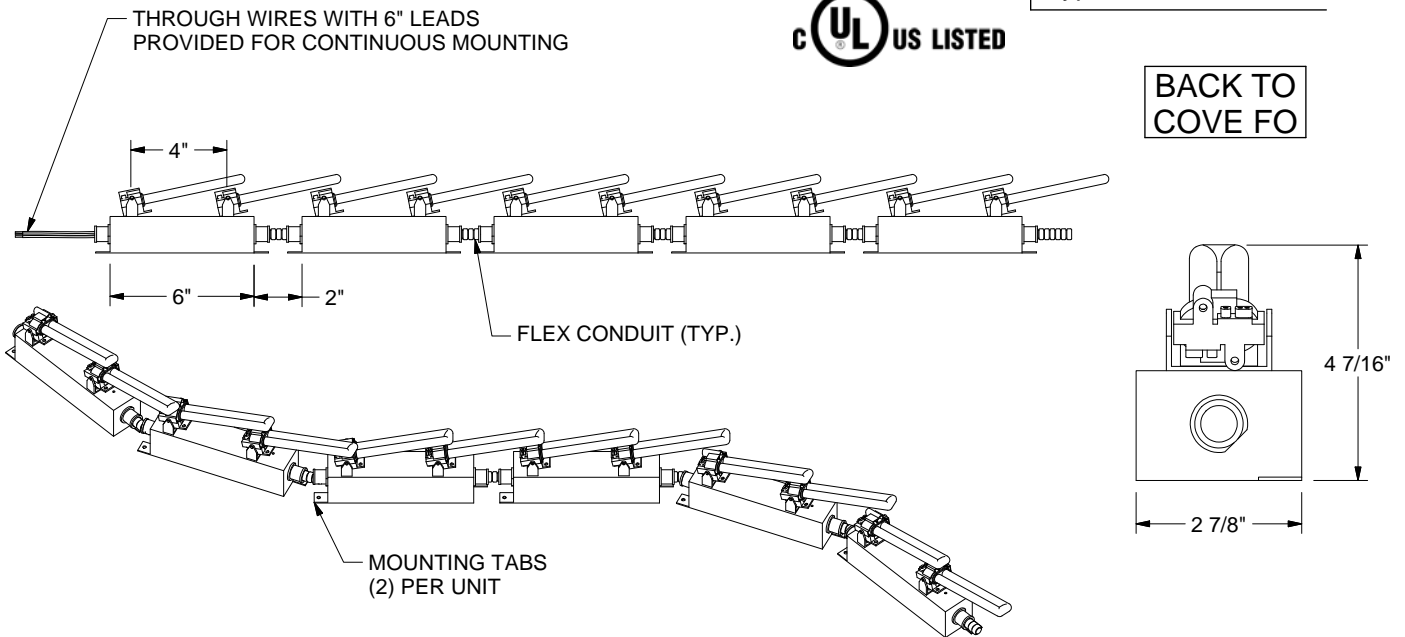
32 SERIES COVE LIGHTING

7/9W TWIN TUBE, 4-PIN LAMPS(2G7 BASE)
FIELD FLEXIBLE WITH OVERLAPPING LAMPS

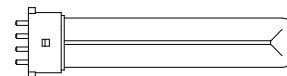
Type: _____



BACK TO
COVE FO



12" MINIMUM INSIDE RADIUS
16" MINIMUM OUTSIDE RADIUS
NOTE: THE SMALLER THE RADIUS THE WIDER
THE COVE SPACE MAY NEED TO BE TO
ACCOMMODATE THE STRAIGHT SECTIONS
OF HOUSING.



7 or 9w twin 4-pin lamp
optionally available with lamps included*

SPECIFICATIONS

- Extruded 6063-T5 aluminum base and cover with .060 nominal wall thickness.
 - Satin anodized and mill aluminum finish. Custom finishes available on special request.
 - Lamps mounted on 4.0 in. centers for continuous row fixture.
 - Supplied with 2G7 lamp base.
 - Overlapping lamps for continuous even light distribution.
 - Easy installation with end cap mounting tabs.
 - Snap off cover for easy access to ballast and wiring compartment.
 - All units are UL & CUL LISTED dry locations.
 - Electronic, high power factor, instant start ballast is standard.
 - Consult factory for special miters, and lamp base options.
 - On continuous row fixtures the standard lamp spacing is maintained and any difference in length is balanced out on each end.
- * If ordered with lamps, 3500k color temperature is standard, other colors may be available.

<u>MULTIPLE UNIT CATALOG NO.</u>	<u>LENGTH (Specify)</u>	<u>VOLTAGE</u>
32040FO-X	____ FT. ____ IN.	120
32047FO-X	____ FT. ____ IN.	277



AIREY-THOMPSON™
Manufacturing Quality Luminaires

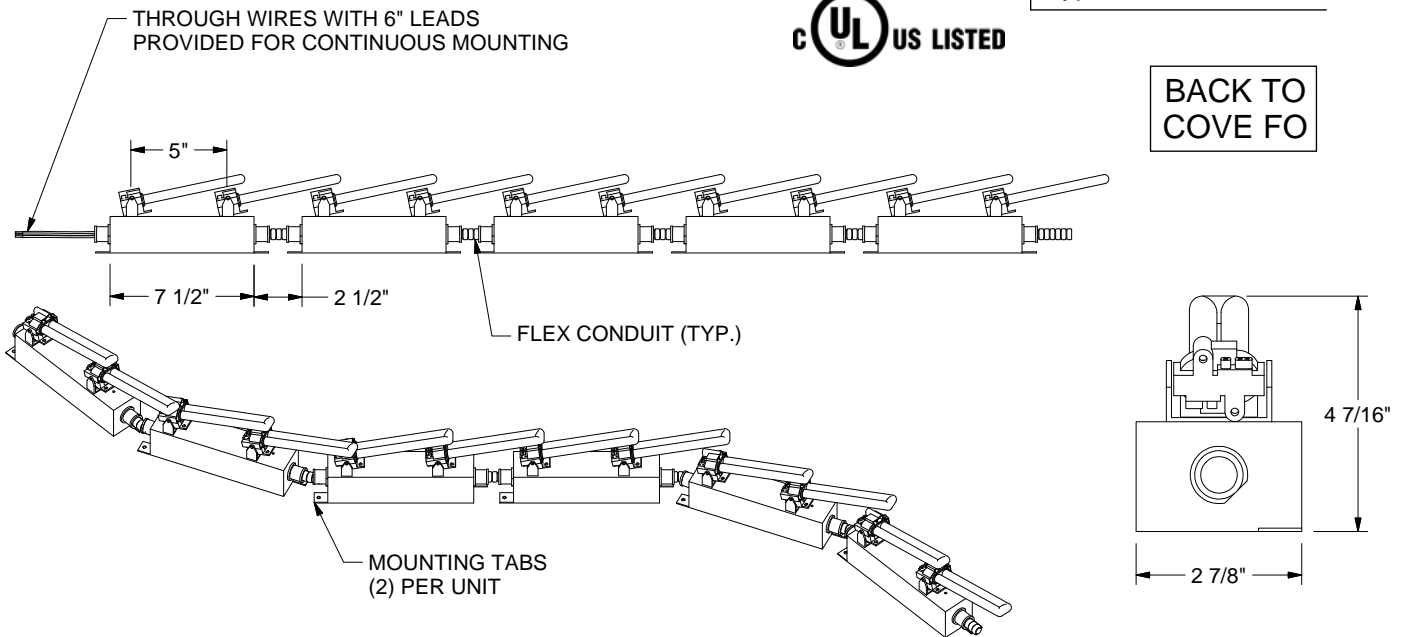
32 SERIES COVE LIGHTING

13W TWIN TUBE, 4-PIN LAMPS (2GX7 BASE)
FIELD FLEXIBLE WITH OVERLAPPING LAMPS

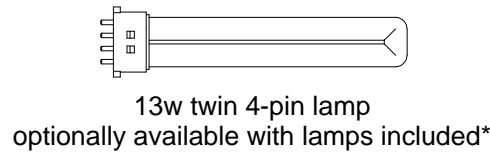
Type: _____



BACK TO
COVE FO



12" MINIMUM INSIDE RADIUS
16" MINIMUM OUTSIDE RADIUS
NOTE: THE SMALLER THE RADIUS THE WIDER
THE COVE SPACE MAY NEED TO BE TO
ACCOMMODATE THE STRAIGHT SECTIONS
OF HOUSING.



SPECIFICATIONS

- Extruded 6063-T5 aluminum base and cover with .060 nominal wall thickness.
 - Satin anodized and mill aluminum finish. Custom finishes available on special request.
 - Lamps mounted on 5.0 in. centers for continuous row fixture.
 - Supplied with 2GX7 lamp base.
 - Overlapping lamps for continuous even light distribution.
 - Easy installation with end cap mounting tabs.
 - Snap off cover for easy access to ballast and wiring compartment.
 - All units are UL & CUL LISTED dry locations.
 - Electronic, high power factor, instant start ballast is standard.
 - Consult factory for special miters, and lamp base options.
 - On continuous row fixtures the standard lamp spacing is maintained and any difference in length is balanced out on each end.
- * If ordered with lamps, 3500k color temperature is standard, other colors may be available.

<u>MULTIPLE UNIT CATALOG NO.</u>	<u>LENGTH (Specify)</u>	<u>VOLTAGE</u>
32050FO-X	____ FT. ____ IN.	120
32057FO-X	____ FT. ____ IN.	277

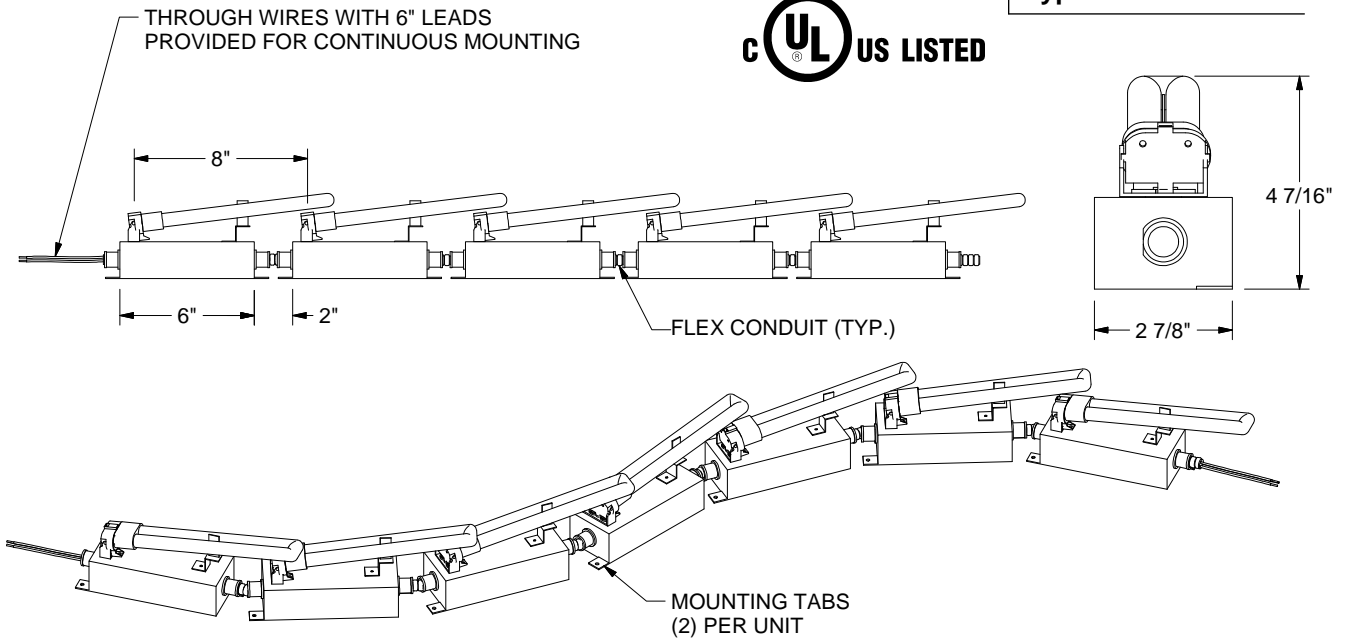


AIREY-THOMPSON™
Manufacturing Quality Luminaires

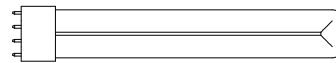
32 SERIES COVE LIGHTING

18W TWIN TUBE, 4-PIN LAMPS (2G11 BASE)
FIELD FLEXIBLE WITH OVERLAPPING LAMPS

Type: _____



12" MINIMUM INSIDE RADIUS
16" MINIMUM OUTSIDE RADIUS
NOTE: THE SMALLER THE RADIUS THE WIDER THE COVE SPACE MAY NEED TO BE TO ACCOMMODATE THE STRAIGHT SECTIONS OF HOUSING.



18w twin, 4-pin lamp
optionally available with lamps included*

**BACK TO
COVE FO**

SPECIFICATIONS

- Extruded 6063-T5 aluminum base and cover with .060 nominal wall thickness.
 - Satin anodized and mill aluminum finish. Custom finishes available on special request.
 - Lamps mounted on 8.0 in. centers for continuous row fixture.
 - Supplied with 2G11 lamp base.
 - Electronic, High Power Factor, instant start ballast, is standard.
 - Overlapping lamps for continuous and even light distribution.
 - Easy installation with end cap mounting tabs.
 - Snap off cover for easy access to ballast and wiring compartment.
 - All units are UL & CUL LISTED dry locations.
 - Consult factory for special miters, lamp spacing and lamp base options.
- * If ordered with lamps, 3500k color temperature is standard, other lamp colors may be available.

<u>MULTIPLE UNIT CATALOG NO.</u>	<u>LENGTH (Specify)</u>	<u>VOLTAGE</u>
32060FO-X	____ FT. ____ IN.	120
32067FO-X	____ FT. ____ IN.	277



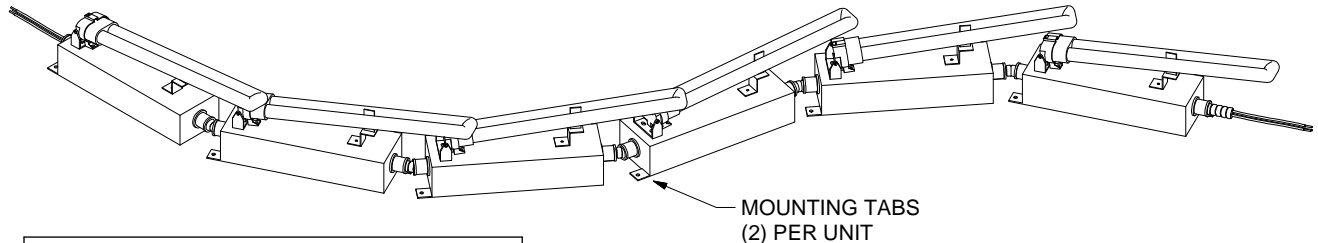
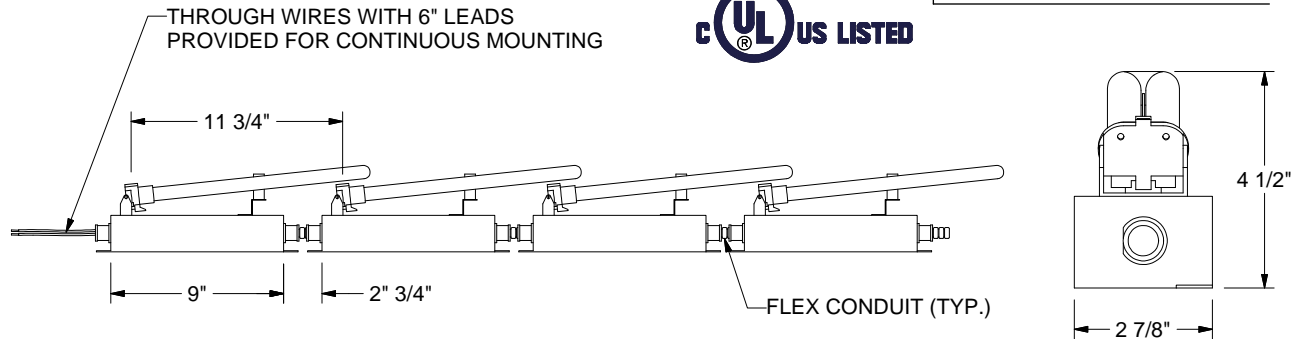
AIREY-THOMPSON™
Manufacturing Quality Luminaires

32 SERIES COVE LIGHTING

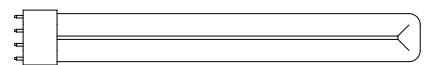
24/27W TWIN TUBE, 4-PIN LAMPS (2G11 BASE)

FIELD FLEXIBLE WITH OVERLAPPING LAMPS

Type: _____



12" MINIMUM INSIDE RADIUS
16" MINIMUM OUTSIDE RADIUS
NOTE: THE SMALLER THE RADIUS THE WIDER THE COVE SPACE MAY NEED TO BE TO ACCOMODATE THE STRAIGHT SECTIONS OF HOUSING.



24 or 27w twin, 4-pin lamp
optionally available with lamps included*

**BACK TO
COVE FO**

SPECIFICATIONS

- Extruded 6063-T5 aluminum base and cover with .060 nominal wall thickness.
- Satin anodized and mill aluminum finish. Custom finishes available on special request.
- Lamps mounted on 11.75 in. centers for continuous row fixture.
- Supplied with 2G11 lamp holder.
- Electronic, High Power Factor, instant start ballast, is standard.
- Overlapping lamps for continuous and even light distribution.
- Easy installation with end cap mounting tabs.
- Snap off cover for easy access to ballast and wiring compartment.
- All units are UL & CUL LISTED dry locations.
- Consult factory for special miters, lamp spacing and lamp base options.

* If ordered with lamps, 3500k color temp is standard, other lamp colors may be available.

<u>MULTIPLE UNIT CATALOG NO.</u>	<u>LENGTH (Specify)</u>	<u>VOLTAGE</u>
32080FO-X	____ FT. ____ IN.	120
32087FO-X	____ FT. ____ IN.	277

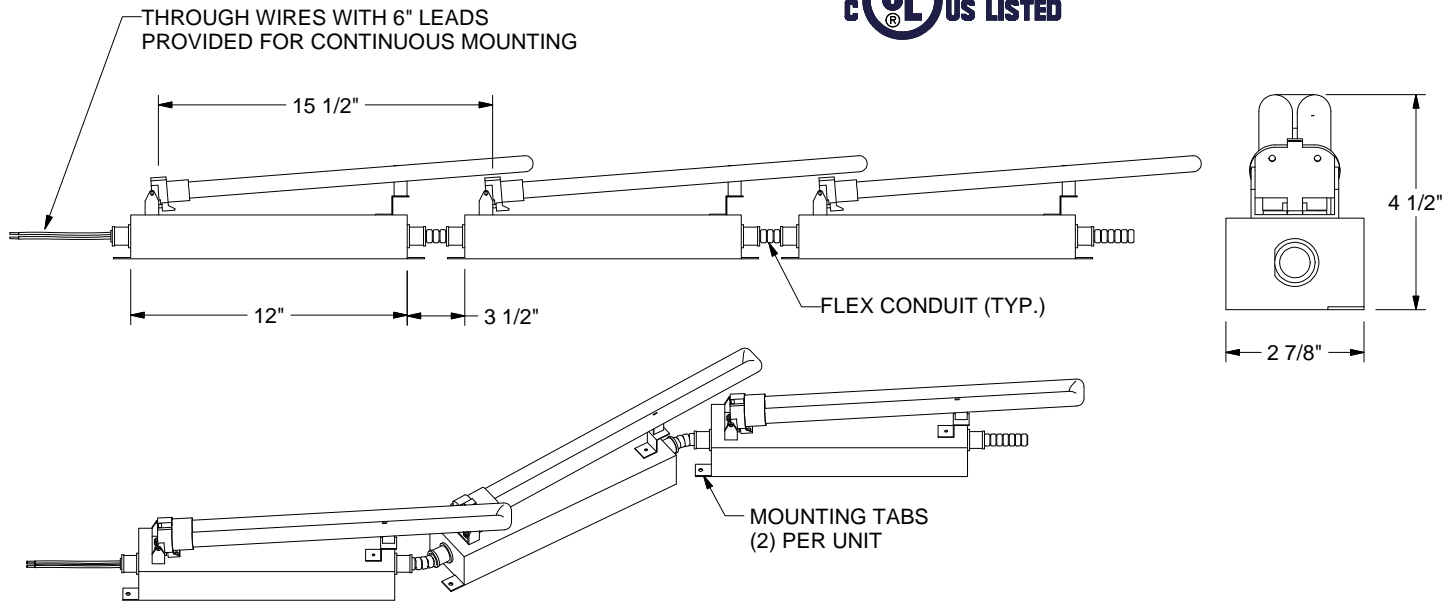


AIREY-THOMPSON™
Manufacturing Quality Luminaires

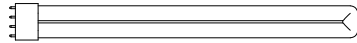
32 SERIES COVE LIGHTING

36/39W TWIN TUBE, 4-PIN LAMPS (2G11 BASE)
FIELD FLEXIBLE WITH OVERLAPPING LAMPS

Type: _____



14" MINIMUM INSIDE RADIUS
19" MINIMUM OUTSIDE RADIUS
NOTE: THE SMALLER THE RADIUS THE WIDER THE COVE SPACE MAY NEED TO BE TO ACCOMMODATE THE STRAIGHT SECTIONS OF HOUSING.


36 or 39w twin, 4-pin lamp
optionally available with lamps included*

**BACK TO
COVE FO**

SPECIFICATIONS

- Extruded 6063-T5 aluminum base and cover with .060 nominal wall thickness.
 - Satin anodized and mill aluminum finish. Custom finishes available on special request.
 - Lamps mounted on 15.5 in. centers for continuous row fixture.
 - Supplied with 2G11 lamp holder.
 - Electronic, High Power Factor, instant start ballast, is standard.
 - Overlapping lamps for continuous and even light distribution.
 - Easy installation with end cap mounting tabs.
 - Snap off cover for easy access to ballast and wiring compartment.
 - All units are UL & CUL LISTED dry locations.
 - Consult factory for special miters, lamp spacing and lamp base options.
- * If ordered with lamps, 3500k color temperature is standard, other lamp colors may be available.

<u>MULTIPLE UNIT CATALOG NO.</u>	<u>LENGTH (Specify)</u>	<u>VOLTAGE</u>
32090FO-X	____ FT. ____ IN.	120
32097FO-X	____ FT. ____ IN.	277



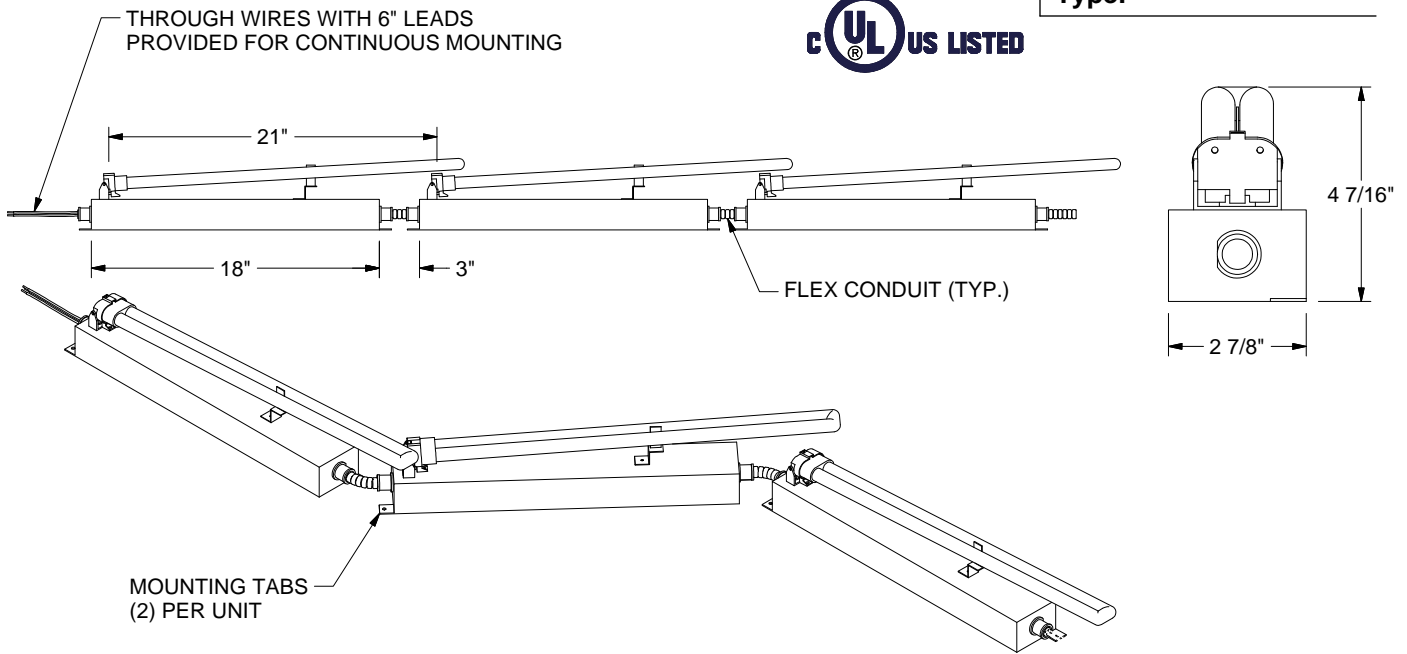
AIREY-THOMPSON™
Manufacturing Quality Luminaires

32 SERIES COVE LIGHTING

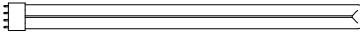
40W TWIN TUBE, 4-PIN LAMPS (2G11 BASE)

FIELD FLEXIBLE WITH OVERLAPPING LAMPS

Type: _____



18" MINIMUM INSIDE RADIUS
24" MINIMUM OUTSIDE RADIUS
NOTE: THE SMALLER THE RADIUS THE WIDER THE COVE SPACE MAY NEED TO BE TO ACCOMMODATE THE STRAIGHT SECTIONS OF HOUSING.


40w twin, 4-pin lamp
optionally available with lamps included*

**BACK TO
COVE FO**

SPECIFICATIONS

- Extruded 6063-T5 aluminum base and cover with .060 nominal wall thickness.
 - Satin anodized and mill aluminum finish. Custom finishes available on special request.
 - Lamps mounted on 21.0 in. centers for continuous row fixture.
 - Supplied with 2G11 lamp holder.
 - Electronic, High Power Factor, instant start ballast, is standard.
 - Overlapping lamps for continuous and even light distribution.
 - Easy installation with end cap mounting tabs.
 - Snap off cover for easy access to ballast and wiring compartment.
 - All units are UL & CUL LISTED dry locations.
 - Consult factory for special miters, lamp spacing and lamp base options.
- * If ordered with lamps, 3500k color temperature is standard, other lamp colors may be available.

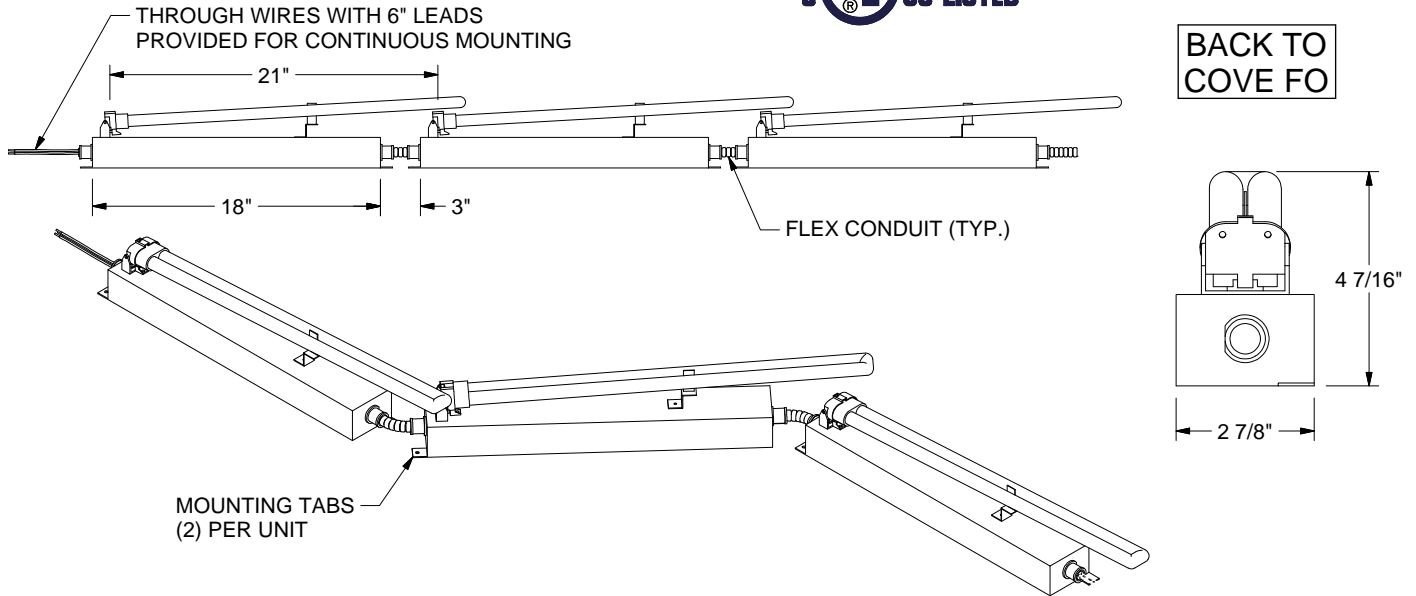
<u>MULTIPLE UNIT CATALOG NO.</u>	<u>LENGTH (Specify)</u>	<u>VOLTAGE</u>
32100FO-X	____ FT. ____ IN.	120
32107FO-X	____ FT. ____ IN.	277




AIREY-THOMPSON™
Manufacturing Quality Luminaires

**32 SERIES
COVE LIGHTING**
50W TWIN TUBE, 4-PIN LAMPS (2G11 BASE)
FIELD FLEXIBLE WITH OVERLAPPING LAMPS

Type: _____



18" MINIMUM INSIDE RADIUS
24" MINIMUM OUTSIDE RADIUS
NOTE: THE SMALLER THE RADIUS THE WIDER THE COVE SPACE MAY NEED TO BE TO ACCOMODATE THE STRAIGHT SECTIONS OF HOUSING.


50w twin, 4-pin lamp
optionally available with lamps included*

SPECIFICATIONS

- Extruded 6063-T5 aluminum base and cover with .060 nominal wall thickness.
 - Satin anodized and mill aluminum finish. Custom finishes available on special request.
 - Lamps mounted on 21.0 in. centers for continuous row fixture.
 - Supplied with 2G11 lamp holder.
 - Electronic, high power factor, instant start, ballast is standard.
 - Overlapping lamps for continuous and even light distribution.
 - Easy installation with end cap mounting tabs.
 - Snap off cover for easy access to ballast and wiring compartment.
 - All units are UL & CUL LISTED dry locations.
 - Consult factory for special miters, lamp spacing and lamp base options.
- * If ordered with lamps, 3500k color temperature is standard, other lamp colors may be available.

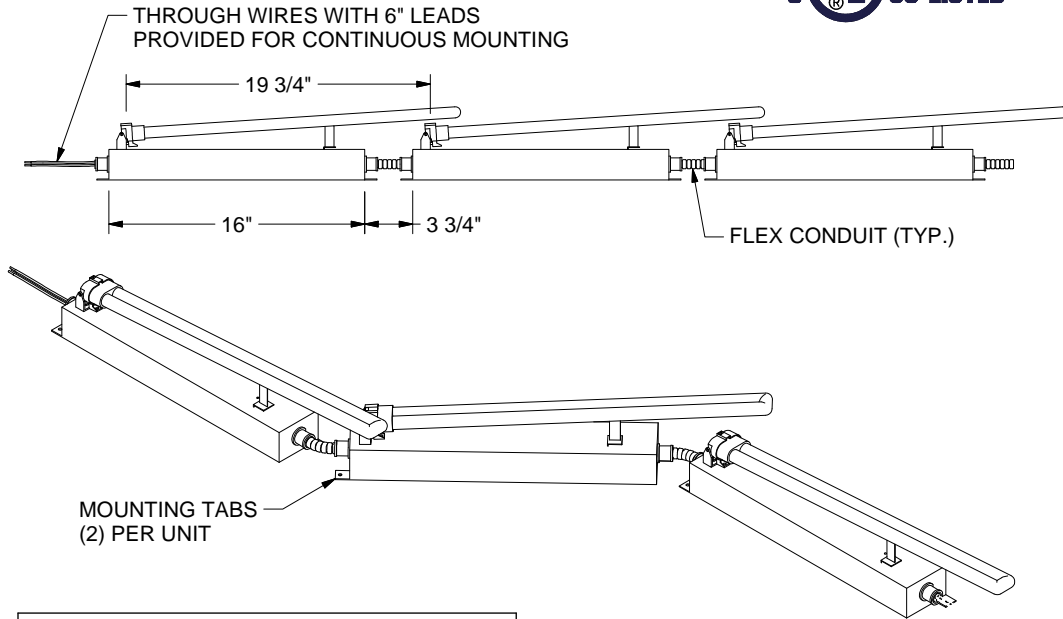
<u>MULTIPLE UNIT CATALOG NO.</u>	<u>LENGTH (Specify)</u>	<u>VOLTAGE</u>
32110FO-X	____ FT. ____ IN.	120
32117FO-X	____ FT. ____ IN.	277



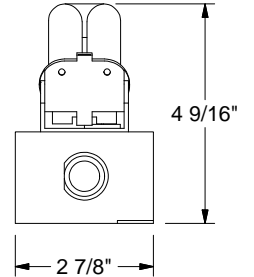
AIREY-THOMPSON™
Manufacturing Quality Luminaires

**32 SERIES
COVE LIGHTING**
55W TWIN TUBE, 4-PIN LAMPS (2G11 BASE)
FIELD FLEXIBLE WITH OVERLAPPING LAMPS

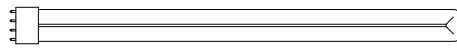
Type: _____



BACK TO
COVE FO



18" MINIMUM INSIDE RADIUS
23" MINIMUM OUTSIDE RADIUS
NOTE: THE SMALLER THE RADIUS THE WIDER
THE COVE SPACE MAY NEED TO BE TO
ACCOMMODATE THE STRAIGHT SECTIONS
OF HOUSING.



55w twin, 4-pin lamp
optionally available with lamps included*

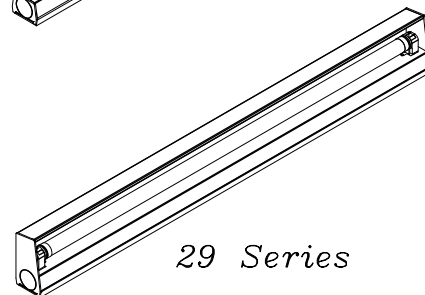
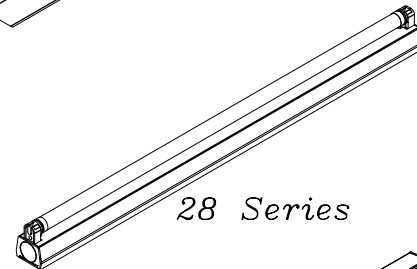
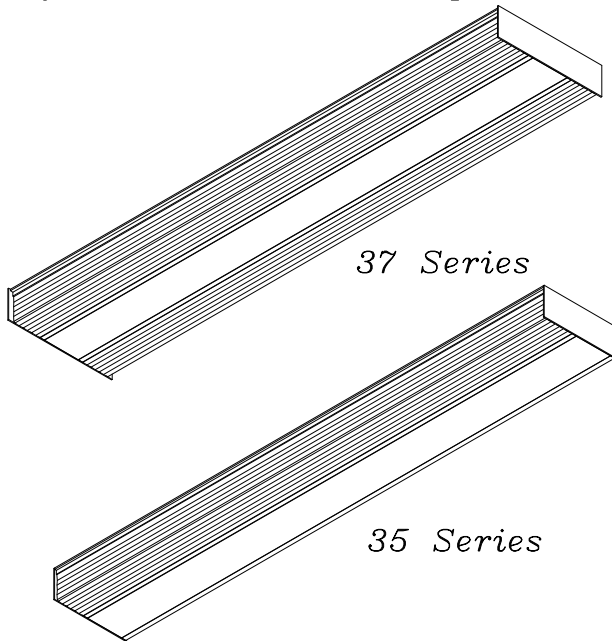
SPECIFICATIONS

- Extruded 6063-T5 aluminum base and cover with .060 nominal wall thickness.
 - Satin anodized and mill aluminum finish. Custom finishes available on special request.
 - Lamps mounted on 19.75 in. centers for continuous row fixture.
 - Supplied with 2G11 lamp holder.
 - Electronic, High Power Factor, instant start ballast, is standard.
 - Overlapping lamps for continuous even light distribution.
 - Easy installation with end cap mounting tabs.
 - Snap off cover for easy access to ballast and wiring compartment.
 - All units are UL & CUL LISTED dry locations.
 - Consult factory for special miters, lamp spacing and lamp base options.
- * If ordered with lamps, 3500k color temperature is standard, other lamp colors may be available.

<u>MULTIPLE UNIT CATALOG NO.</u>	<u>LENGTH (Specify)</u>	<u>VOLTAGE</u>
32120FO-X	____ FT. ____ IN.	120
32127FO-X	____ FT. ____ IN.	277

AMBIENT FLUORESCENT SECTION 6

Airey-Thompson offers a variety of ambient fluorescent fixtures to meet your specific need. See the following pages for selecting the appropriate fixture. Crafted out of anodized extruded aluminum, custom finishes upon request. This UL and CUL Listed fixture has the wiring and ballast in an easily accessible compartment with snap-off cover. Any number of commercial environments can benefit from this efficient, versatile lighting family – from warehouse to retail space. For more detailed information consult the spec. sheets.



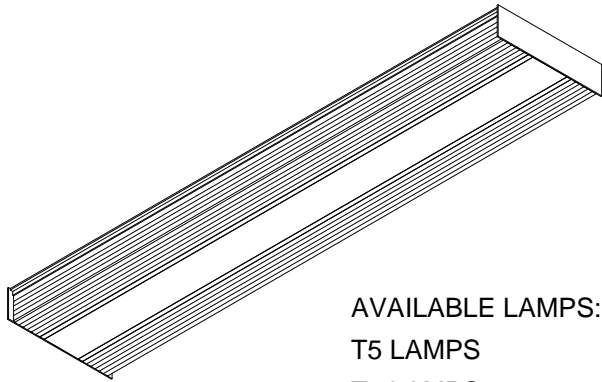
At Airey-Thompson we utilize modern efficient technology to enhance traditional concepts and develop new ones that exceed field demands. Our customers have come to rely on the quality and functionality of our products.

We welcome lighting challenges, as well as your inquiries. Call today to discuss your special requirements.



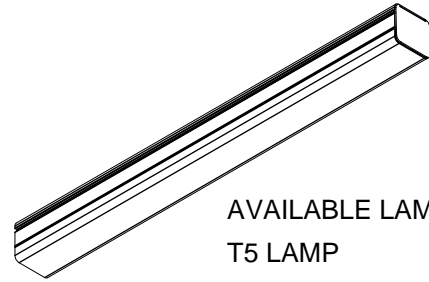
AMBIENT FLUORESCENT SECTION 6

BACK TO
TABLE OF
CONTENTS



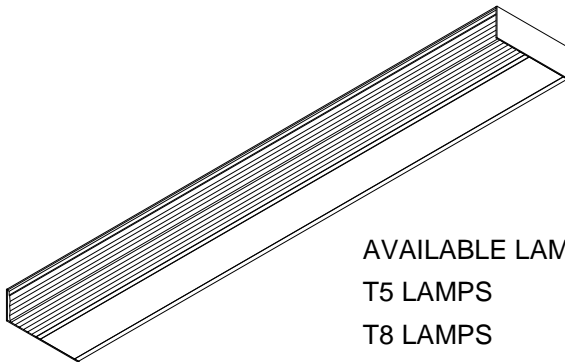
37 Series

AVAILABLE LAMPS:
T5 LAMPS
T8 LAMPS



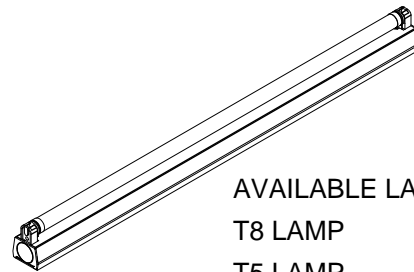
61 Series

AVAILABLE LAMPS:
T5 LAMP



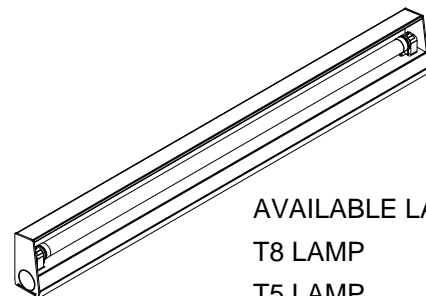
35 Series

AVAILABLE LAMPS:
T5 LAMPS
T8 LAMPS



28 Series

AVAILABLE LAMPS:
T8 LAMP
T5 LAMP
T5HO LAMP

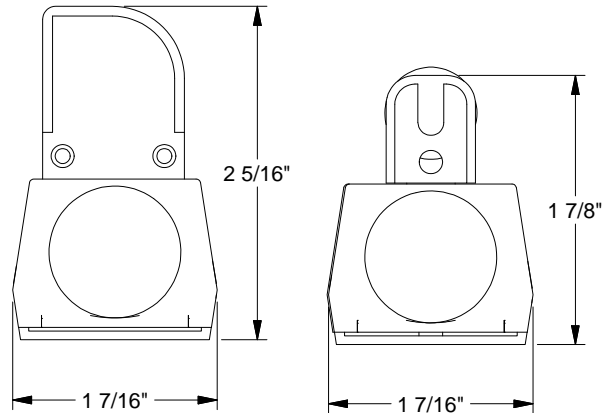
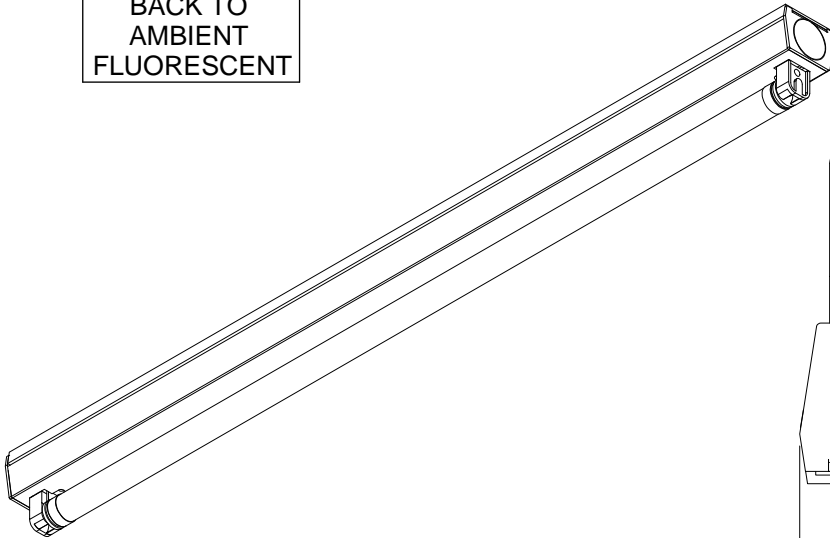


29 Series

AVAILABLE LAMPS:
T8 LAMP
T5 LAMP
T5HO LAMP

Type: _____

BACK TO
AMBIENT
FLUORESCENT



SPECIFICATIONS

- Satin anodized aluminum finish is standard. Custom finishes available upon request.
- All models equipped with integral 120 volt electronic ballasts, 277 may also be available.
- Small cross section allows placement in shallow, space restricted locations.
- Luminaires can be wall or surface mounted or suspended with aircraft cables.
- Robust housing includes extruded 6063T-5 aluminum base & cover with .060 nominal wall thickness.
- All models shipped with spring mounting clips for easy luminaire mounting.
- Available for use with a wide variety of lamp types, see lamp chart for selection.
- Available in hardwired configurations or with cord and switch.
- All hardwired models equipped with #18 GA thru wires and coupler for continuous row installations.
- All hardwired models include threaded end caps, and KO's in the base to allow feeding from ends or back.
- Tube guards available upon request.
- All units are UL & CUL LISTED damp locations.
- The factory will be happy to discuss all of your special requests.

How to build a part number	Product Series	Quantity of lamps	Lamp code	Wiring Options
Part number format	28	2	17T8	1
Choices	28	1 OR 2 Lamps are standard.	See lamp chart for lamp selection & length	1= hardwired w/ through wires 2= w/ cord & switch

**28 Series Luminaire
Lamp/Length Chart**

Lamp Type	Lamp Code (For P/N)	Luminaire Length (includes end caps)	
		1 Lamp	2 Lamp

T8

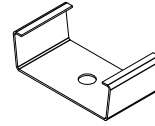
F14T8	14T8	15 3/4"	30 3/4"
F15T8	15T8	18 3/4"	36 3/4"
F17T8	17T8	24 3/4"	48 3/4"
F25T8	25T8	36 3/4"	72 3/4"
F32T8	32T8	48 3/4"	96 3/4"

T5

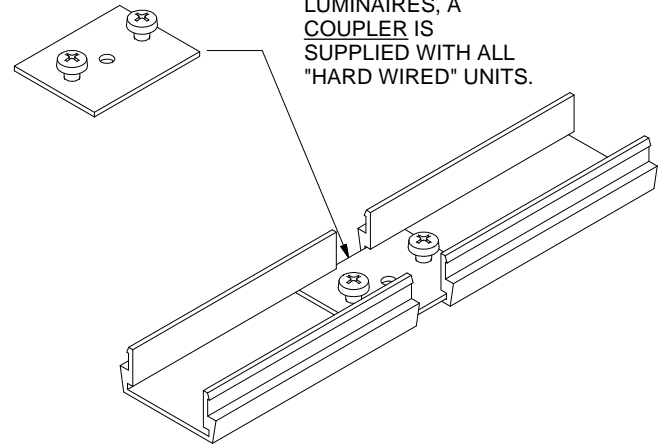
F6T5	6T5	9 3/4"	18 7/8"
F8T5	8T5	12 3/4"	24 7/8"
F13T5	13T5	21 3/4"	42 7/8"
F14T5	14T5	23"	45 7/16"
F21T5	21T5	34 13/16"	69"
F28T5	28T5	46 5/8"	92 5/8"
F35T5	35T5	58 1/2"	116 7/16"

T5 HO

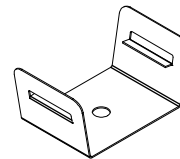
F24T5	24T5	23"	45 7/16"
F39T5	39T5	34 13/16"	69"
F54T5	54T5	46 5/8"	92 5/8"



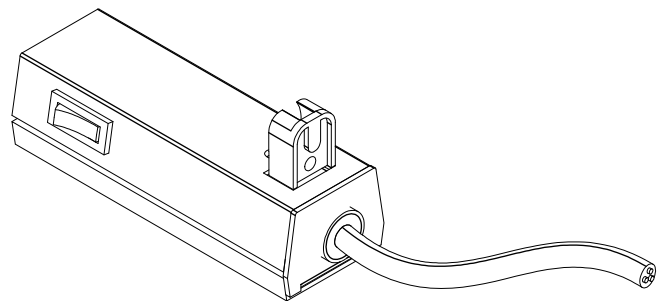
"PERMANENT" TYPE SPRING STEEL MOUNTING CLIPS SUPPLIED WITH ALL "HARD WIRED" UNITS.



FOR END TO END MOUNTING OF LUMINAIRES, A COUPLER IS SUPPLIED WITH ALL "HARD WIRED" UNITS.



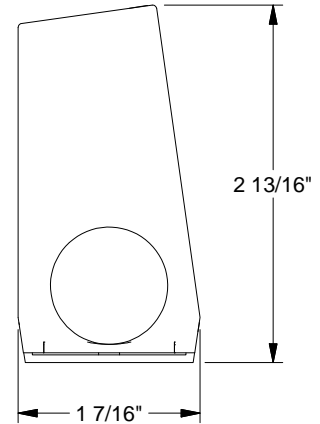
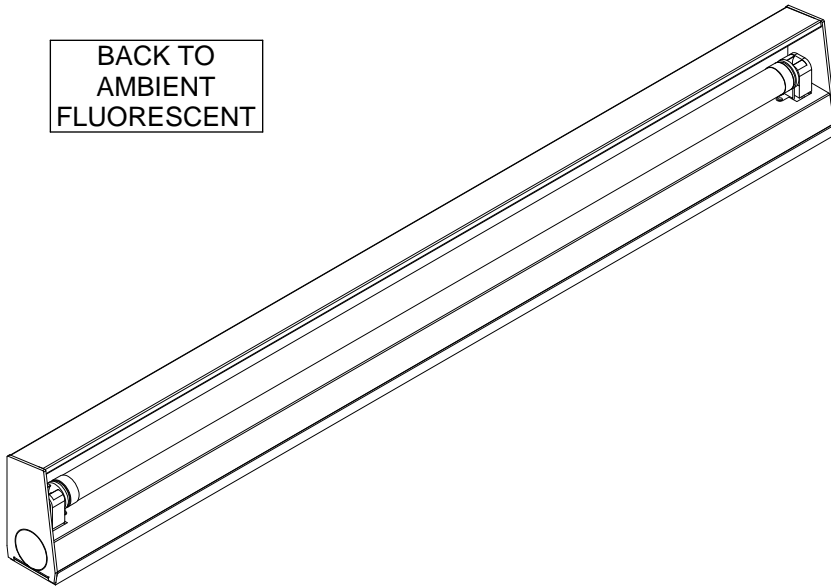
"RELOCATABLE" TYPE SPRING STEEL MOUNTING CLIPS SUPPLIED WITH ALL "PORTABLE LUMINAIRES" (CORD ENDED UNITS).



LUMINAIRES ORDERED WITH A SWITCH AND CORD ARE EQUIPPED WITH A MINIATURE ROCKER SWITCH AND A 3 WIRE CORD WITH GROUNDING PLUG.

Type: _____

BACK TO
AMBIENT
FLUORESCENT



SPECIFICATIONS

- Satin anodized aluminum finish is standard. Custom finishes available upon request.
- All models equipped with integral 120 volt electronic ballasts, 277 also available.
- Small cross section allows placement in shallow, space restricted locations.
- Luminaires can be wall or surface mounted or suspended with aircraft cables.
- Robust housing includes extruded 6063T-5 aluminum base & cover with .060 nominal wall thickness, and integral reflector.
- The inside of the reflector has a highly reflective surface.
- All models shipped with spring mounting clips for easy luminaire mounting.
- Available for use with a wide variety of lamp types, see lamp chart for selection.
- Available in hardwired configurations or with cord and switch.
- All hardwired models equipped with #18 GA thru wires and coupler for continuous row installations.
- All hardwired models include threaded end caps, and KO's in the base to allow feeding from ends or back.
- Tube guards for T5, or lamp shields for T8, available upon request.
- All units are UL & CUL LISTED damp locations.
- The factory will be happy to discuss all of your special requests.

How to build a part number	Product Series	Quantity of lamps	Lamp code	Wiring Options
Part number format	29	2	17T8	1
Choices	29	1 OR 2 Lamps are standard.	See lamp chart for lamp selection & length	1= hardwired w/ through wires 2= w/ cord & switch



**29 Series Luminaire
Lamp/Length Chart**

Lamp Type	Lamp Code (For P/N)	Luminaire Length (includes end caps)	
		1 Lamp	2 Lamp

T8

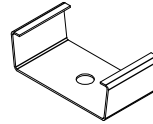
F14T8	14T8	15 3/4"	30 3/4"
F15T8	15T8	18 3/4"	36 3/4"
F17T8	17T8	24 3/4"	48 3/4"
F25T8	25T8	36 3/4"	72 3/4"
F32T8	32T8	48 3/4"	96 3/4"

T5

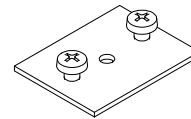
F6T5	6T5	9 3/4"	18 7/8"
F8T5	8T5	12 3/4"	24 7/8"
F13T5	13T5	21 3/4"	42 7/8"
F14T5	14T5	23"	45 7/16"
F21T5	21T5	34 13/16"	69"
F28T5	28T5	46 5/8"	92 5/8"
F35T5	35T5	58 1/2"	116 7/16"

T5 HO

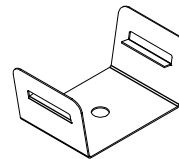
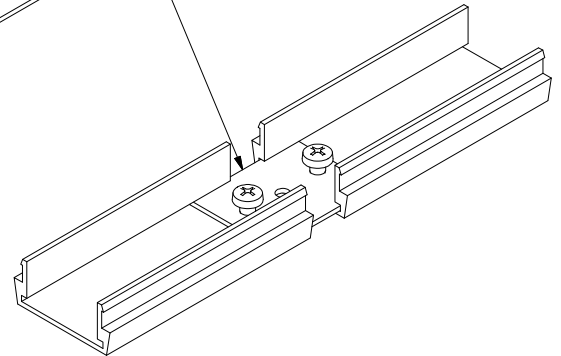
F24T5	24T5	23"	45 7/16"
F39T5	39T5	34 13/16"	69"
F54T5	54T5	46 5/8"	92 5/8"



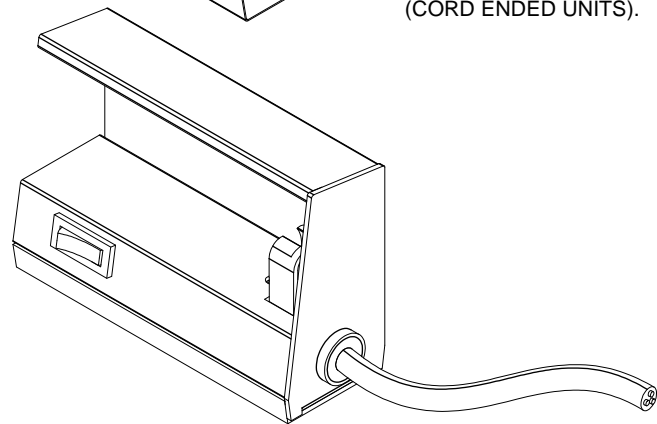
"PERMANENT" TYPE SPRING STEEL MOUNTING CLIPS SUPPLIED WITH ALL "HARD WIRED" UNITS.



FOR END TO END MOUNTING OF LUMINAIRES, A COUPLER IS SUPPLIED WITH ALL "HARD WIRED" UNITS.



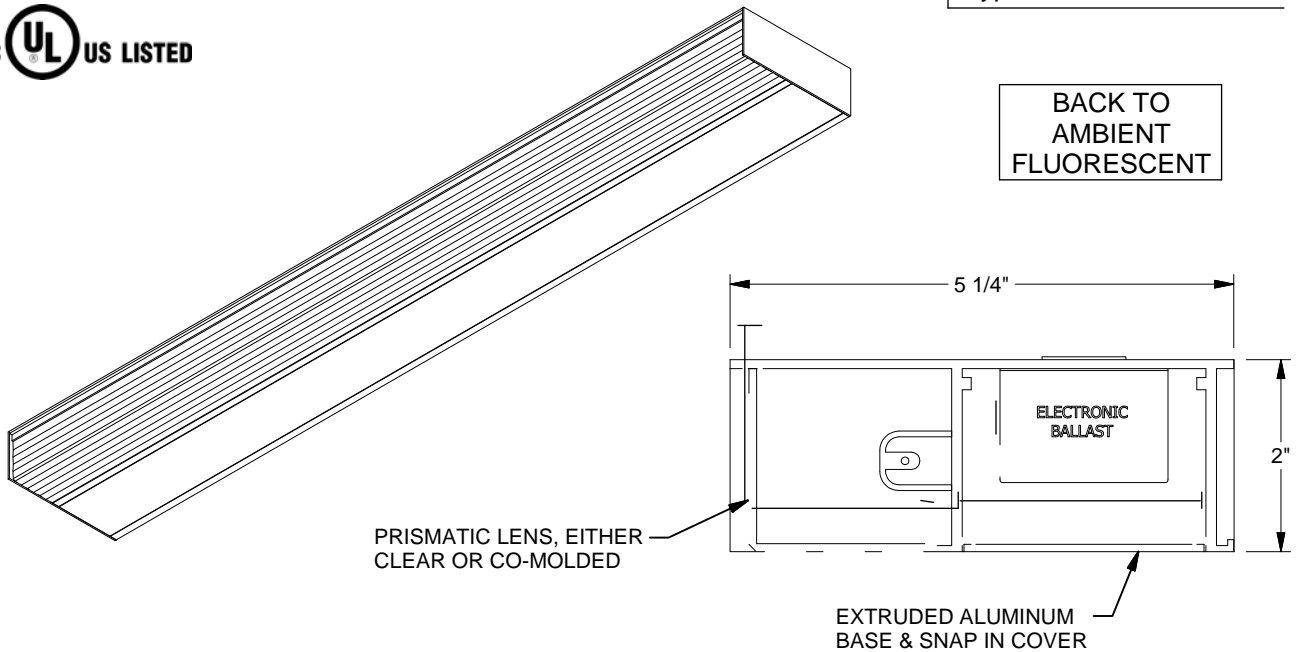
"RELOCATABLE" TYPE SPRING STEEL MOUNTING CLIPS SUPPLIED WITH ALL "PORTABLE LUMINAIRES" (CORD ENDED UNITS).



LUMINAIRES ORDERED WITH A SWITCH AND CORD ARE EQUIPPED WITH A MINIATURE ROCKER SWITCH AND A 3 WIRE CORD WITH GROUNDING PLUG.



Type: _____



SPECIFICATIONS

- Satin anodized aluminum finish is standard. Custom finishes available upon request.
 - High impact prismatic, die formed, Polycarbonate lenses are standard.
 - Low 2" profile allows placement in shallow locations.
 - Luminaires can be wall or surface mounted.
 - Robust housing includes extruded 6063T-5 aluminum base & cover with .060 nominal wall thickness.
 - Fixtures may be mounted individually or in continuous rows. Feed end caps are available, order separately.
 - Fixtures are shipped with blank end caps, for continuous row mounting, simply remove end caps where luminaires meet, and use the internal coupler (provided) to make a seamless link.
 - Available for use with a variety of T5 lamp types. See chart for selection and lengths.
 - All hardwired models include KO's in the base to allow feeding from the back.
 - All units are UL & CUL LISTED damp locations.
 - The factory will be happy to discuss all of your special requests.
- * If ordered with lamps, 4100°K color temperature is standard, other lamp colors may be available.

How to build a part number	Product Series	Quantity of T5 lamps	Lamp watts	Ballast voltage	Standard options Suffix part # as required in the sequence below
----------------------------	----------------	----------------------	------------	-----------------	---

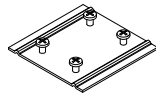
Part number format	35	1	14T5	9	
--------------------	-----------	----------	-------------	----------	--

Choices	35	See lamp chart for luminaire lengths. 1 or 2 lamps std.	14T5 21T5 28T5 35T5	0 = 120 7 = 277 9 = 120/277*	-WC (6') White 3-wire cord & plug (18ga. SVT) -GC (6') Gray 3-wire cord & plug (18ga. SVT) -F Factory wired fuse (3A) -GCO Factory wired Grounded Convenience Outlet -SW Factory wired rocker switch
---------	----	---	------------------------------	------------------------------------	--

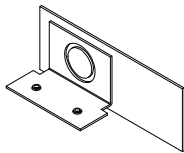
* Not available for all lamps

Type: _____

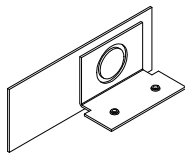
Accessories and Replacement Parts



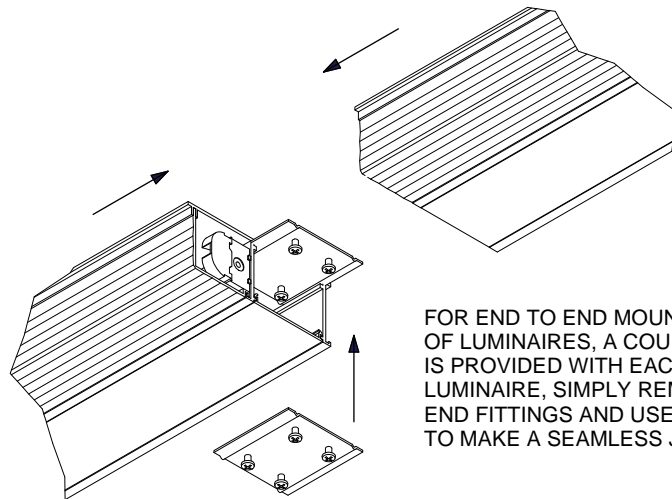
33043 Internal Coupler



35010R Right Feed End

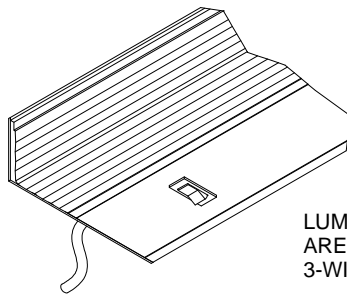


35010L Left Feed End

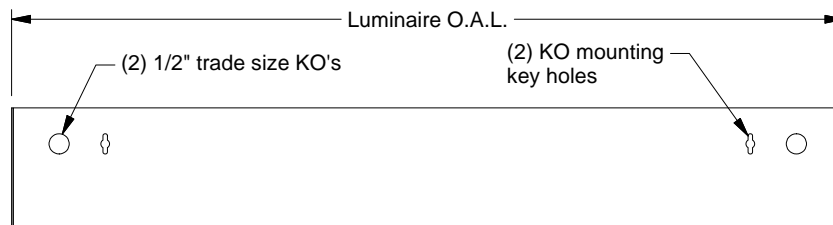


FOR END TO END MOUNTING OF LUMINAIRES, A COUPLER IS PROVIDED WITH EACH LUMINAIRE, SIMPLY REMOVE END FITTINGS AND USE COUPLER TO MAKE A SEAMLESS JOINT.

Lamp type	Luminaire O.A.L. (includes end caps)	
	1 LAMP	2 LAMPS
F14T5	22 5/8"	45"
F21T5	34 7/16"	68 5/8"
F28T5	46 1/4"	92 1/4"
F35T5	58 1/8"	116"

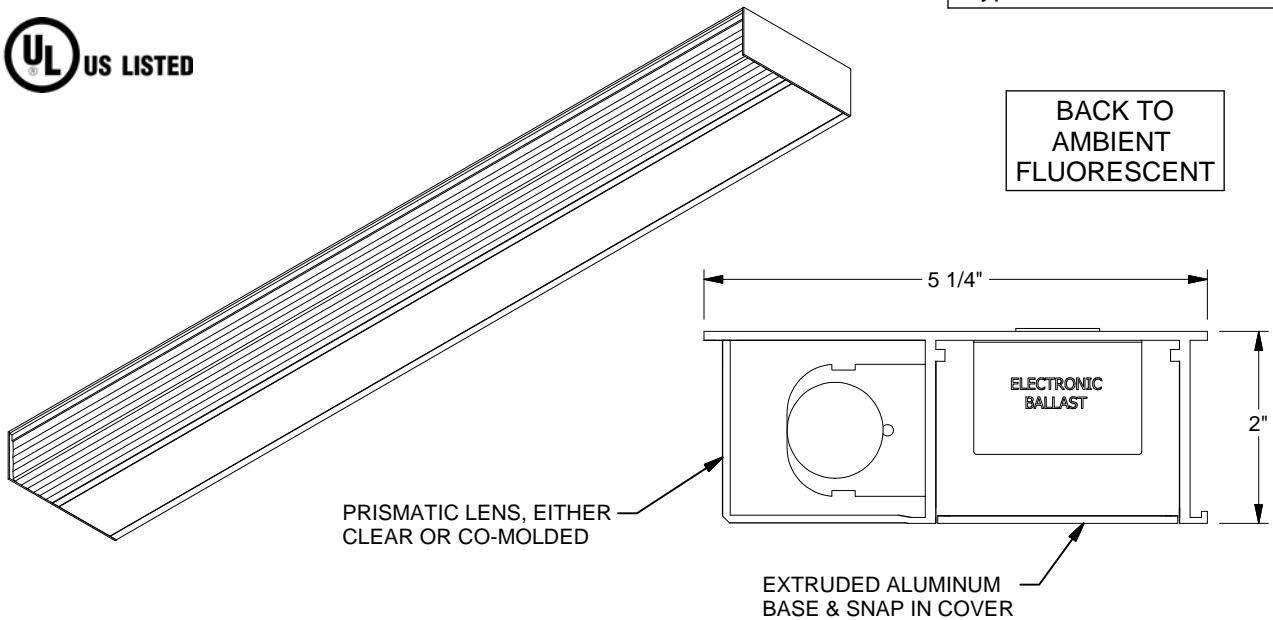


LUMINAIRES ORDERED WITH A SWITCH AND CORD ARE EQUIPPED WITH A ROCKER SWITCH AND A 3-WIRE CORD WITH A GROUNDING PLUG



TOP VIEW OF LUMINAIRE

Type: _____



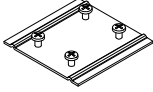
SPECIFICATIONS

- Satin anodized aluminum finish is standard. Custom finishes available upon request.
 - High impact prismatic, die formed, Polycarbonate lenses are standard.
 - Low 2" profile allows placement in shallow locations.
 - Luminaires can be wall or surface mounted.
 - Robust housing includes extruded 6063T-5 aluminum base & cover with .060 nominal wall thickness.
 - Fixtures may be mounted individually or in continuous rows. Feed end caps are available, order separately.
 - Fixtures are shipped with blank end caps, for continuous row mounting, simply remove end caps where luminaires meet, and use the internal coupler (provided) to make a seamless link.
 - Available for use with a variety of T8 lamp types. See chart for selection and lengths.
 - All hardwired models include KO's in the base to allow feeding from the back.
 - All units are UL & CUL LISTED damp locations.
 - The factory will be happy to discuss all of your special requests.
- * If ordered with lamps, 4100°K color temperature is standard, other lamp colors may be available.

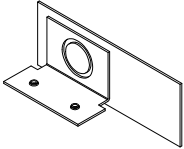
How to build a part number	Product Series	Quantity of T8 lamps	Lamp watts	Ballast voltage	Standard options Suffix part # as required in the sequence below
Part number format	35	1	17	0	
Choices	35	See lamp chart for luminaire lengths. 1 or 2 lamps std.	17 25 32	0 = 120 7 = 277 9 = 120/277	-WC (6') White 3-wire cord & plug (18ga. SVT) -GC (6') Gray 3-wire cord & plug (18ga. SVT) -F Factory wired fuse (3A) -GCO Factory wired Grounded Convenience Outlet -SW Factory wired rocker switch

Type: _____

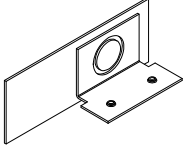
Accessories and Replacement Parts



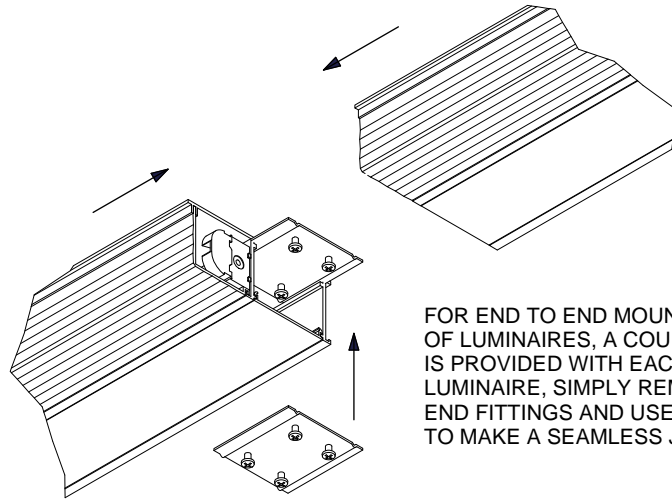
33043 Internal Coupler



35010R Right Feed End

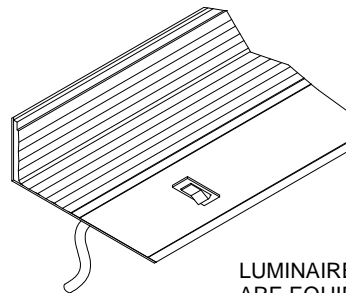


35010L Left Feed End

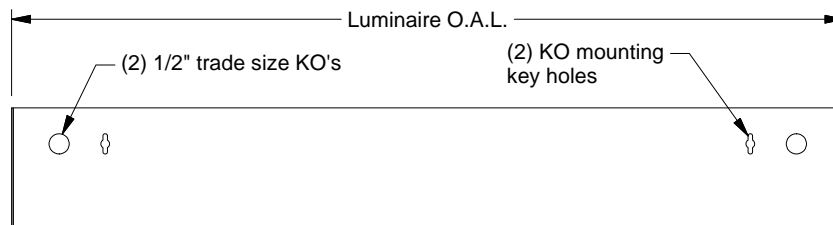


FOR END TO END MOUNTING OF LUMINAIRES, A COUPLER IS PROVIDED WITH EACH LUMINAIRE, SIMPLY REMOVE END FITTINGS AND USE COUPLER TO MAKE A SEAMLESS JOINT.

Lamp type	Luminaire O.A.L. (includes end caps)	
	1 LAMP	2 LAMPS
F17T8	24 1/8"	48 1/8"
F25T8	36 1/8"	72 1/8"
F32T8	48 1/8"	96 1/8"



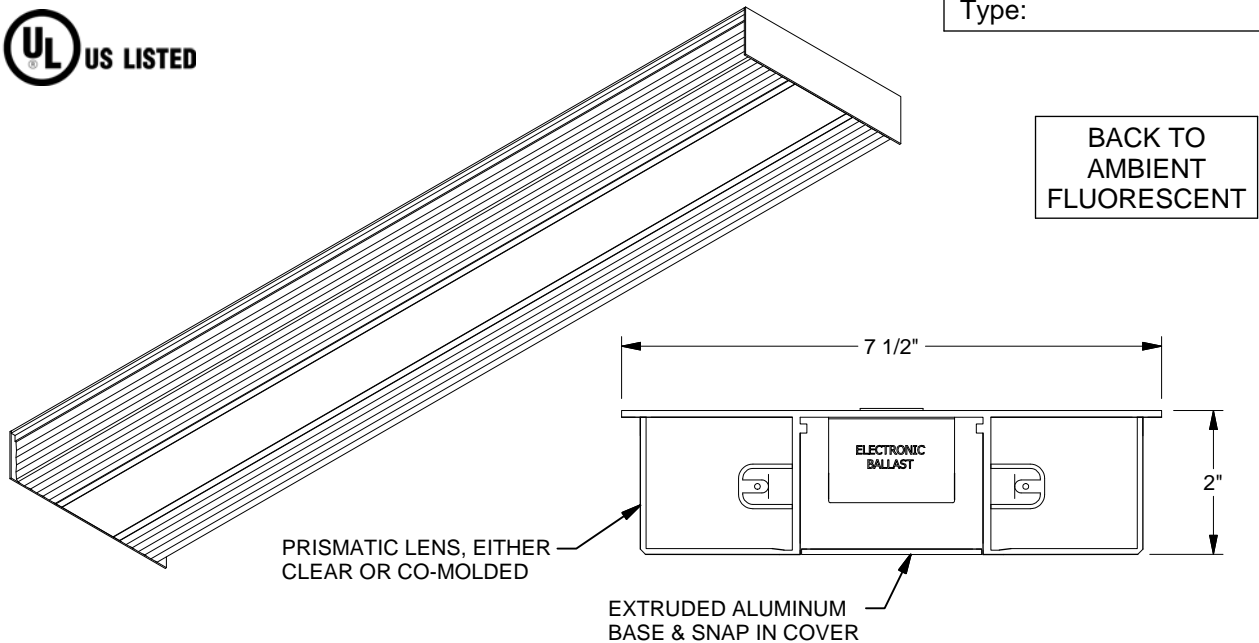
LUMINAIRES ORDERED WITH A SWITCH AND CORD ARE EQUIPPED WITH A ROCKER SWITCH AND A 3 WIRE CORD WITH A GROUNDING PLUG



BOTTOM VIEW OF LUMINAIRE



Type: _____



SPECIFICATIONS

- Satin anodized aluminum finish is standard. Custom finishes available upon request.
 - High impact prismatic, die formed, Polycarbonate lenses are standard.
 - Low 2" profile allows placement in shallow locations.
 - Luminaires can be wall or surface mounted.
 - Robust housing includes extruded 6063T-5 aluminum base & cover with .060 nominal wall thickness.
 - Fixtures may be mounted individually or in continuous rows. Feed end caps are available, order separately.
 - Fixtures are shipped with blank end caps, for continuous row mounting, simply remove end caps where luminaires meet, and use the internal coupler (provided) to make a seamless link.
 - Available for use with a variety of T5 lamp types. See chart for selection and lengths.
 - All hardwired models include KO's in the base to allow feeding from the back.
 - All units are UL & CUL LISTED damp locations.
 - The factory will be happy to discuss all of your special requests.
- * If ordered with lamps, 4100°K color temperature is standard, other lamp colors may be available.

How to build a part number	Product Series	Quantity of T8 lamps	Lamp watts	Ballast voltage	Standard options Suffix part # as required in the sequence below
----------------------------	----------------	----------------------	------------	-----------------	---

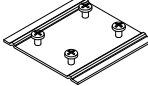
Part number format	37	2	14T5	9	
--------------------	-----------	----------	-------------	----------	--

Choices	37	See lamp chart for luminaire lengths. 2 or 4 lamps std.	14T5 21T5 28T5 35T5	0 = 120 7 = 277 9 = 120/277*	-WC (6') White 3-wire cord & plug (18ga. SVT) -GC (6') Gray 3-wire cord & plug (18ga. SVT) -F Factory wired fuse (3A) -GCO Factory wired Grounded Convenience Outlet -SW Factory wired rocker switch
---------	----	---	------------------------------	------------------------------------	--

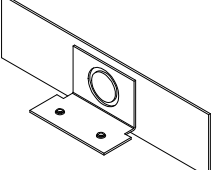
* Not available for all lamps

Type: _____

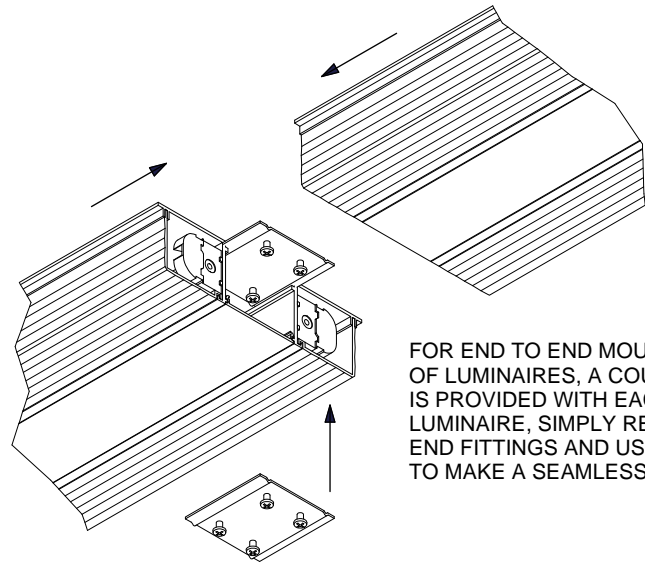
Accessories and Replacement Parts



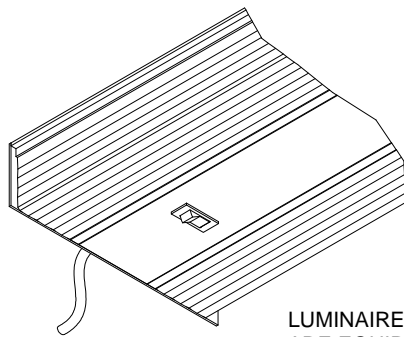
33043 Internal Coupler



37010 Feed End Cap

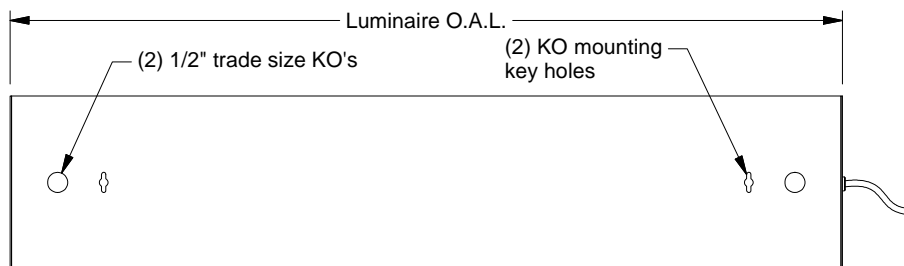


FOR END TO END MOUNTING OF LUMINAIRES, A COUPLER IS PROVIDED WITH EACH LUMINAIRE, SIMPLY REMOVE END FITTINGS AND USE COUPLER TO MAKE A SEAMLESS JOINT.



LUMINAIRES ORDERED WITH A SWITCH AND CORD ARE EQUIPPED WITH A ROCKER SWITCH AND A 3 WIRE CORD WITH A GROUNDING PLUG

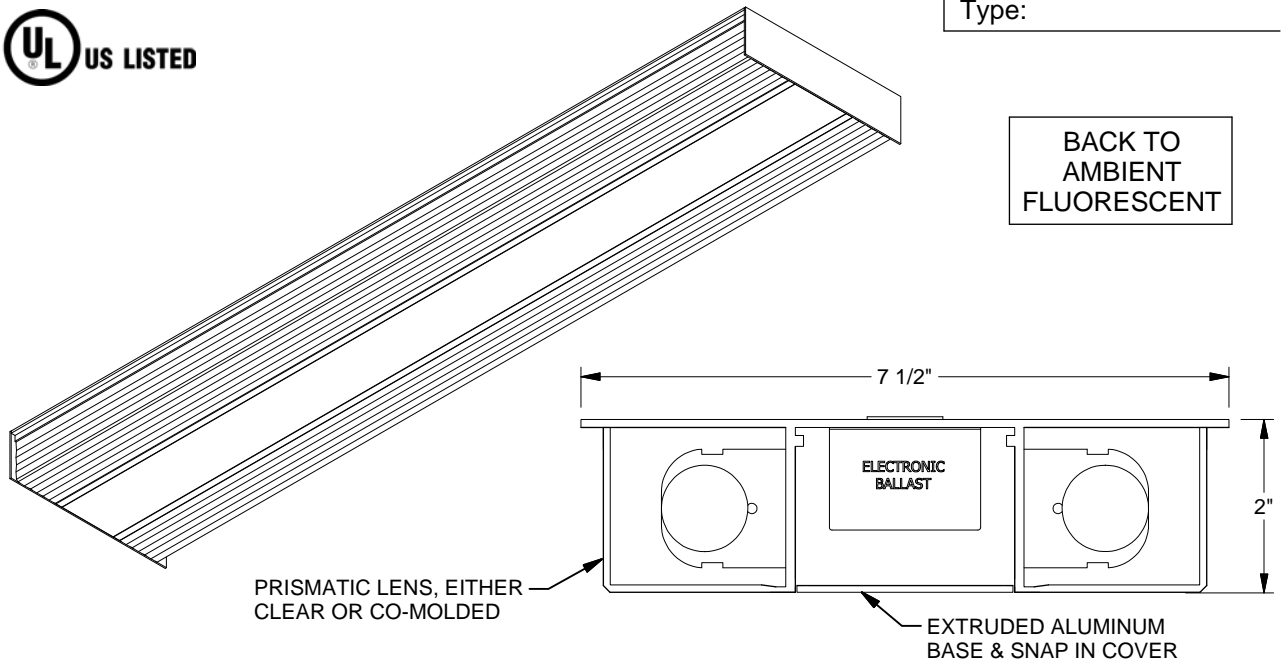
Lamp type	Luminaire O.A.L. (includes end caps)	
	2 LAMP	4 LAMPS
F14T5	22 5/8"	45"
F21T5	34 7/16"	68 5/8"
F28T5	46 1/4"	92 1/4"
F35T5	58 1/8"	116"



TOP VIEW OF LUMINAIRE



Type: _____



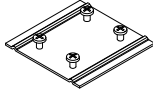
SPECIFICATIONS

- Satin anodized aluminum finish is standard. Custom finishes available upon request.
 - High impact prismatic, die formed, Polycarbonate lenses are standard.
 - Low 2" profile allows placement in shallow locations.
 - Luminaires can be wall or surface mounted.
 - Robust housing includes extruded 6063T-5 aluminum base & cover with .060 nominal wall thickness.
 - Fixtures may be mounted individually or in continuous rows. Feed end caps are available, order separately.
 - Fixtures are shipped with blank end caps, for continuous row mounting, simply remove end caps where luminaires meet, and use the internal coupler (provided) to make a seamless link.
 - Available for use with a variety of T8 lamp types. See chart for selection and lengths.
 - All hardwired models include KO's in the base to allow feeding from the back.
 - All units are UL & CUL LISTED damp locations.
 - The factory will be happy to discuss all of your special requests.
- * If ordered with lamps, 4100°K color temperature is standard, other lamp colors may be available.

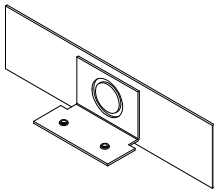
How to build a part number	Product Series	Quantity of T8 lamps	Lamp watts	Ballast voltage	Standard options Suffix part # as required in the sequence below
Part number format	37	2	17	0	
Choices	37	See lamp chart for luminaire lengths. 2 or 4 lamps std.	17 25 32	0 = 120 7 = 277 9 = 120/277	-WC (6') White 3-wire cord & plug (18ga. SVT) -GC (6') Gray 3-wire cord & plug (18ga. SVT) -F Factory wired fuse (3A) -GCO Factory wired Grounded Convenience Outlet -SW Factory wired rocker switch

Type: _____

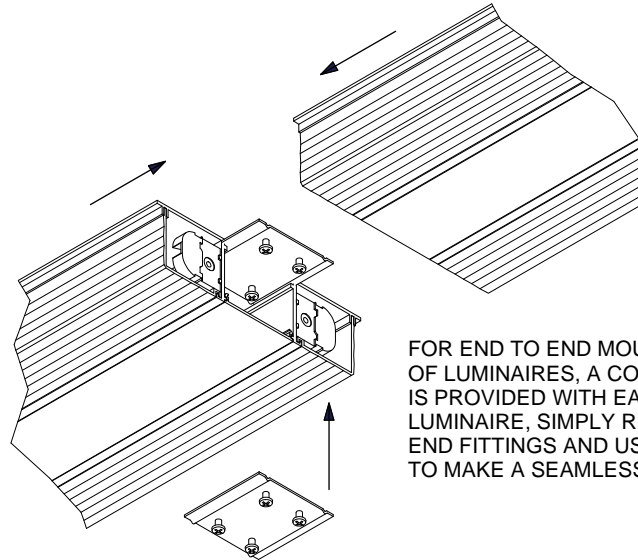
Accessories and Replacement Parts



33043 Internal Coupler

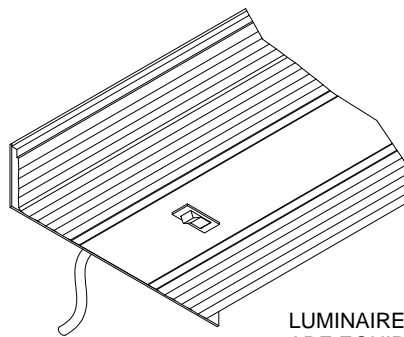


37010 Feed End Cap

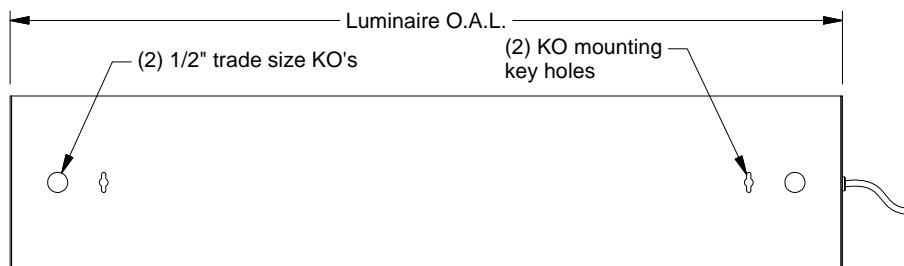


FOR END TO END MOUNTING OF LUMINAIRES, A COUPLER IS PROVIDED WITH EACH LUMINAIRE, SIMPLY REMOVE END FITTINGS AND USE COUPLER TO MAKE A SEAMLESS JOINT.

Lamp type	Luminaire O.A.L. (includes end caps)	
	2 LAMP	4 LAMPS
F17T8	24 1/8"	48 1/8"
F25T8	36 1/8"	72 1/8"
F32T8	48 1/8"	96 1/8"



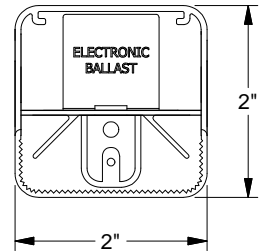
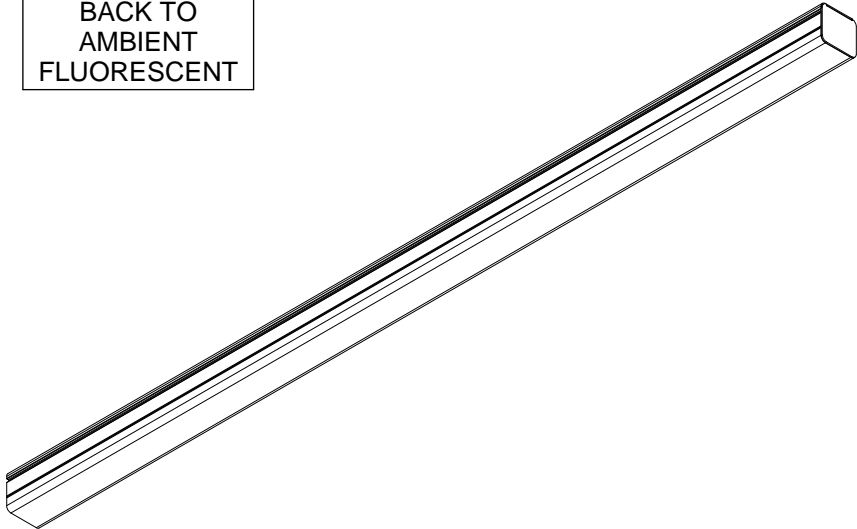
LUMINAIRES ORDERED WITH A SWITCH AND CORD ARE EQUIPPED WITH A ROCKER SWITCH AND A 3 WIRE CORD WITH A GROUNDING PLUG



TOP VIEW OF LUMINAIRE

Type: _____

BACK TO
AMBIENT
FLUORESCENT



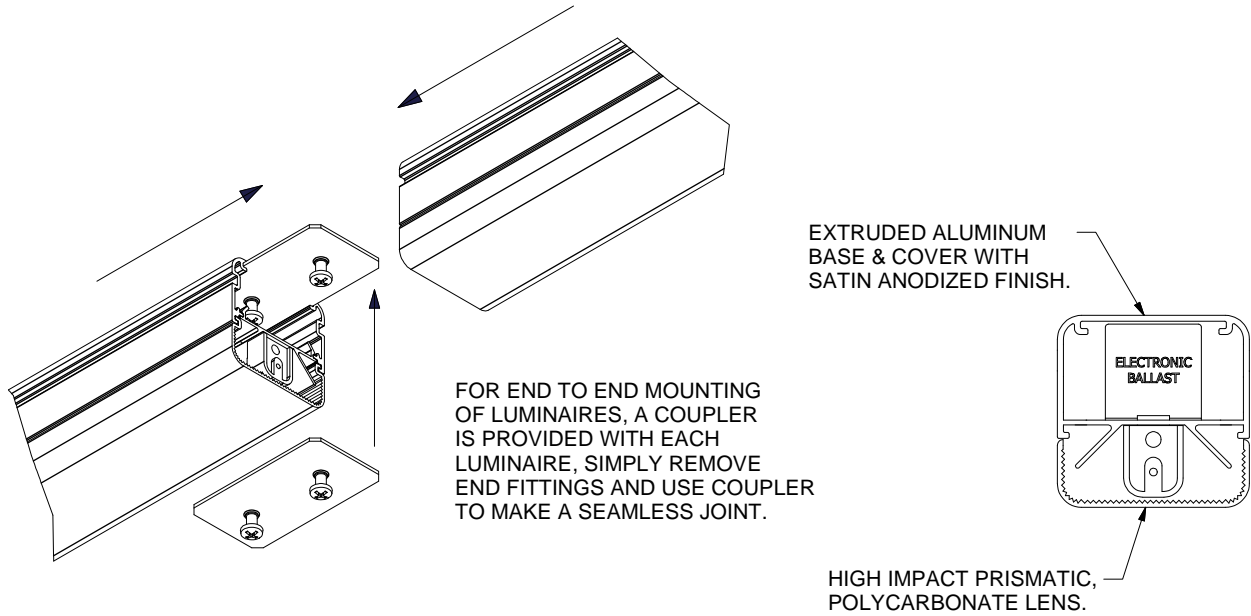
SPECIFICATIONS

- Satin anodized aluminum finish is standard. Custom finishes available upon request.
- High impact prismatic, die formed, clear Polycarbonate lenses are standard.
- Standard models equipped with integral 120 volt electronic ballasts.
- Low 2" profile allows placement in shallow locations.
- Luminaires can be wall or surface mounted or suspended with aircraft cables.
- Robust housing includes extruded 6063T-5 aluminum base & cover with .050 nominal wall thickness.
- Die formed end caps with no visible fasteners.
- Fixtures are shipped with blank end caps, for continuous row mounting, simply remove end caps where luminaires meet, and use the internal coupler (provided) to make a seamless link.
- Available for use with a wide variety of T5 lamp types. See chart for selection and lengths.
- Available in hardwired configurations or with cord, hardwired models include KO's in the base to allow feeding from the back.
- All units are UL & CUL LISTED damp locations.
- The factory will be happy to discuss all of your special requests.
- * If ordered with lamps, 4100K color temperature is standard, other lamp colors may be available.

How to build a part number	Product Series	Quantity of T5 lamps	Lamp code	Finish	Standard options Suffix part # as required in the sequence below
----------------------------	----------------	----------------------	-----------	--------	---

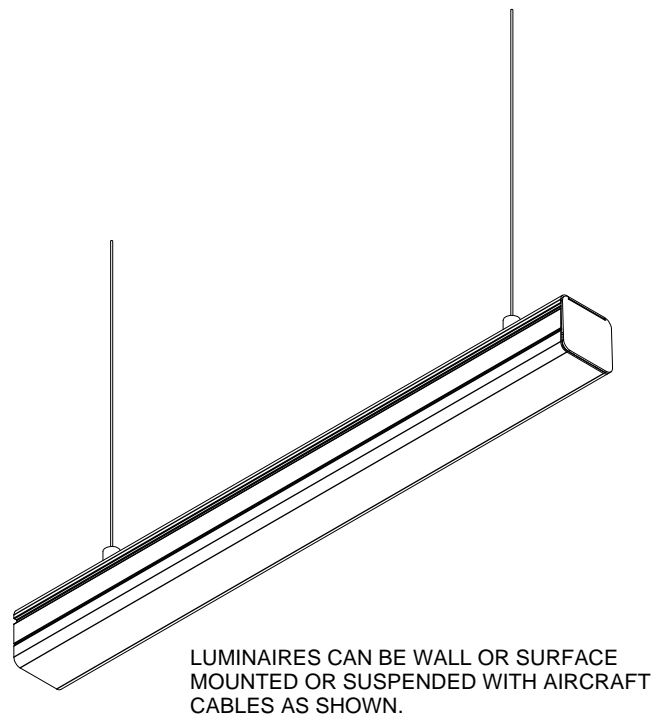
Part number format	61	1	28T5	0	
--------------------	----	---	------	---	--

Choices	61	See lamp chart for luminaire lengths. 1 or 2 lamps are standard.	6T5 8T5 13T5 14T5 21T5 21T5 28T5 35T5	0= Satin	WC (6') White 3-wire cord & plug (18ga. SVT) GC (6') Gray 3-wire cord & plug (18ga. SVT) F Factory wired fuse (3A) 277 277 Volt electronic ballast
---------	----	--	--	----------	---



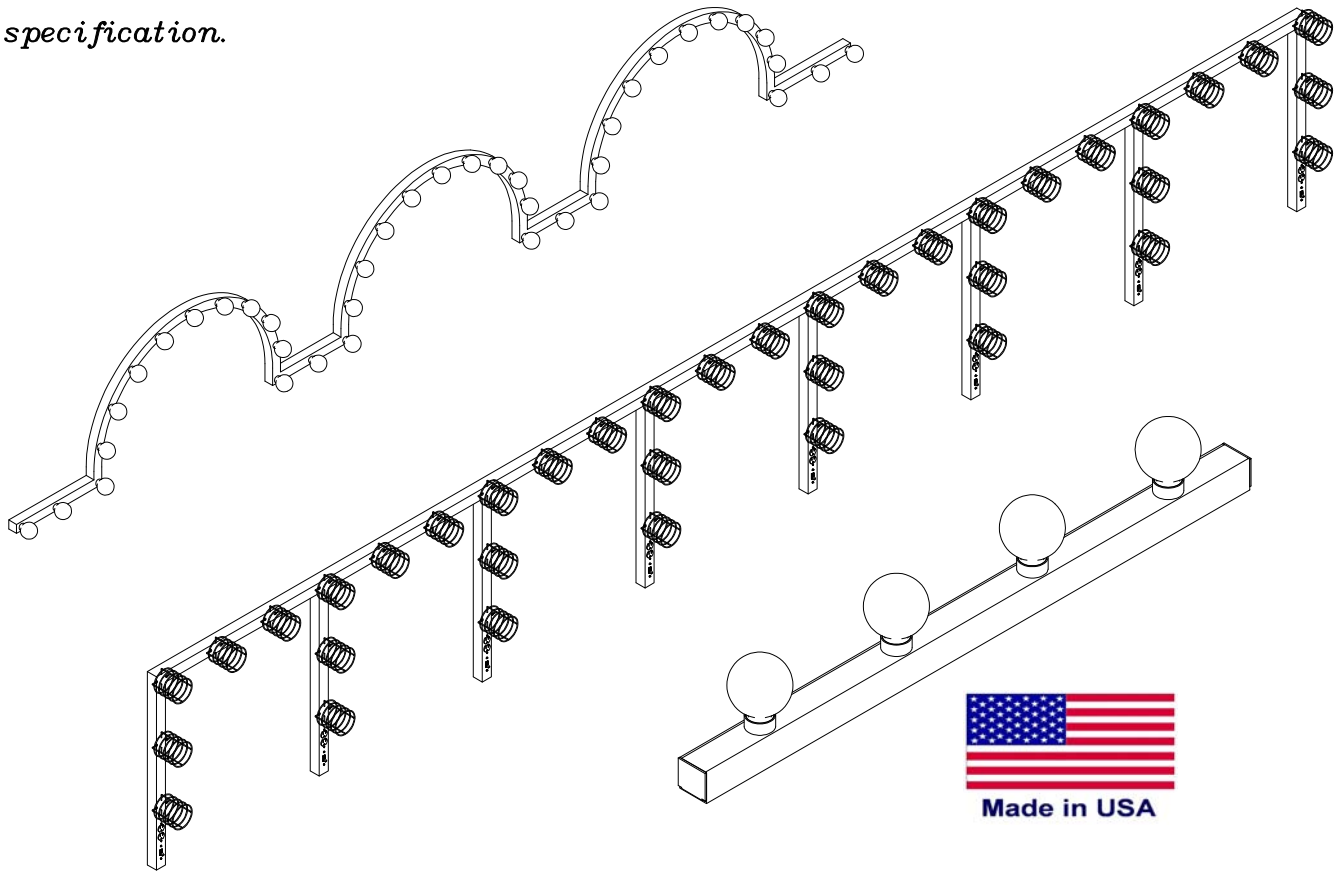
61 Series T5 Luminaire Length Chart

Lamp Quantity	Lamp Type	Luminaire Length (Includes end caps)
1	F6T5	9-1/4"
	F8T5	12-1/4"
	F13T5	21-1/4"
	F14T5	22-1/2"
	F21T5	34-5/16"
	F28T5	46-1/8"
	F35T5	58"
2	F6T5	18-3/8"
	F8T5	24-3/8"
	F13T5	42-3/8"
	F14T5	44-7/8"
	F21T5	68-1/2"
	F28T5	92-1/8"
	F35T5	115-7/8"



DECORATIVE INCANDESCENT LIGHTING SECTION 7

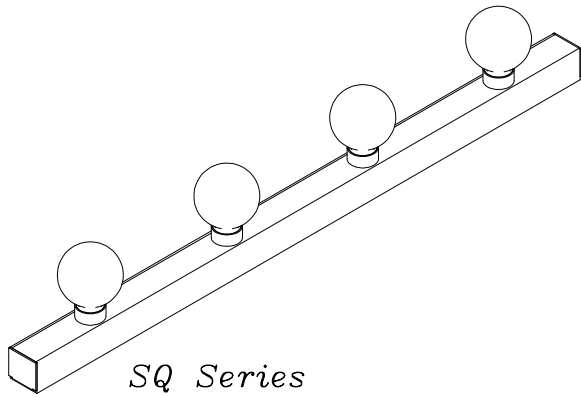
Commercial lighting is a subject we at Airey-Thompson take seriously. With an understanding of the investments involved in time, talent and material, we've always felt a responsibility to support the architectural integrity of projects large and small, and the people involved with them. From our materials to our workmanship, we offer the finest quality in our field. Focusing on durability, ease of maintenance, and installation, our fixtures are made from extruded aluminum with snap together components. Curving and custom fabrications are available to meet your specification.



These luminaires are ideal when a traditional decorative look is desired. You can choose the warmth and color of incandescent lamps, or the energy efficiency of the newer technology of screw base CFL's or LEDs. With standard lengths and custom configurations readily available, we are prepared to fulfill your design requirements.

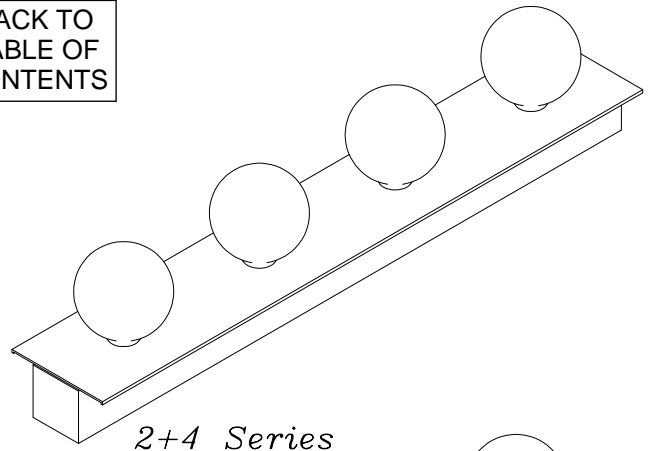


DECORATIVE INCANDESCENT LIGHTING SECTION 7

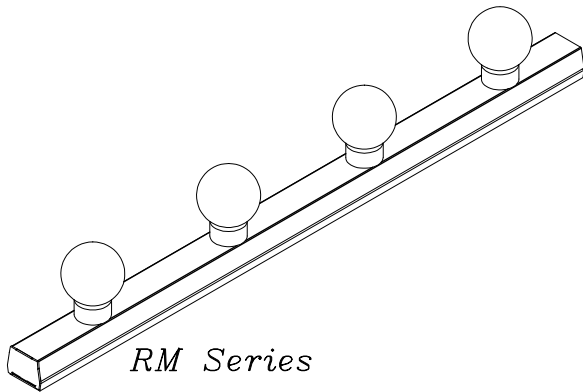


SQ Series

BACK TO
TABLE OF
CONTENTS

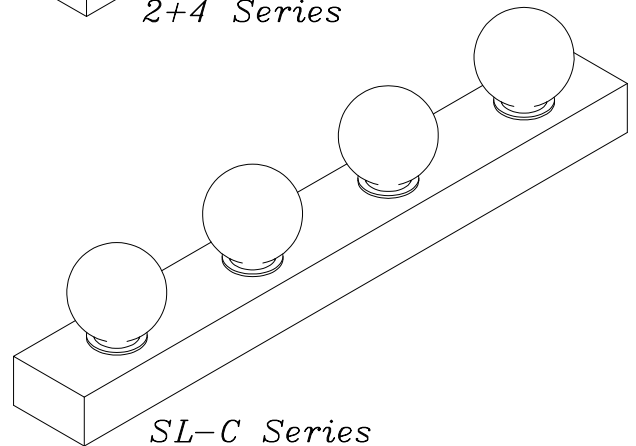


2+4 Series



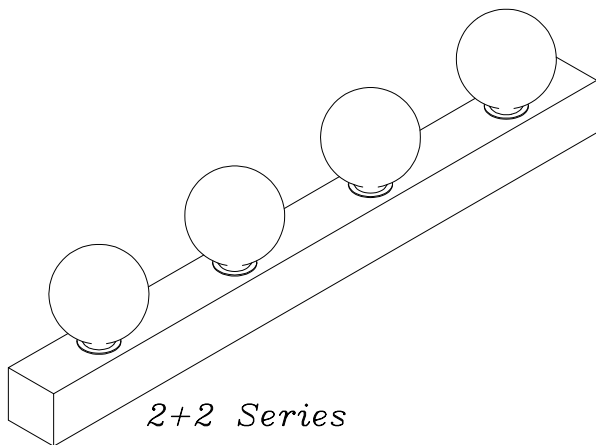
RM Series

RM MRI Series



SL-C Series

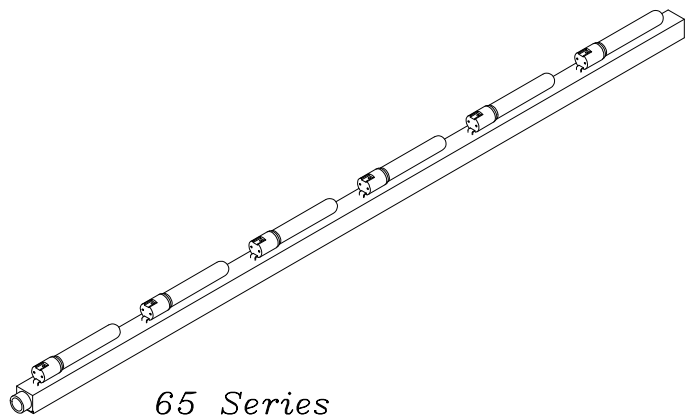
SL-C MAKE UP MIRROR Series



2+2 Series

2+2 MRI Series

2+2 MAKE UP MIRROR Series



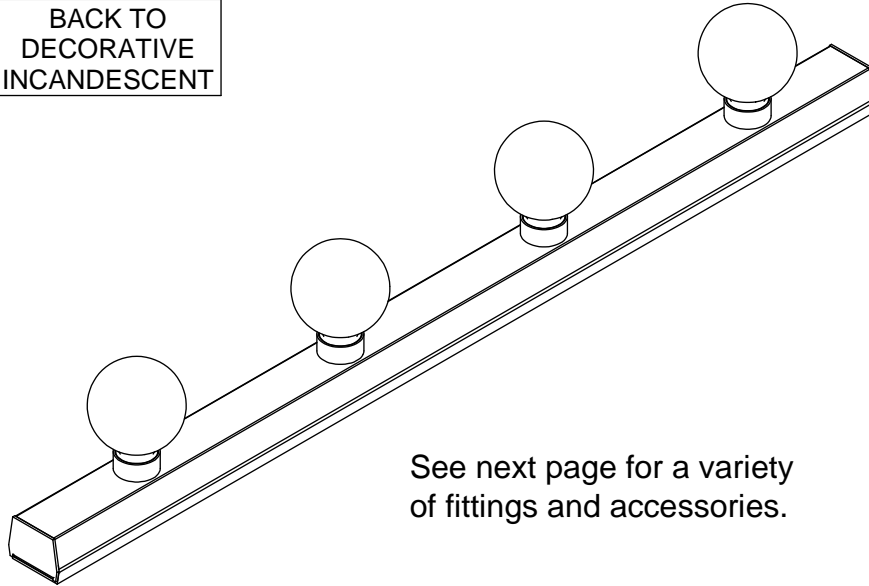
65 Series

65 MRI Series

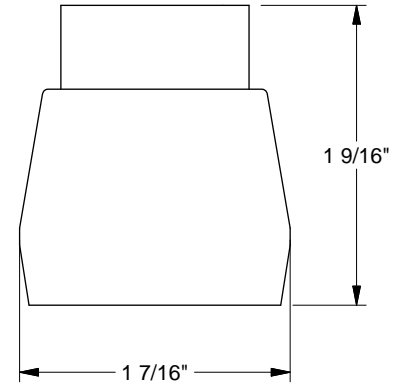
65 MRI FLEX Series

Type: _____

BACK TO
DECORATIVE
INCANDESCENT



See next page for a variety
of fittings and accessories.

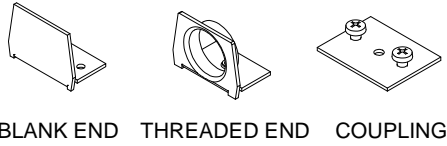


DESCRIPTION	SATIN ALUM.	POLISHED ALUM.	POLISHED GOLD
2' fixture, 4 lampholders, 6" o.c.	118020	118021	118022
3' fixture, 6 lampholders, 6" o.c.	118030	118031	118032
4' fixture, 8 lampholders, 6" o.c.	118040	118041	118042
5' fixture, 10 lampholders, 6" o.c.	118050	118051	118052
10' fixture, 20 lampholders, 6" o.c.	118100	118101	118102

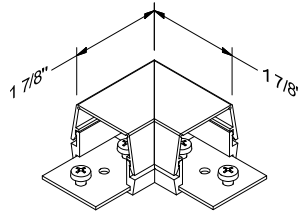
SPECIFICATIONS

- Extruded aluminum with satin, polished aluminum or polished gold finish standard, custom finishes available upon special request.
- Supplied with phenolic candelabra base lamp holders, lamps by others.
- Fixtures are shipped with blank end caps, for continuous row mounting, simply remove end caps where luminaires meet, and use the internal coupler (provided) to make a seamless link.
- Easy installation and wiring through snap off wiring compartment.
- Incandescent lamps are easily dimmed with standard dimming controls.
- Lamps mounted on 6 in. centers is standard.
- 40 watt max lamps for ceiling mount, 60 watt max for wall mounting or lamp base down mounting.
- Ideal for use with screw base energy efficient alternate to incandescent lamps.
- All units are UL & CUL LISTED damp locations. Optionally available for wet locations.
- Consult factory for special lengths, miters, lamp spacing, curving & layouts,
- On custom length continuous row luminaires lamp centers are adjusted to fit evenly over the length of the fixture.
- Lamp guards are available. See lamp guard sheets for information.

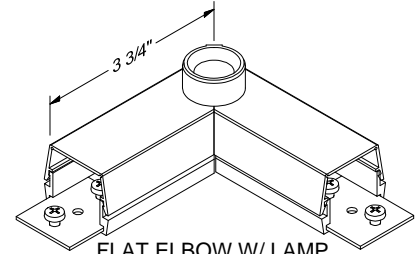
Type: _____



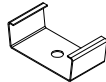
BLANK END THREADED END COUPLING



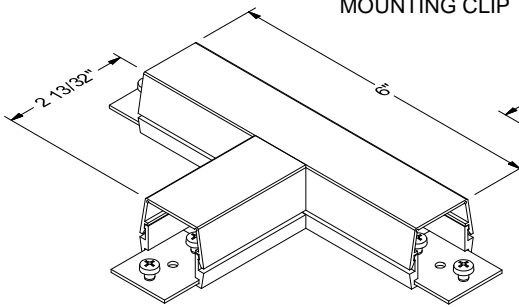
FLAT ELBOW



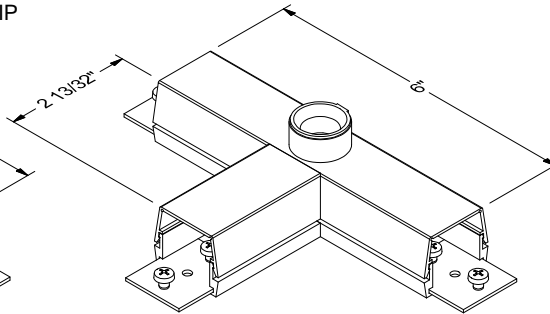
FLAT ELBOW W/ LAMP



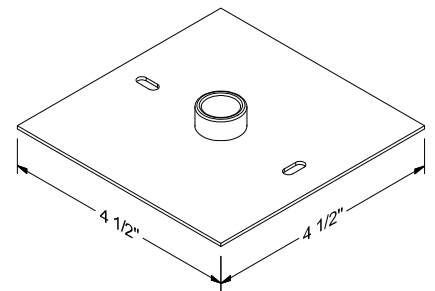
MOUNTING CLIP



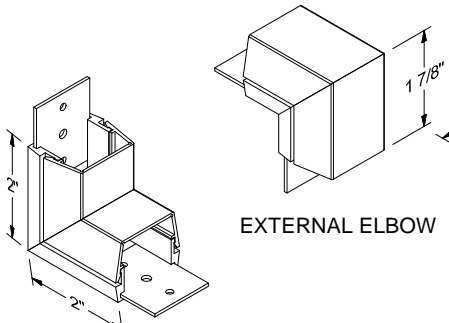
FLAT TEE



FLAT TEE W/ LAMP

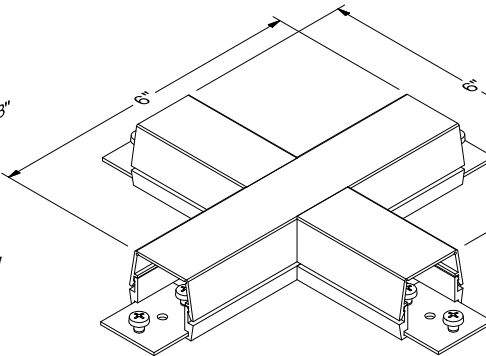


OUTLET BOX ADAPTER

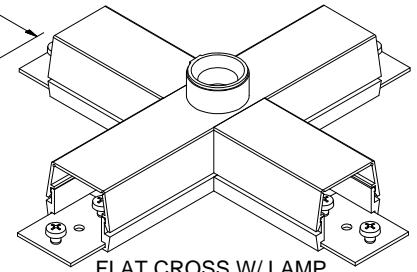


INTERNAL ELBOW

EXTERNAL ELBOW



FLAT CROSS



FLAT CROSS W/ LAMP

DESCRIPTION

COUPLING
BLANK END
END FITTING, 1/2" THREADED END
MOUNTING CLIP
BOX ADAPTER
FLAT ELBOW
FLAT ELBOW W/ LAMP HOLDER
INTERNAL ELBOW
EXTERNAL ELBOW
TEE
TEE W/ LAMPHOLDER
CROSS
CROSS W/ LAMPHOLDER
LAMPGUARD

**SATIN
ALUMINUM**

118430
118470
118480
118491
118700
118890
118900
118910
118920
118930
118940
118950
118960
118001

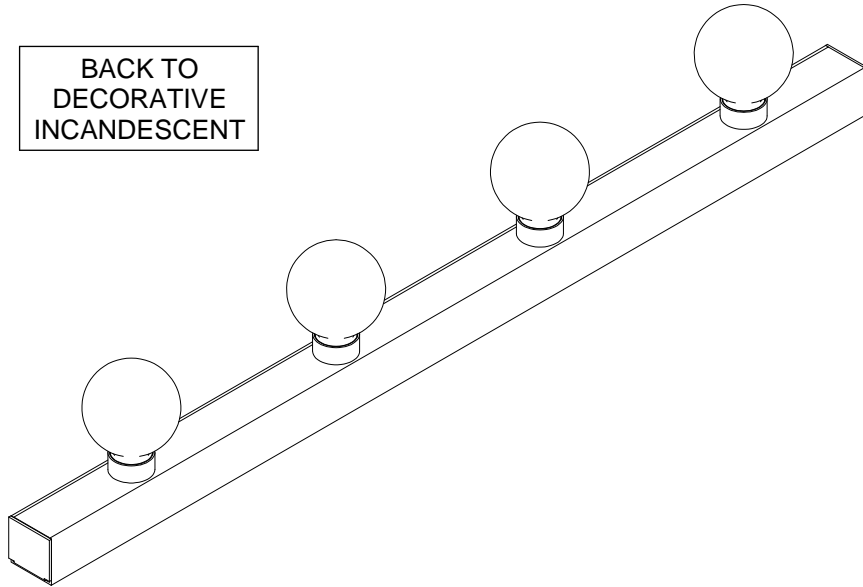
**POLISHED
ALUMINUM**

118430
118471
118481
118491
118701
118891
118901
118911
118921
118931
118941
118951
118961
118001

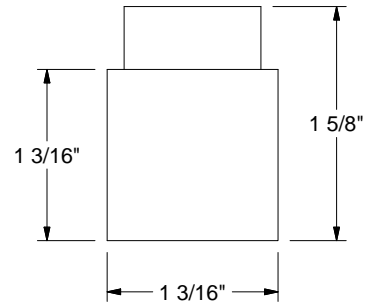
**POLISHED
GOLD**

118430
118472
118482
118492
118702
118892
118902
118912
118922
118932
118942
118952
118962
118002

BACK TO
DECORATIVE
INCANDESCENT



Type: _____



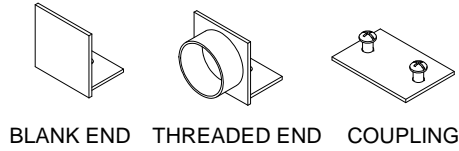
DESCRIPTION

	SATIN ALUMINUM	POLISHED ALUMINUM	POLISHED GOLD
2' FIXTURE, 4 LAMP HOLDERS, 6" O.C.	130020	130021	130022
3' FIXTURE, 6 LAMP HOLDERS, 6" O.C.	130030	130031	130032
4' FIXTURE, 8 LAMP HOLDERS, 6" O.C.	130040	130041	130042
5' FIXTURE, 10 LAMP HOLDERS, 6" O.C.	130050	130051	130052
10' FIXTURE, 20 LAMP HOLDERS, 6" O.C.	130100	130101	130102

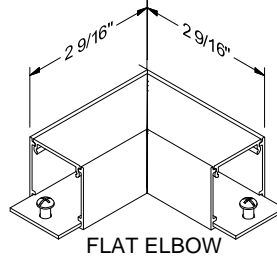
SPECIFICATIONS

- Extruded aluminum with anodized, polished aluminum or polished gold finish standard, custom finishes available upon special request.
- Supplied with phenolic candelabra base lamp holders, lamps by others.
- Fixtures are shipped with blank end caps, for continuous row mounting, simply remove end caps where luminaires meet, and use the internal coupler (provided) to make a seamless link.
- Easy installation and wiring through snap off wiring compartment.
- Incandescent lamps are easily dimmed with standard dimming controls.
- Lamps mounted on 6 in. centers is standard.
- 40 watt max lamps for ceiling mount, 60 watt max for wall mounting or lamp base down mounting.
- Ideal for use with screw base energy efficient alternate to incandescent lamps.
- All units are UL & CUL LISTED damp locations. Optionally available for wet locations.
- Consult factory for special lengths, miters, lamp spacing, curving & layouts,
- On custom length continuous row luminaires lamp centers are adjusted to fit evenly over the length of the fixture.
- Lamp guards are available. See lamp guard sheets for information.

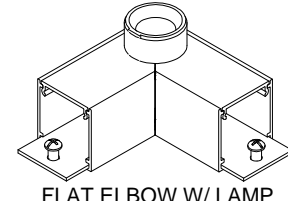
Type: _____



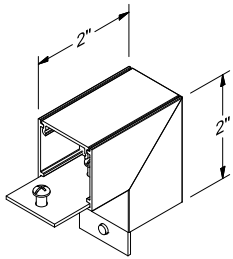
BLANK END THREADED END COUPLING



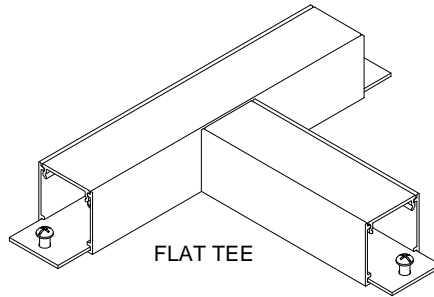
FLAT ELBOW



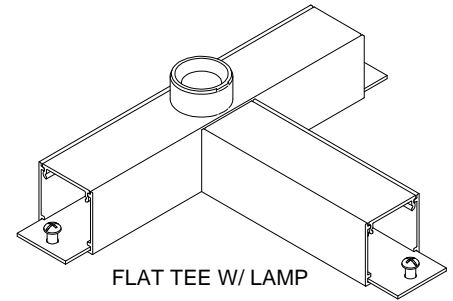
FLAT ELBOW W/ LAMP



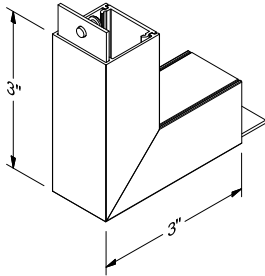
EXTERNAL ELBOW



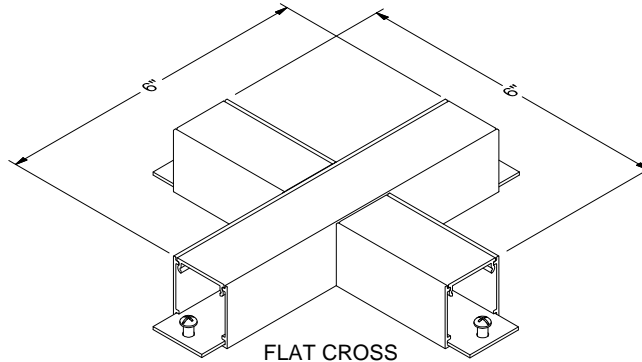
FLAT TEE



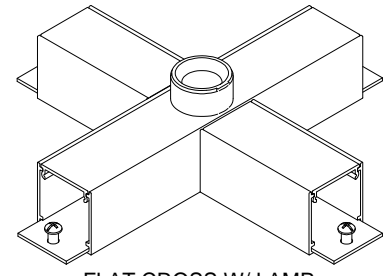
FLAT TEE W/ LAMP



INTERNAL ELBOW



FLAT CROSS



FLAT CROSS W/ LAMP

DESCRIPTION

COUPLING
BLANK END
END FITTING, 1/2" THREADED END
FLAT ELBOW
FLAT ELBOW W/ LAMP HOLDER
INTERNAL ELBOW
EXTERNAL ELBOW
TEE
TEE W/ LAMP HOLDER
CROSS
CROSS W/ LAMP HOLDER
LAMP GUARD

SATIN ALUMINUM

130430
130470
130480
130890
130900
130910
130920
130930
130940
130950
130960
118001

POLISHED ALUMINUM

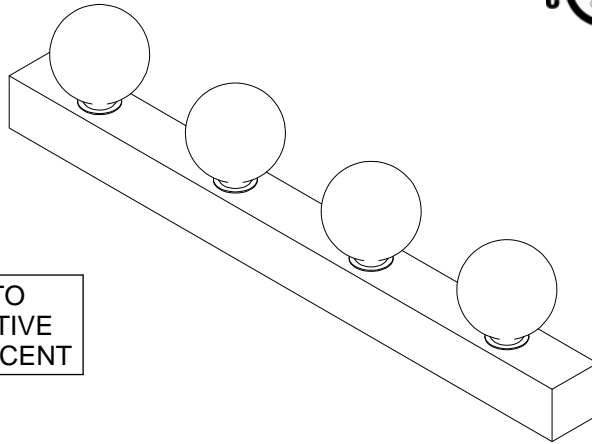
130430
130471
130481
130891
130901
130911
130921
130931
130941
130951
130961
118001

POLISHED GOLD

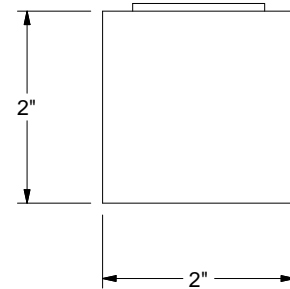
130430
130472
130482
130892
130902
130912
130922
130932
130942
130952
130962
118002



Type: _____



BACK TO
DECORATIVE
INCANDESCENT

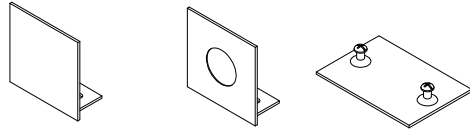


<u>DESCRIPTION</u>	<u>SATIN</u> <u>ALUMINUM</u>	<u>POLISHED</u> <u>ALUMINUM</u>	<u>POLISHED</u> <u>GOLD</u>
2' FIXTURE, 4 LAMP HOLDERS, 6" O.C.	222060	222061	222062
3' FIXTURE, 6 LAMP HOLDERS, 6" O.C.	223060	223061	223062
4' FIXTURE, 8 LAMP HOLDERS, 6" O.C.	224060	224061	224062
5' FIXTURE, 10 LAMP HOLDERS, 6" O.C.	225060	225061	225062
10' FIXTURE, 20 LAMP HOLDERS, 6" O.C.	220060	220061	220062
2' FIXTURE, 2 LAMP HOLDERS, 12" O.C.	222120	222121	222122
3' FIXTURE, 3 LAMP HOLDERS, 12" O.C.	223120	223121	223122
4' FIXTURE, 4 LAMP HOLDERS, 12" O.C.	224120	224121	224122
5' FIXTURE, 5 LAMP HOLDERS, 12" O.C.	225120	225121	225122
10' FIXTURE, 10 LAMP HOLDERS, 12" O.C.	220120	220121	220122

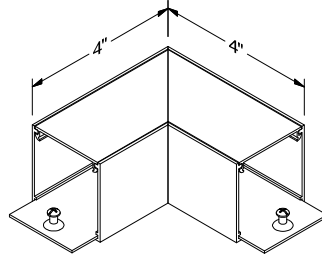
SPECIFICATIONS

- Extruded aluminum with satin, polished aluminum or polished gold finish standard, custom finishes available upon special request.
- Supplied with flush mounted porcelain medium base lamp holders, lamps by others.
- Fixtures are shipped with blank end caps, for continuous row mounting, simply remove end caps where luminaires meet, and use the internal coupler (provided) to make a seamless link.
- Easy installation and wiring through snap off wiring compartment.
- Incandescent lamps are easily dimmed with standard dimming controls.
- 60 watt max lamps for ceiling mount, 150 watt max for wall mounting or lamp base down mounting.
- Ideal for use with screw base energy efficient alternate to incandescent lamps.
- All units are UL & CUL LISTED damp locations. Optionally available for wet locations.
- Consult factory for special lengths, miters, lamp spacing, curving & layouts,
- On custom length continuous row luminaires lamp centers are adjusted to fit evenly over the length of the fixture.
- Lamp guards are available. See lamp guard sheets for information.

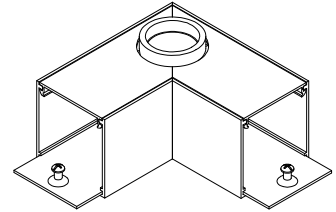
Type: _____



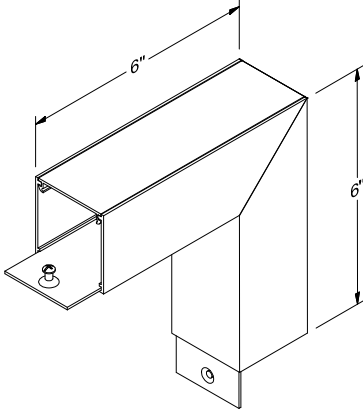
BLANK END FEED END COUPLING



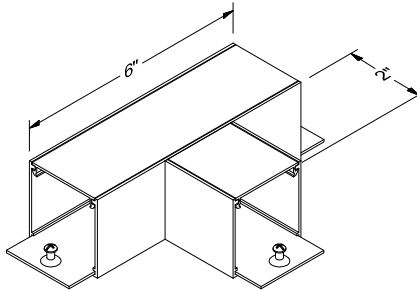
FLAT ELBOW



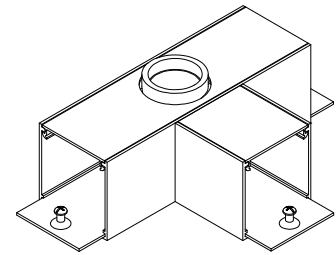
FLAT ELBOW W/ LAMP



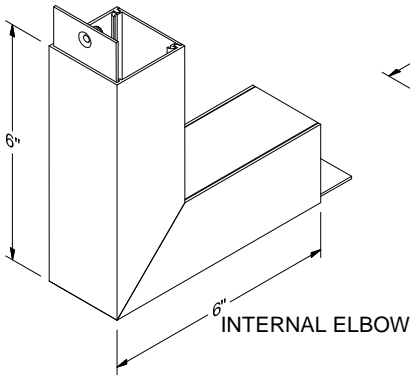
EXTERNAL ELBOW



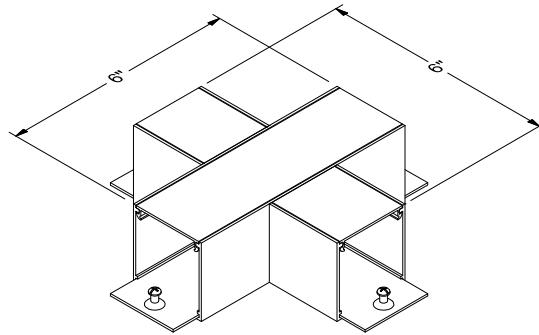
FLAT TEE



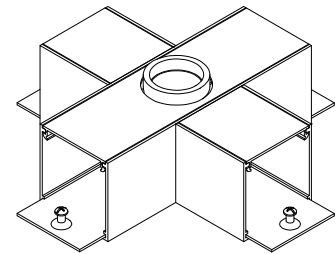
FLAT TEE W/ LAMP



INTERNAL ELBOW



FLAT CROSS



FLAT CROSS W/ LAMP

DESCRIPTION

- COUPLING
- BLANK END
- FEED END FITTING, W/ 1/2" KO
- FLAT ELBOW
- FLAT ELBOW W/ LAMP HOLDER
- INTERNAL ELBOW
- EXTERNAL ELBOW
- TEE
- TEE W/ LAMPHOLDER
- CROSS
- CROSS W/ LAMPHOLDER

**SATIN
ALUMINUM**

- 220430
- 220470
- 220480
- 220890
- 220910
- 220920
- 220930
- 220940
- 220950
- 220960

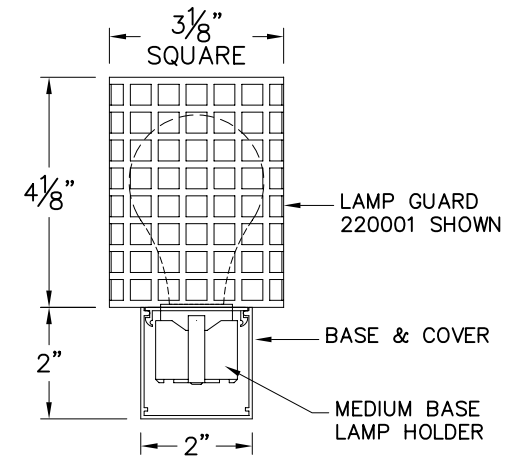
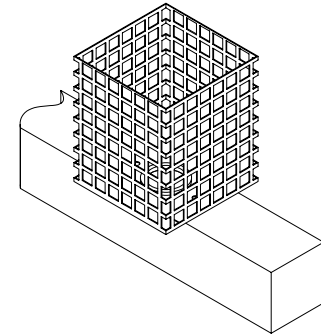
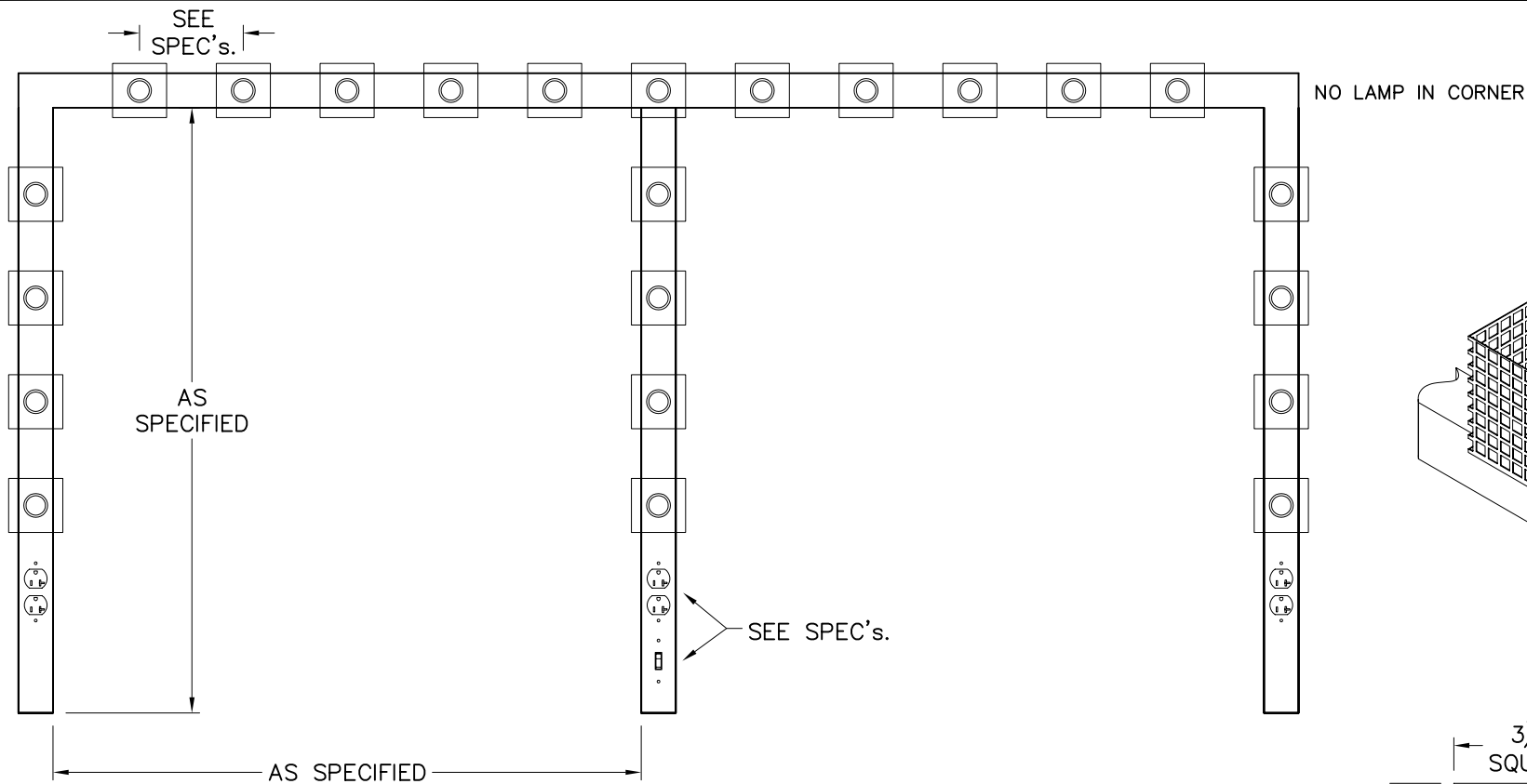
**POLISHED
ALUMINUM**

- 220430
- 220471
- 220481
- 220891
- 220911
- 220921
- 220931
- 220941
- 220951
- 220961

**POLISHED
GOLD**

- 220430
- 220472
- 220482
- 220892
- 220902
- 220912
- 220922
- 220932
- 220942
- 220952
- 220962

LAMPGUARDS AVAILABLE IN SQUARE, ROUND OR HEX SHAPES. SEE LAMPGUARD SPEC SHEET FOR MORE INFORMATION.



- Made to order for individual or multiple mirror applications depending on job requirements.**
- Factory mitered corners and tees available with or without lampholders.**
- Lamp spacing as specified. Actual lamp spacing is adjusted for even spacing after layout is determined.**
- Factory wired for easy installation. Intersecting legs have thru wiring provision.**
- Satin finish manufactured from .055 nominal extruded 6063 T5 anodized aluminum.**
- Polished aluminum and polished gold finishes manufactured from .055 nominal extruded 6463 T5 bright dipped aluminum.**
- Consult factory for custom finishes.**
- Available with porcelain medium base lampholders up to 150 watts or phenolic candelabra base lampholders up to 40 watts.**
- Available with 15 or 20 Amp single or duplex devices.**
- Available with integral rocker, toggle or dimming switches.**
- Airey-Thompson dressing room luminaries are available with open ended lamp guards that meet NEC 520-72.**
- Lamp guards are available in bright nickel or bright brass finishes and in four sizes for G16-1/2, A19, G25 or G40.**



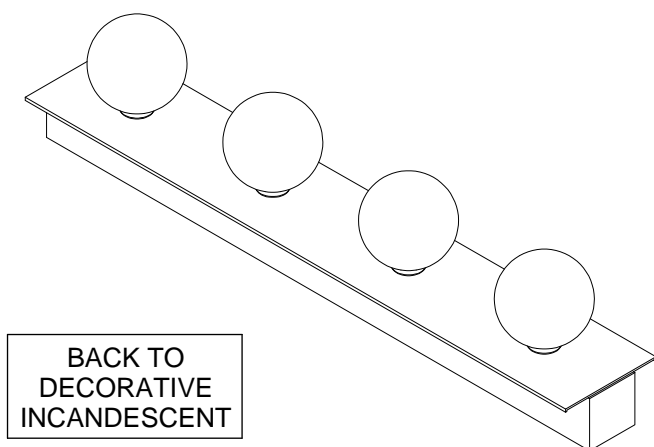
AIREY-THOMPSON

5310 Irwindale Ave.
 Irwindale CA 91706
 Tel. No's
 626-960-3355
 800-421-6196

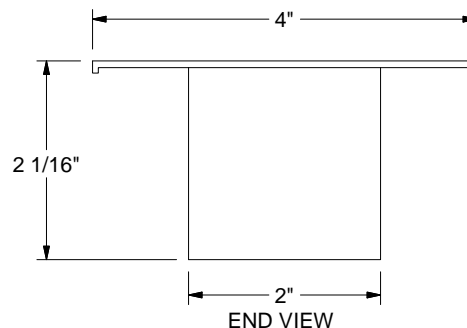
DESCRIPTION:

2+2 SERIES, MBLH, MULTIPLE MIRROR UNIT
 DRESSING ROOM FIXTURE

DRAWN BY: V.M.	DATE: 12-07-06	CAD FILE: 22Mir-sht1-06a	SCALE: NONE
MATERIAL: AS NOTED		FINISH: AS NOTED	



Type: _____



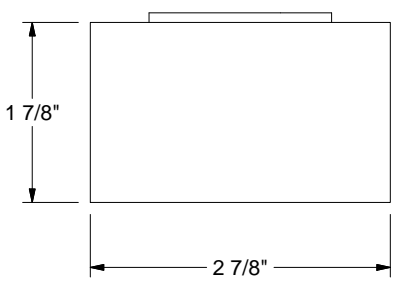
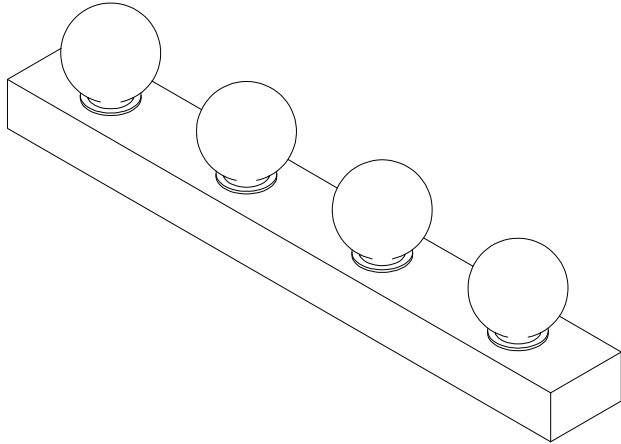
DESCRIPTION

	SATIN ALUMINUM	POLISHED ALUMINUM	POLISHED GOLD
2' FIXTURE, 4 LAMP HOLDERS, 6" O.C.	242060	242061	242062
3' FIXTURE, 6 LAMP HOLDERS, 6" O.C.	243060	243061	243062
4' FIXTURE, 8 LAMP HOLDERS, 6" O.C.	244060	244061	244062
5' FIXTURE, 10 LAMP HOLDERS, 6" O.C.	245060	245061	245062
10' FIXTURE, 20 LAMP HOLDERS, 6" O.C.	240060	240061	240062
2' FIXTURE, 2 LAMP HOLDERS, 12" O.C.	242120	242121	242122
3' FIXTURE, 3 LAMP HOLDERS, 12" O.C.	243120	243121	243122
4' FIXTURE, 4 LAMP HOLDERS, 12" O.C.	244120	244121	244122
5' FIXTURE, 5 LAMP HOLDERS, 12" O.C.	245120	245121	245122

SPECIFICATIONS

- Extruded aluminum with satin, polished aluminum or polished gold finish standard, custom finishes available upon special request.
- Supplied with flush mounted porcelain medium base lamp holders, lamps by others.
- Fixtures are shipped with blank end caps, for continuous row mounting, simply remove end caps where luminaires meet, and use the internal coupler (provided) to make a seamless link.
- Easy installation and wiring through snap off wiring compartment.
- Incandescent lamps are easily dimmed with standard dimming controls.
- 60 watt max lamps for ceiling mount, 150 watt max for wall mounting or lamp base down mounting.
- Ideal for use with screw base energy efficient alternate to incandescent lamps.
- All units are UL & CUL LISTED damp locations. Optionally available for wet locations.
- Consult factory for special lengths, miters, lamp spacing, curving & layouts,
- On custom length continuous row luminaires lamp centers are adjusted to fit evenly over the length of the fixture.
- Lamp guards are available in square, round and hex shapes. See lamp guard sheets for information.

Type: _____



BACK TO
DECORATIVE
INCANDESCENT

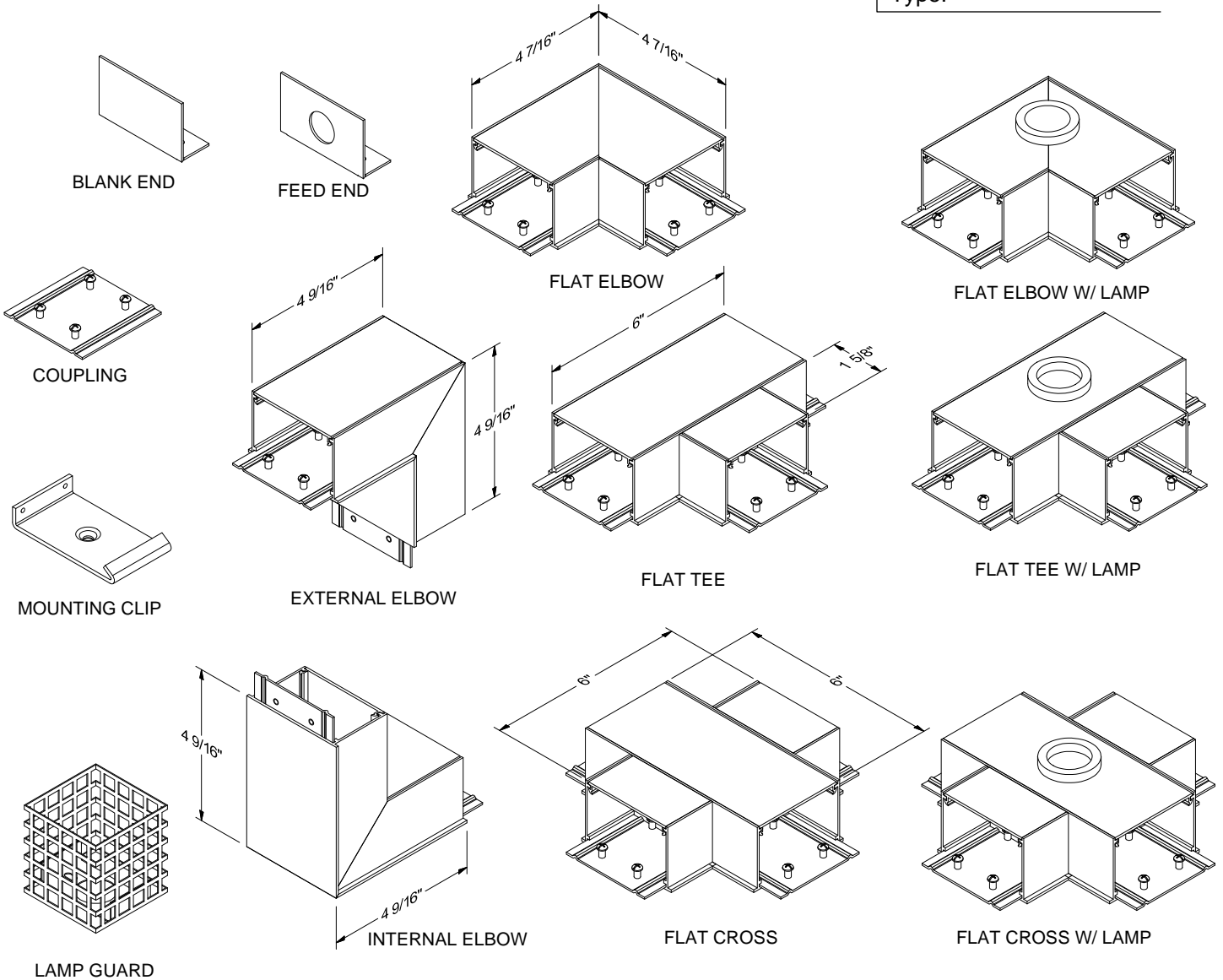
<u>DESCRIPTION</u>	<u>SATIN ALUMINUM</u>
2' FIXTURE, 6 LAMP HOLDERS, 4" O.C.	330204
3' FIXTURE, 9 LAMP HOLDERS, 4" O.C.	330304
4' FIXTURE, 12 LAMP HOLDERS, 4" O.C.	330404
8' FIXTURE, 24 LAMP HOLDERS, 4" O.C.	330804
2' FIXTURE, 4 LAMP HOLDERS, 6" O.C.	330206
3' FIXTURE, 6 LAMP HOLDERS, 6" O.C.	330306
4' FIXTURE, 8 LAMP HOLDERS, 6" O.C.	330406
8' FIXTURE, 12 LAMP HOLDERS, 6" O.C.	330806
2' FIXTURE, 2 LAMP HOLDERS, 12" O.C.	330212
3' FIXTURE, 3 LAMP HOLDERS, 12" O.C.	330312
4' FIXTURE, 4 LAMP HOLDERS, 12" O.C.	330412
8' FIXTURE, 5 LAMP HOLDERS, 12" O.C.	330812
3' FIXTURE, 1 LAMP HOLDER, 24" O.C.	330324
4' FIXTURE, 2 LAMP HOLDERS, 24" O.C.	330424
8' FIXTURE, 4 LAMP HOLDERS, 24" O.C.	330824

SPECIFICATIONS

- Extruded aluminum with anodized finish standard, custom finishes upon special request.
- Supplied with flush mounted porcelain medium base lamp holders, lamps by others.
- Fixtures are shipped with blank end caps, for continuous row mounting, simply remove end caps where luminaires meet, and use the internal coupler (provided) to make a seamless link.
- Easy installation and wiring through snap off wiring compartment.
- Incandescent lamps are easily dimmed with standard dimming controls.
- 60 watt max lamps for ceiling mount, 150 watt max for wall mounting or lamp base down mounting.
- Ideal for use with screw base energy efficient alternate to incandescent lamps.
- All units are UL & CUL LISTED damp locations. Optionally available for wet locations.
- Consult factory for special lengths, miters, lamp spacing, curving & layouts.
- On custom length continuous row luminaires lamp centers are adjusted to fit evenly over the length of the fixture.
- Lamp guards are available in square, round or hex shapes. See lamp guard sheets for information.



Type: _____



DESCRIPTION

COUPLING
BLANK END
END FITTING, 1/2" K.O.
MOUNTING CLIP
FLAT ELBOW
FLAT ELBOW W/ LAMPHOLDER
INTERNAL ELBOW
EXTERNAL ELBOW

**SATIN
ALUMINUM**

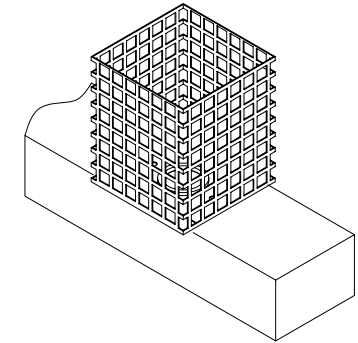
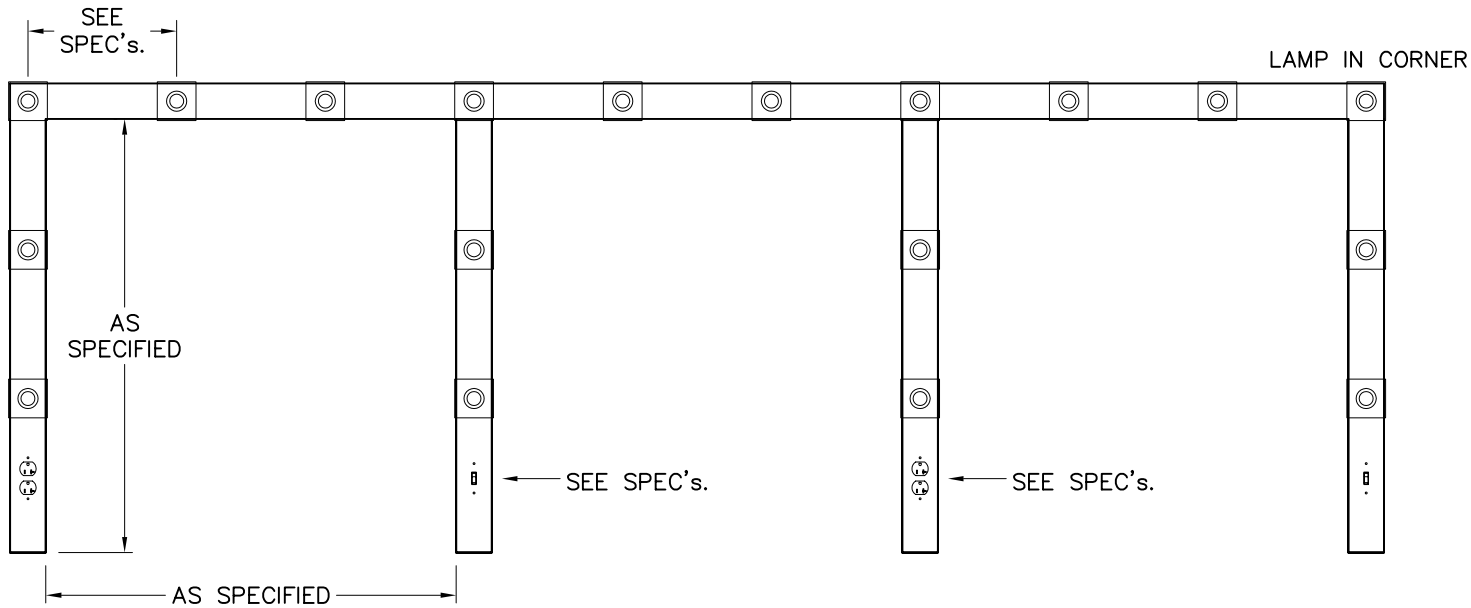
330430
330470
330480
330490
330890
330900
330910
330920

DESCRIPTION

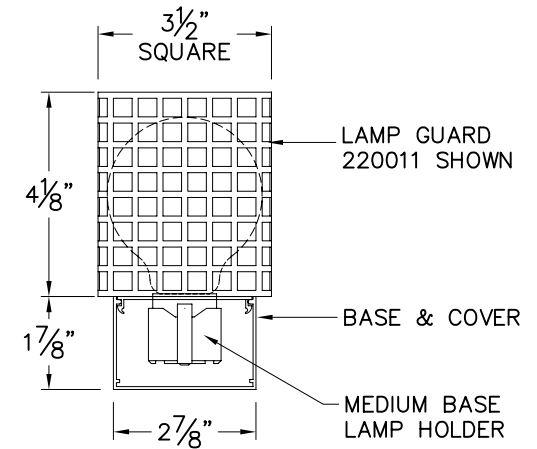
TEE
TEE W/ LAMPHOLDER
CROSS
CROSS W/ LAMPHOLDER
"A" TYPE LAMPGUARD
"G25" TYPE LAMPGUARD
"G40" TYPE LAMPGUARD

**SATIN
ALUMINUM**

330930
330940
330950
330960
220001
220011
220021



Made to order for individual or multiple mirror applications depending on job requirements.
Factory mitered corners and tees available with or without lampholders.
Lamp spacing as specified. Actual lamp spacing is adjusted for even spacing after layout is determined.
Factory wired for easy installation. Intersecting legs have thru wiring provision.
Satin finish luminaires manufactured from .060 nominal extruded 6063 T5 anodized aluminum.
Consult factory for custom finishes.
Available with porcelain medium base lampholders up to 150 watts or phenolic candelabra base lampholders up to 40 watts.
Available with 15 or 20 Amp single or duplex devices.
Available with integral rocker, toggle or dimming switches.
Airey-Thompson dressing room luminaires are available with open ended lamp guards that meet NEC 520-72.
Lamp guards are available in bright nickel or bright brass finishes and in four sizes for G16-1/2, A19, G25 or G40.



AIREY-THOMPSON

5310 Irwindale Ave.
 Irwindale CA 91706
 Tel. No's
 626-960-3355
 800-421-6196

DESCRIPTION:

32 SERIES, MBLH, MULTIPLE MIRROR UNIT
DRESSING ROOM FIXTURE

DRAWN BY:

V.M.

DATE:

12-07-06

CAD FILE:

32Mir-sht1-06a

SCALE:

NONE

MATERIAL:

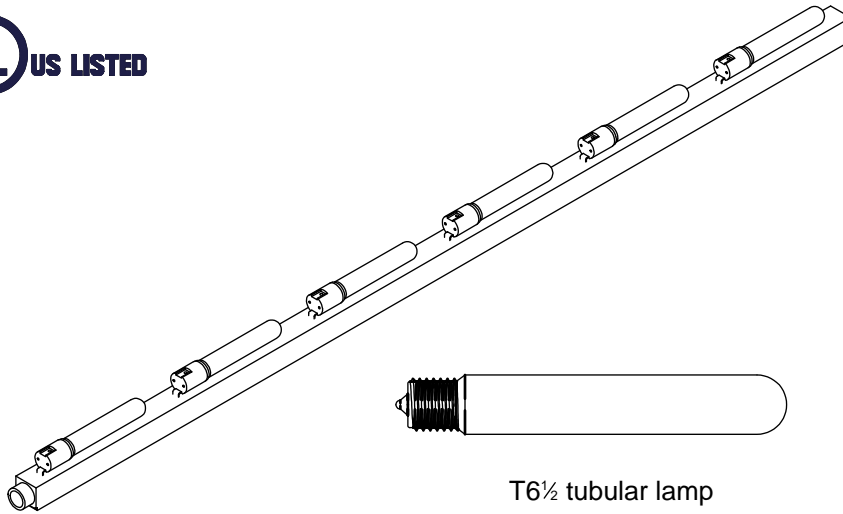
AS NOTED

FINISH:

AS NOTED

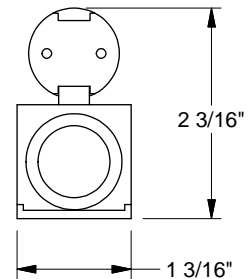


Type: _____



T6½ tubular lamp
Optionally available with lamps included

BACK TO
DECORATIVE
INCANDESCENT



SPECIFICATIONS

- Extruded 6063-T5 aluminum base and cover with .050 nominal wall thickness.
- Satin anodized aluminum finish. Custom finishes available on special request.
- Offers the incandescent lamps color rendering that is required in many installations.
- Easy installation and wiring through snap off wiring compartment.
- Easily dimmable with standard dimming controls.
- Lamps mounted on 8 in. centers for continuous row fixtures.
- Supplied with phenolic intermediate base lamp holders.
- Lamps are available clear or frosted in 20, 25, & 40 watts.
- Single lamp fixtures for small niche or wall sconce.
- End to end lamp configurations for continuous even light distribution.
- Fixtures are shipped with one feed end fitting and one blank end fitting, for continuous row mounting, simply remove end caps where luminaires meet, and use the internal coupler (provided) to make a seamless link.
- All units are UL & CUL LISTED damp locations.
- Consult factory for special miters, lamp spacing and curving.
- On continuous row fixtures the standard lamp centers is maintained and any difference in length is balanced out on each end.

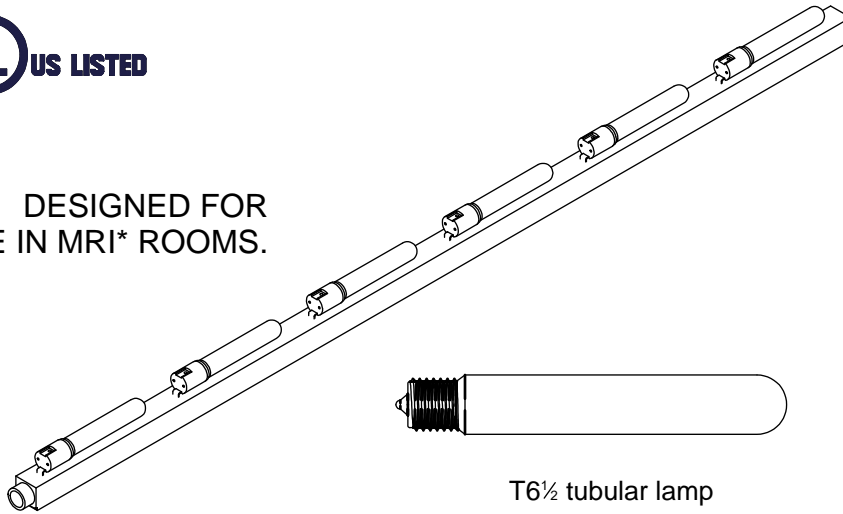
<u>SINGLE UNIT CATALOG NO.</u>	<u>LENGTH</u>
6565	7.5 IN

<u>MULTIPLE UNIT CATALOG NO.</u>	<u>LENGTH (Specify)</u>
6565-X	____ FT. ____ IN.

Type: _____

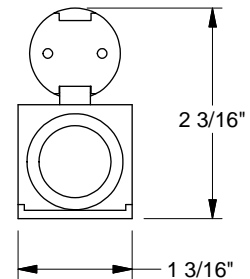


DESIGNED FOR
USE IN MRI* ROOMS.



T6½ tubular lamp
Optionally available with lamps included

BACK TO
DECORATIVE
INCANDESCENT



SPECIFICATIONS

- Fixtures are made from non-ferrous materials and components.
- Extruded 6063-T5 aluminum base and cover with .050 nominal wall thickness.
- Satin anodized aluminum finish. Custom finishes available on special request.
- Offers the incandescent lamps color rendering that is required in many installations.
- Easy installation and wiring through snap off wiring compartment.
- Easily dimmable with standard dimming controls.
- Lamps mounted on 8 in. centers for continuous row fixtures.
- Supplied with phenolic intermediate base lamp holders.
- Lamps are available clear or frosted in 20, 25, & 40 watts.
- Single lamp fixtures for small niche or wall sconce.
- End to end lamp configurations for continuous even light distribution.
- Fixtures are shipped with one feed end fitting and one blank end fitting, for continuous row mounting, simply remove end caps where luminaires meet, and use the internal coupler (provided) to make a seamless link.
- All units are UL & CUL LISTED damp locations.
- Consult factory for special miters, lamp spacing and curving.
- On continuous row fixtures the standard lamp centers is maintained and any difference in length is balanced out on each end.

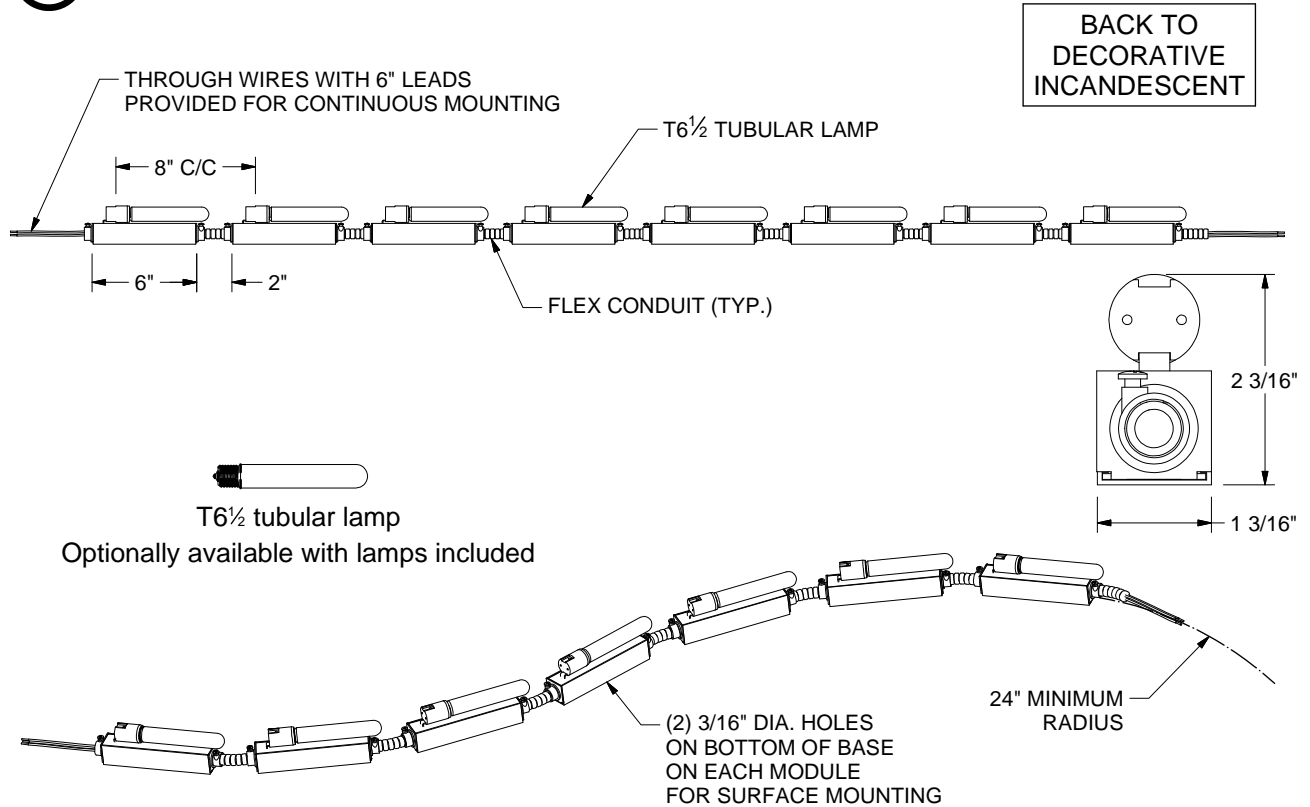
* Magnetic Resonance Imaging

<u>SINGLE UNIT CATALOG NO.</u>	<u>LENGTH</u>
65MRI	7.5 IN

<u>MULTIPLE UNIT CATALOG NO.</u>	<u>LENGTH (Specify)</u>
65MRI-X	____ FT. ____ IN.



Type: _____



SPECIFICATIONS

- Luminaires are made from non-ferrous materials and components for **Magnetic Resonance Imaging** applications.
- Extruded 6063-T5 aluminum base and cover with .050 nominal wall thickness.
- Satin anodized aluminum finish. Custom finishes available on special request.
- Supplied with phenolic intermediate base lamp holders.
- Lamps mounted on 8 in. centers for continuous even light distribution.
- Consult factory for special lamp spacing.
- Lamps available in clear or frosted, 20, 25, & 40 watts.
- Offers the incandescent lamps color rendering that is required in many installations.
- Easy installation and wiring through snap off wiring compartment.
- Easily dimmable with standard dimming controls.
- Fixtures are shipped with through wires for continuous row installations.
- Luminaires are UL & CUL LISTED suitable for dry locations.

SINGLE UNIT CATALOG NO. LENGTH

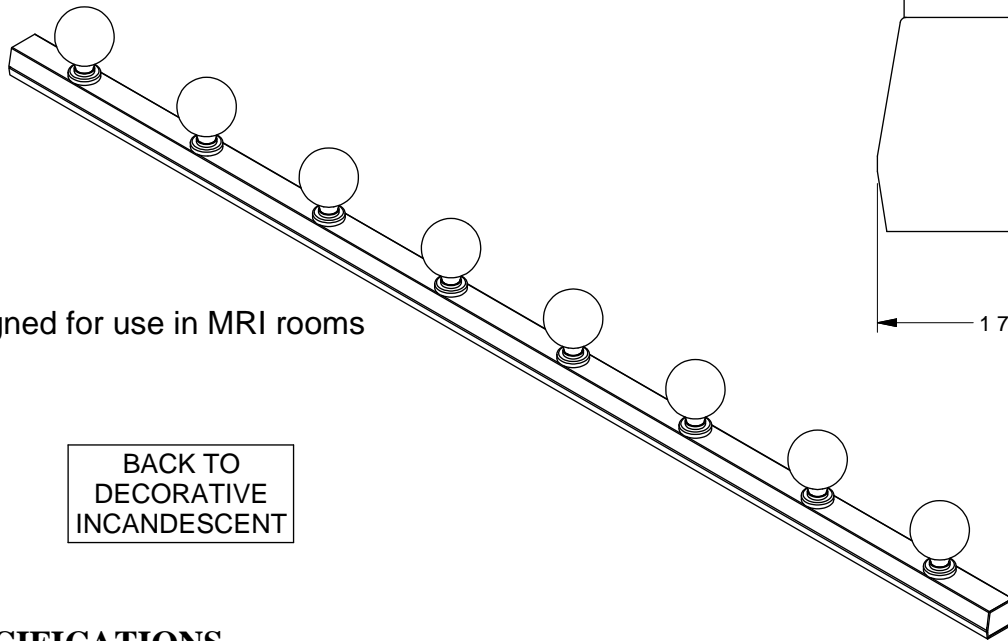
65MRIF 6 IN

MULTIPLE UNIT CATALOG NO. LENGTH (Specify)

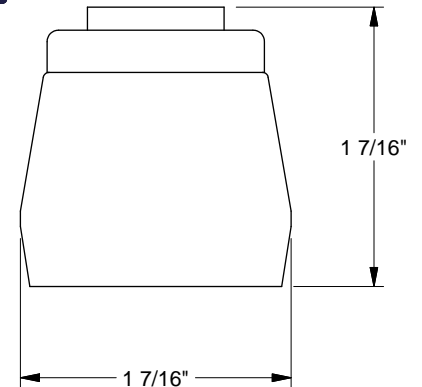
65MRIF-X ____ FT. ____ IN.



Type: _____



Designed for use in MRI rooms



BACK TO
DECORATIVE
INCANDESCENT

SPECIFICATIONS

- Fixtures are made from non-ferrous materials and components.
- Extruded 6063-T5 aluminum base and cover with .050 nominal wall thickness.
- Satin anodized aluminum finish. Custom finishes available on special request.
- Supplied with phenolic candelabra base lamp holders, lamps by others.
- Fixtures are shipped with blank end caps, for continuous row mounting, simply remove end caps where luminaires meet, and use the internal coupler (provided) to make a seamless link.
- Easy installation and wiring through snap off wiring compartment.
- Easily dimmable with standard dimming controls.
- Lamps mounted on 6 in. centers is standard, however custom spacing is available.
- 40 watt max lamps for ceiling mount, 60 watt max for wall mounting or lamp base down mounting.
- All units are UL & CUL LISTED damp locations.
- Consult factory for special lengths, miters, lamp spacing, curving, layouts, lead time and prices.
- On custom length continuous row luminaires lamp centers are adjusted to fit evenly over the length of the fixture.
- Lamp guards are available. See lamp guard sheet for information.

MULTIPLE UNIT CATALOG NO. LENGTH (Specify)

118MRI-X _____ FT. ____ IN.

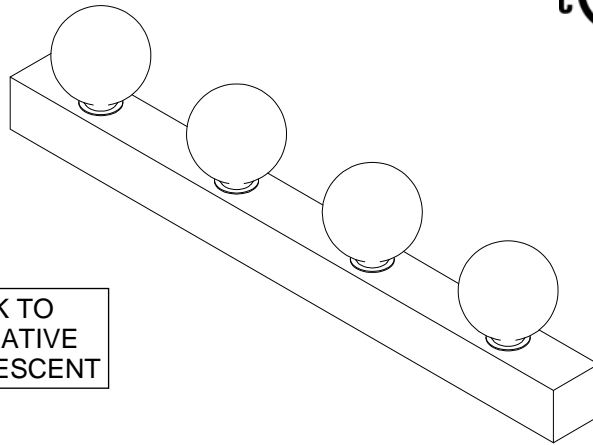


AIREY-THOMPSON™
Manufacturing Quality Luminaires

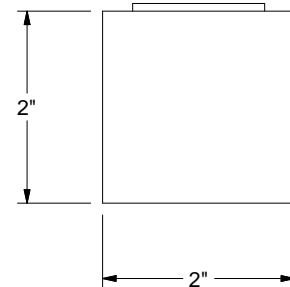
2+2 MRI SERIES DECORATIVE STRIP LIGHTS W/ MEDIUM BASE LAMP HOLDERS NON-FERROUS COMPONENTS FIXTURE



Type: _____



BACK TO
DECORATIVE
INCANDESCENT



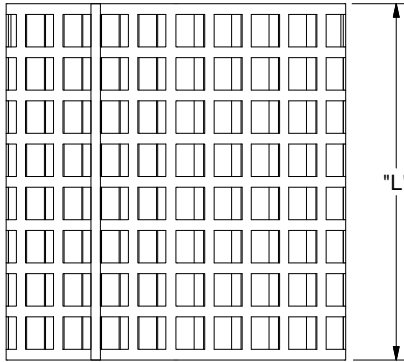
DESCRIPTION

	<u>SATIN ALUMINUM</u>	<u>POLISHED ALUMINUM</u>	<u>POLISHED GOLD</u>
2' FIXTURE, 4 LAMP HOLDERS, 6" O.C.	222060MRI	222061MRI	222062MRI
3' FIXTURE, 6 LAMP HOLDERS, 6" O.C.	223060MRI	223061MRI	223062MRI
4' FIXTURE, 8 LAMP HOLDERS, 6" O.C.	224060MRI	224061MRI	224062MRI
5' FIXTURE, 10 LAMP HOLDERS, 6" O.C.	225060MRI	225061MRI	225062MRI
10' FIXTURE, 20 LAMP HOLDERS, 6" O.C.	220060MRI	220061MRI	220062MRI
2' FIXTURE, 2 LAMP HOLDERS, 12" O.C.	222120MRI	222121MRI	222122MRI
3' FIXTURE, 3 LAMP HOLDERS, 12" O.C.	223120MRI	223121MRI	223122MRI
4' FIXTURE, 4 LAMP HOLDERS, 12" O.C.	224120MRI	224121MRI	224122MRI
5' FIXTURE, 5 LAMP HOLDERS, 12" O.C.	225120MRI	225121MRI	225122MRI
10' FIXTURE, 10 LAMP HOLDERS, 12" O.C.	220120MRI	220121MRI	220122MRI

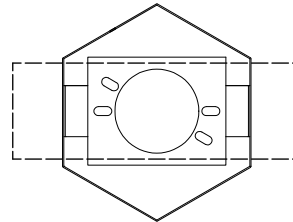
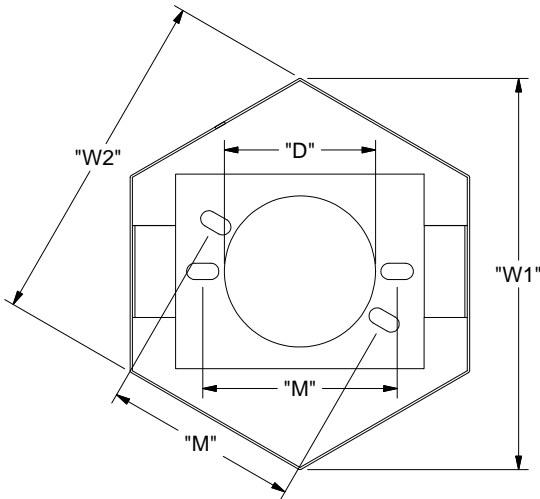
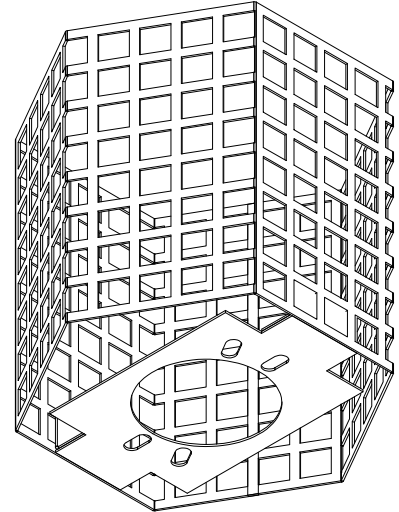
SPECIFICATIONS

- Fixtures are made from non-ferrous materials and components.
- Extruded aluminum with satin, polished aluminum or polished gold finish standard, custom finishes available upon special request.
- Supplied with phenolic medium base lamp holders, lamps by others.
- Fixtures are shipped with blank end caps, for continuous row mounting, simply remove end caps where luminaires meet, and use the internal coupler (provided) to make a seamless link.
- Easy installation and wiring through snap off wiring compartment.
- Incandescent lamps are easily dimmed with standard dimming controls.
- 60 watt max lamps for ceiling mount, 150 watt max for wall mounting or lamp base down mounting.
- All units are UL & CUL LISTED dry locations.
- Consult factory for special lengths, miters, lamp spacing, curving & layouts,
- On custom length continuous row luminaires lamp centers are adjusted to fit evenly over the length of the fixture.

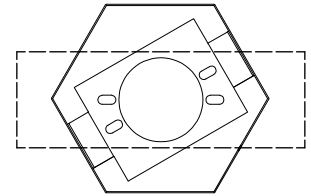
Type: _____



BACK TO
DECORATIVE
INCANDESCENT



Lamp guard may be mounted
point perpendicular to extrusion.



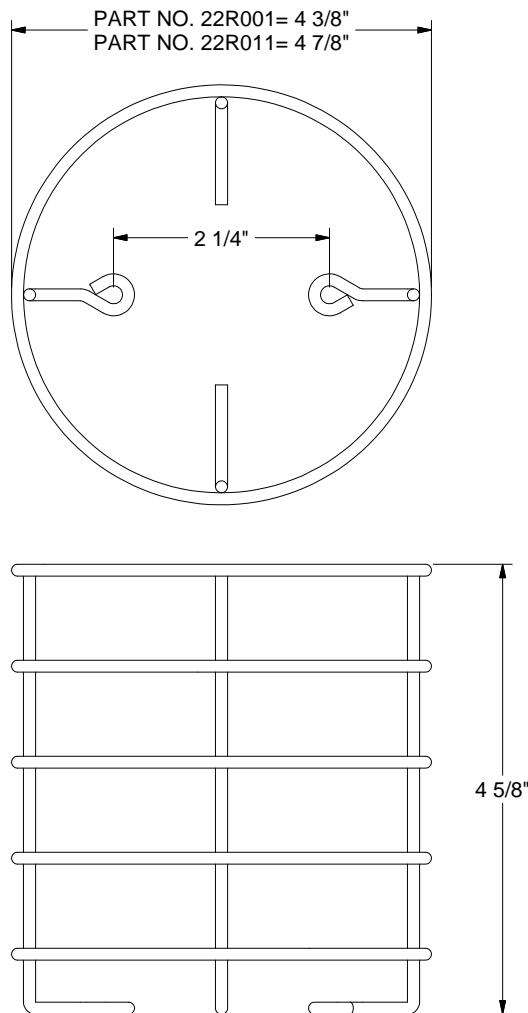
Lamp guard may also be mounted
point parallel to extrusion.

PART NO.	FINISH	DESCRIPTION	"W1"	"W2"	"L"	"D"	"M"
220031	Bright Nickel	Medium base up to A19 lamp	3 7/8"	3 3/8"	4 1/8"	1 3/4"	2 1/4"
220032	Bright Brass	Medium base up to A19 lamp	3 7/8"	3 3/8"	4 1/8"	1 3/4"	2 1/4"
220041	Bright Nickel	Medium base up to G25 lamp	4 1/2"	3 15/16"	4 1/8"	1 3/4"	2 1/4"
220042	Bright Brass	Medium base up to G25 lamp	4 1/2"	3 15/16"	4 1/8"	1 3/4"	2 1/4"

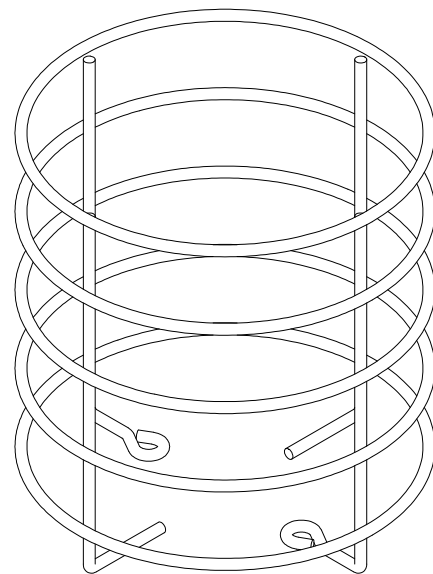
SPECIFICATIONS

- Lamp guards are available in bright nickel plating for satin aluminum and polish aluminum luminaires.
- For polished gold luminaires, lamp guards are available in bright brass plating.
- Lamp guards are available with a custom painted finish on special order.
- All lamp guards are manufactured from 3/8" square opening, 1/8" web, 22 ga. c.r.s.
- Complies with National Electrical Code (NEC) Section #520.72, which states:
All exposed incandescent lamps in dressing rooms, where less than 2.5 m (8 feet) from floor, shall be equipped with open-end guards riveted to the outlet box cover or otherwise sealed or locked in place.
- Luminaires will be prepunched for mounting screws when ordered with lamp guards.
- Field drilling may be required if luminaires are ordered separately.

Type: _____



BACK TO
DECORATIVE
INCANDESCENT



PART NO.

22R001

22R011

FINISH

Bright Nickel

Bright Nickel

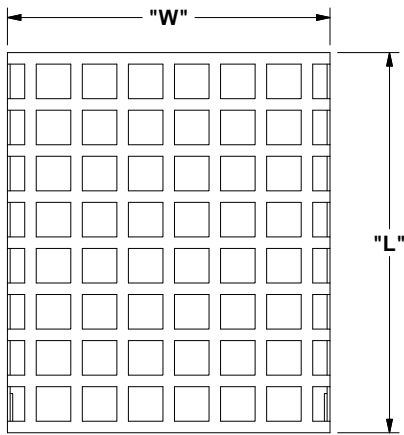
DESCRIPTION

Medium Base up to A19 lamp

Medium Base up to G25 lamp

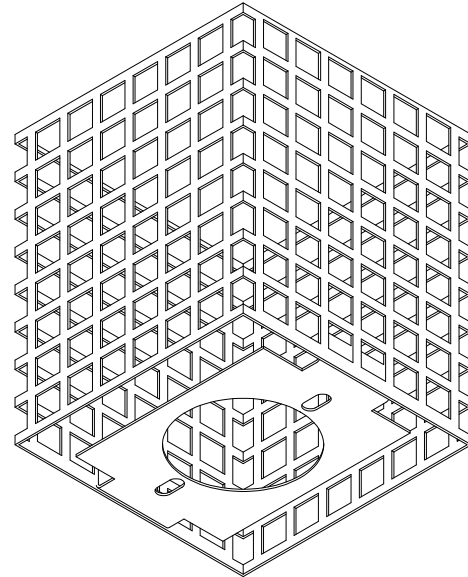
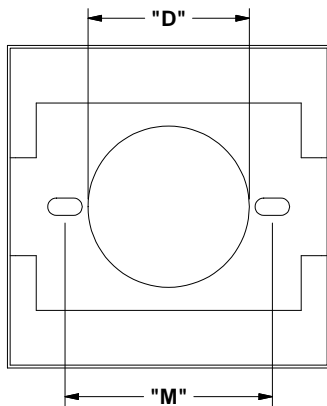
SPECIFICATIONS

- Lamp guards are available with a custom painted finish on special order.
- Lamp guards are manufactured from #11 ga. c.r.s. wire.
- Complies with National Electrical Code (NEC) Section #520.72, which states:
All incandescent lamps in dressing rooms, where less than 8 feet (2.5 m) from floor, shall be equipped with open-end guards riveted to the outlet box cover or otherwise sealed or locked in place.
- Luminaires will be prepunched for mounting screws when ordered with lamp guards.
- Field drilling may be required if luminaires are ordered separately.



Type:

BACK TO
DECORATIVE
INCANDESCENT

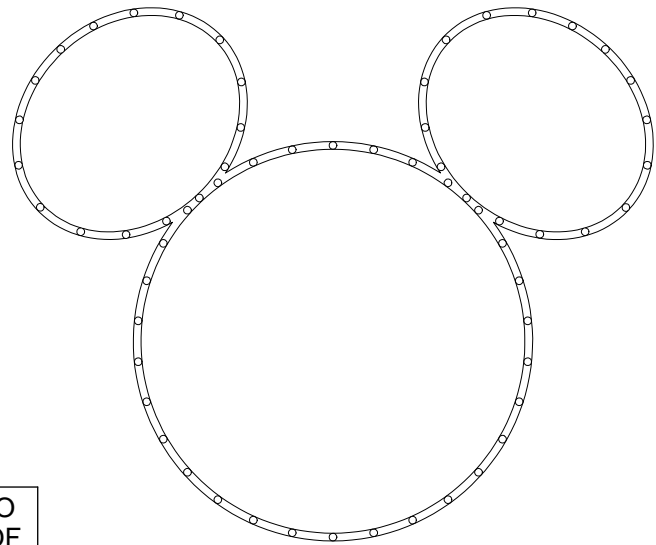
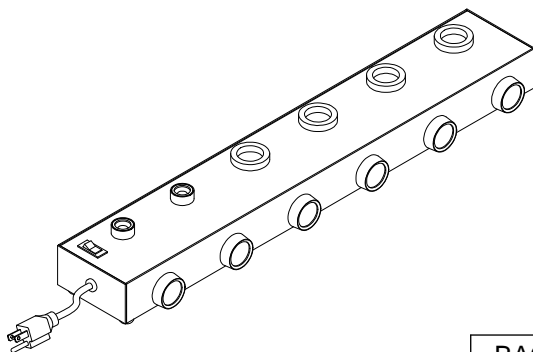


PART NO.	FINISH	DESCRIPTION	"W"	"L"	"D"	"M"
118001	Bright Nickel	Candelabra base up to G16 1/2 lamp	2 1/2"	2 5/8"	1 1/16"	1 3/4"
118002	Bright Brass	Candelabra base up to G16 1/2 lamp	2 1/2"	2 2/8"	1 1/16"	1 3/4"
220001	Bright Nickel	Medium base up to A19 lamp	3 1/8"	4 1/8"	1 3/4"	2 1/4"
220002	Bright Brass	Medium base up to A19 lamp	3 1/8"	4 1/8"	1 3/4"	2 1/4"
220011	Bright Nickel	Medium base up to G25 lamp	3 1/2"	4 1/8"	1 3/4"	2 1/4"
220012	Bright Brass	Medium base up to G25 lamp	3 1/2"	4 1/8"	1 3/4"	2 1/4"
220021	Bright Nickel	Medium base up to G40 lamp	6 1/8"	7 1/8"	1 3/4"	2 1/4"
220022	Bright Brass	Medium base up to G40 lamp	6 1/8"	7 1/8"	1 3/4"	2 1/4"

SPECIFICATIONS

- Lamp guards are available in bright nickel plating for satin aluminum and polish aluminum luminaires.
- For polished gold luminaires, lamp guards are available in bright brass plating.
- Lamp guards are available with a custom painted finish on special order.
- All lamp guards are manufactured from 3/8" square opening, 1/8" web, 22 ga. c.r.s. The 220021 and 220022 have 1/2" X 16 ga. c.r.s. stiffeners top and bottom.
- Complies with National Electrical Code (NEC) Section #520.72, which states: All incandescent lamps in dressing rooms, where less than 8 feet (2.5 m) from floor, shall be equipped with open-end guards riveted to the outlet box cover or otherwise sealed or locked in place.
- Luminaires will be prepunched for mounting screws when ordered with lamp guards.
- Field drilling may be required if luminaires are ordered separately.

Architects, designers and lighting engineers who know us, know the lengths we will go to develop lighting true to their vision. Custom lighting is our specialty, and we want to bring your creative lighting ideas to life! Indoor or out. Incandescent or fluorescent. Modular or continuous. We have a talented staff that can work with your ideas and develop the luminaire that matches what you've been looking for. Most of the lighting we manufacture is made of non-corrosive extruded aluminum which provides design flexibility and guaranteed durability. And because our sheet metal shop is fully equipped for custom fabrication and tooling, we can simply modify our standard product, or custom fabricate out of most any kind of material, all in house.

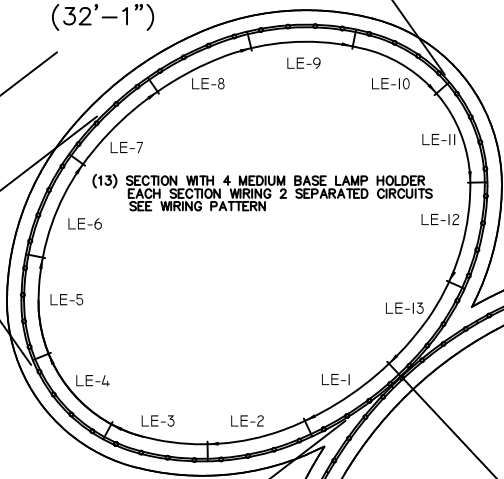


BACK TO
TABLE OF
CONTENTS

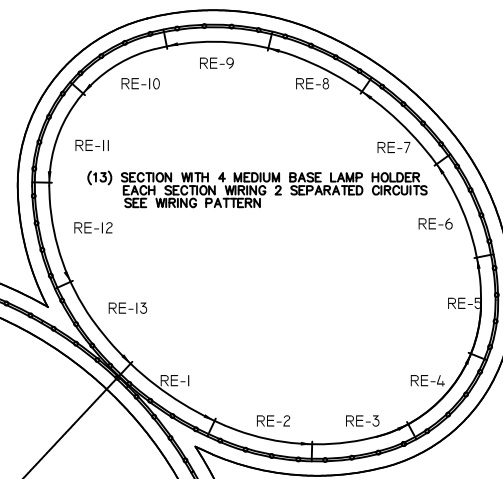
Airey-Thompson prides itself on the ability to re-think old concepts and develop new ones utilizing customer input. We consider ourselves team players and develop our products around demands from the field to make them just what our customer wants. We welcome lighting challenges, as well as your inquiries. Call today to discuss your special requirements.

(32'-1")

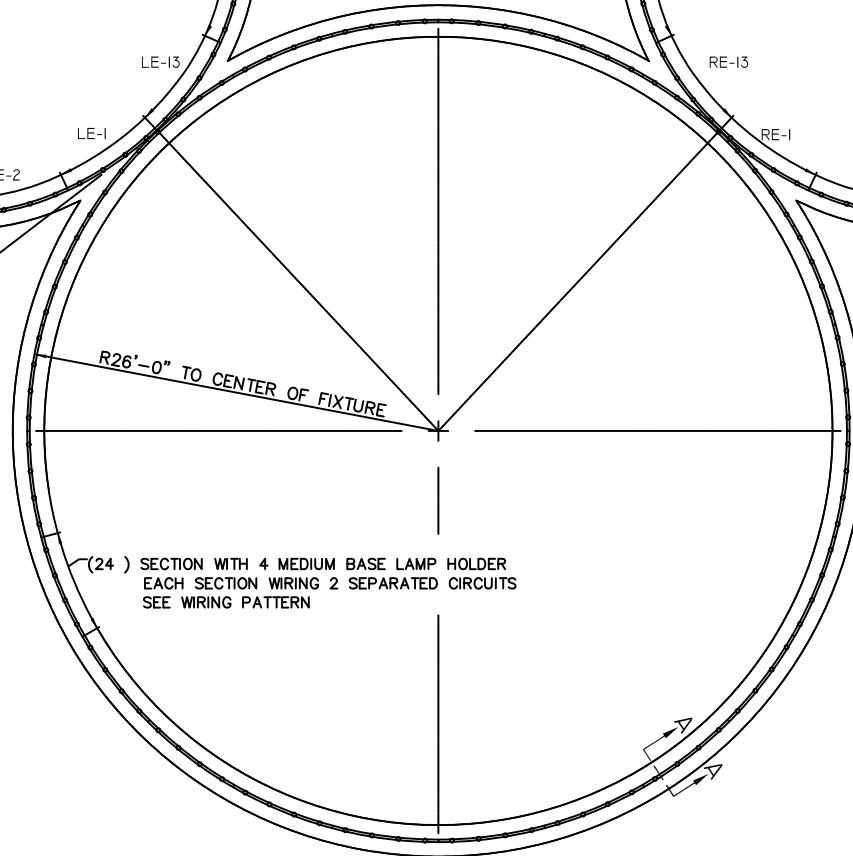
(27'-5")



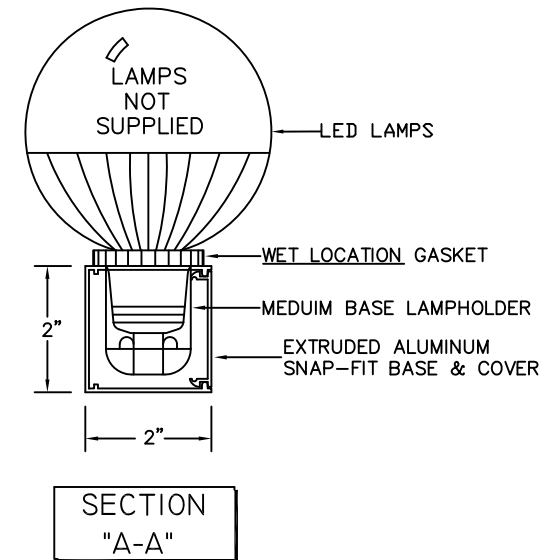
(13) SECTION WITH 4 MEDIUM BASE LAMP HOLDER
EACH SECTION WIRING 2 SEPARATED CIRCUITS
SEE WIRING PATTERN



(13) SECTION WITH 4 MEDIUM BASE LAMP HOLDER
EACH SECTION WIRING 2 SEPARATED CIRCUITS
SEE WIRING PATTERN



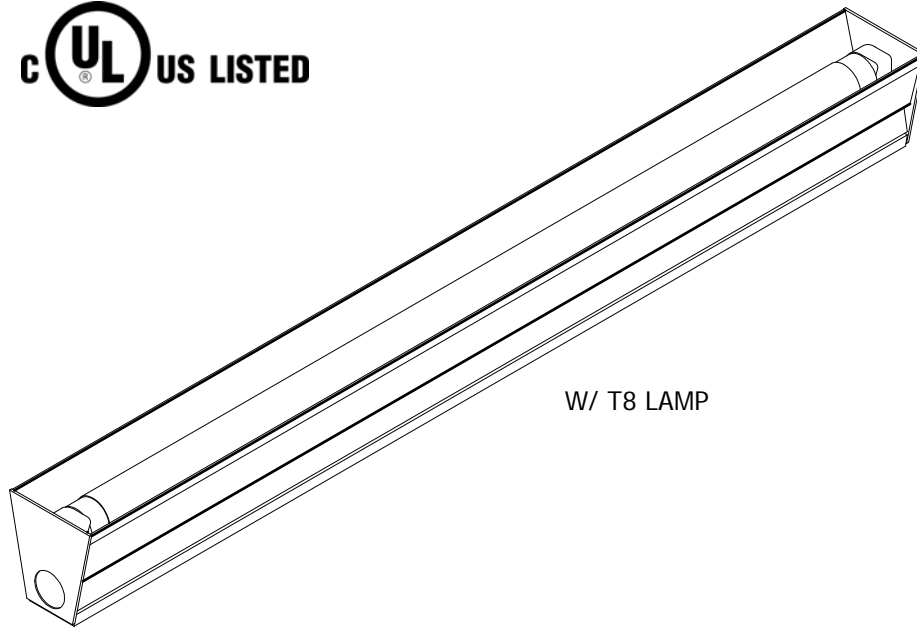
(24) SECTION WITH 4 MEDIUM BASE LAMP HOLDER
EACH SECTION WIRING 2 SEPARATED CIRCUITS
SEE WIRING PATTERN



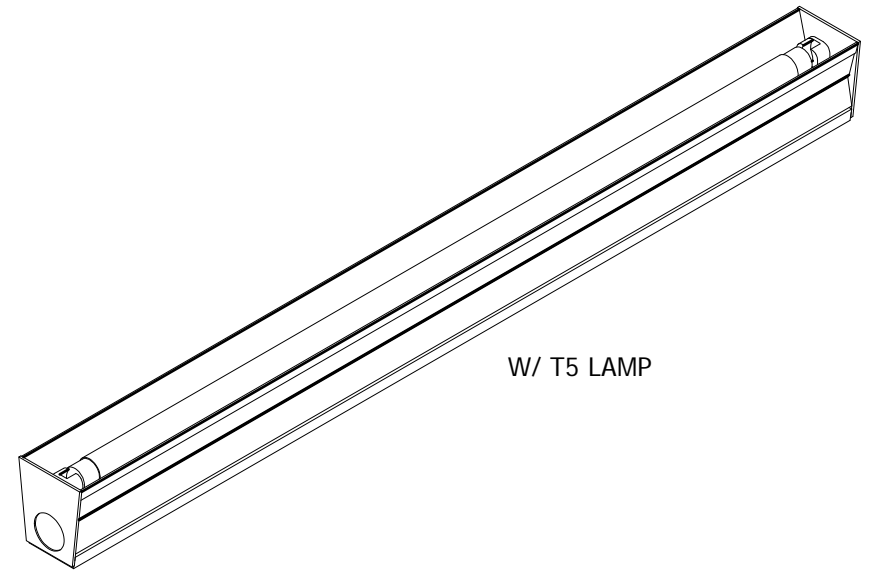
UL & CUL LISTED WET LOCATIONS.

 **AIREY-THOMPSON™**
www.airey-thompson.com
5310 N. Irwindale Ave.
Irwindale CA 90706
Tel. 800-421-6196

DESCRIPTION: SL-2+2 SERIES SPECIAL CAD FILE: CATALOG 7079D000		
DWG. BY: T.L.	DATE:	SCALE: NONE
MATERIAL: SEE NOTES		FINISH: POLISHED GOLD



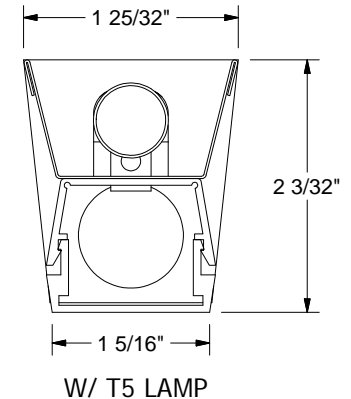
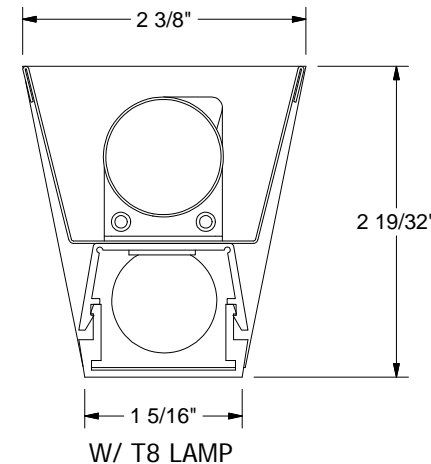
W/ T8 LAMP




W/ T5 LAMP

SPECIFICATIONS

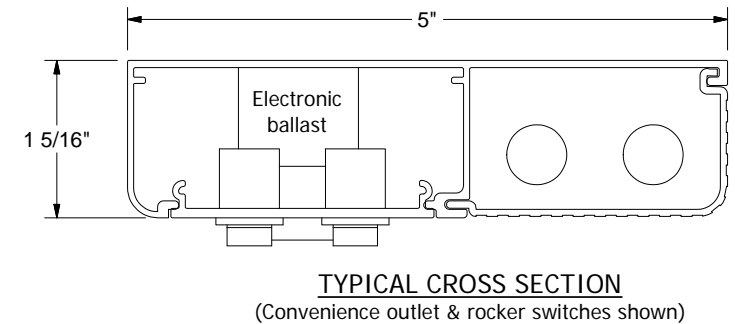
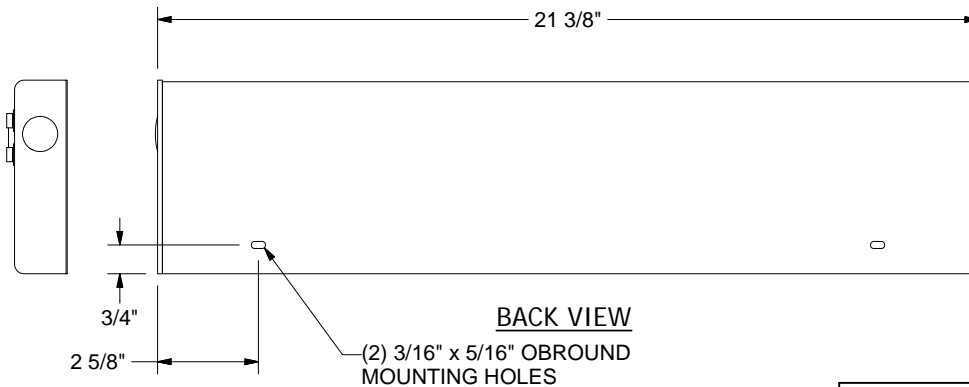
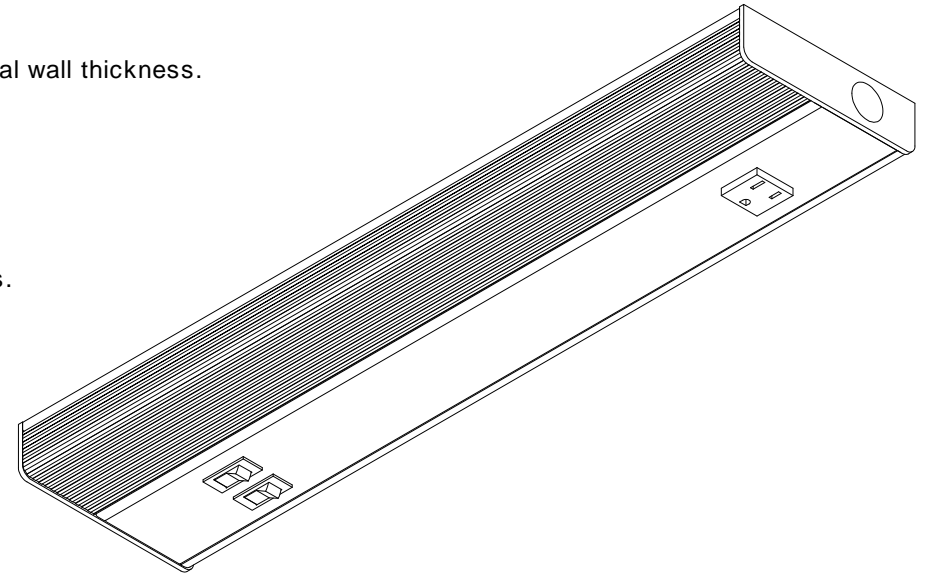
- * All models equipped with integral 120 volt electronic ballasts.
- * Small cross section allows placement in tough, space restricted locations.
- * Robust housing includes extruded 6063T-5 aluminum base and cover.
- * Satin anodized aluminum finish is standard, custom finishes available upon request.
- * All models shipped with spring mounting clips for easy Luminaire mounting.
- * Reflector, .020 thick specular material.
- * Available for use with a wide variety of lamp types.
- * Available in hardwired configurations or with cord and switch.
- * All hardwired models equipped with #14 Ga thru wires & coupler for continuous row installations.
- * All hardwired models include threaded end caps, and KO's in the base to allow feeding from ends or back.
- * Tube guards available upon request.
- * The factory will be happy to discuss all of your special requests.
- * Fixture is UL & CUL LISTED damp location.




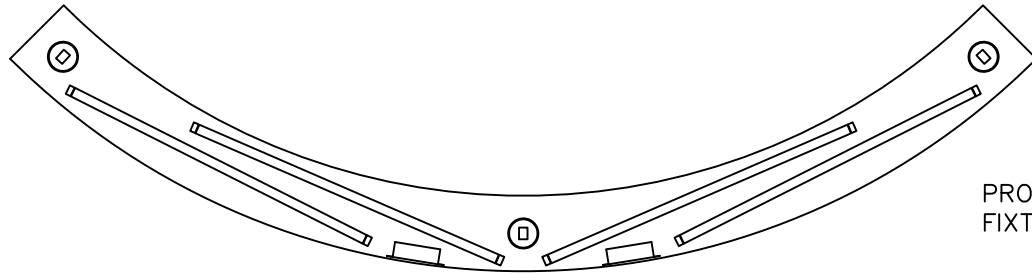
 5310 N. Irwindale Ave. Irwindale CA 91706 Tel. No's. 626-960-3355 800-421-6196 Fax no. 626-960-3525	DESCRIPTION:			
	28 SERIES, T8 & T5 LAMPS WITH CUSTOM SYMMETRICAL SPECULAR REFLECTOR			
	DRAWN BY:	DATE:	CAD FILE:	SCALE:
V.M.		CATALOG Q10661	NONE	
MATERIAL:			FINISH:	
SEE SPEC's			SEE SPEC's	

SPECIFICATIONS

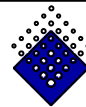
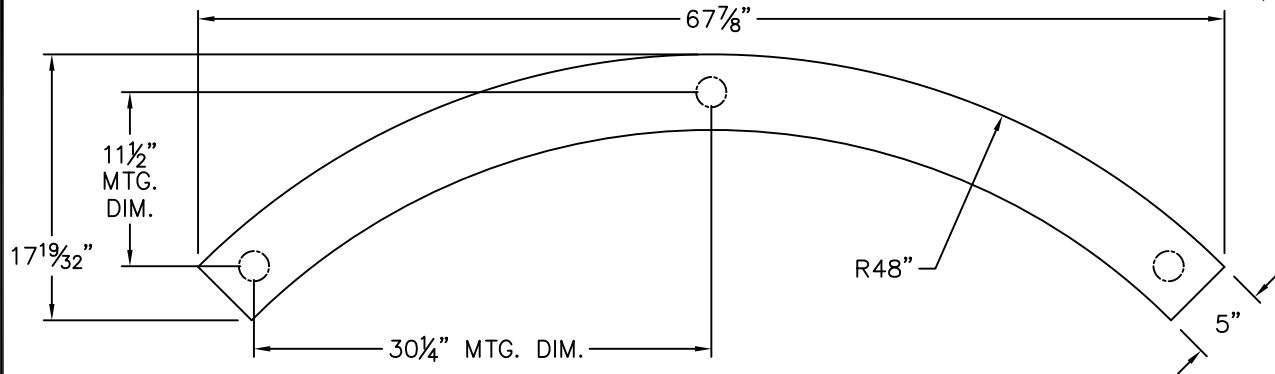
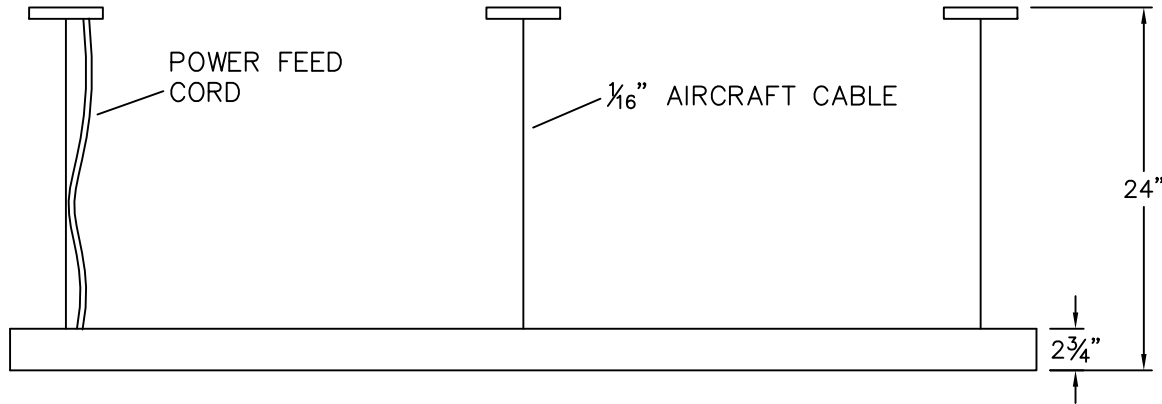
- * White powder coat or satin anodized aluminum finish is standard. Custom finishes available upon request.
- * High impact prismatic, die formed, acrylic lenses are available in clear or co-molded.
 - Co-molded lens has a semi-opaque front for high visual comfort.
- * All models equipped with integral 120 volt electronic ballasts. 277 volt available for most applications.
- * Low 1-5/16" profile allows placement in shallow locations.
- * Robust housing includes extruded 6063T-5 aluminum base and cover with .060 nominal wall thickness.
- * Die formed .125" end caps with no visible fasteners.
- * Fixtures can be mounted in continuous lengths with provided internal coupling.
- * Available for use with a wide variety of T5 lamp types.
- * Available in hardwired configurations or with cord and switch.
- * All hardwired models equipped with an internal coupler for continuous row installations.
- * All hardwired models include feed end caps to allow feeding from ends.
- * All units are UL & CUL LISTED damp locations
- * The factory will be happy to discuss all of your special requests.



 5310 N. Irwindale Ave. Irwindale CA 91706 Tel. No's. 626-960-3355 800-421-6196 Fax no. 626-960-3525		DESCRIPTION:			
		CUSTOM 12 SERIES UNDERCABINET LUMINAIRE WITH SIDE BY SIDE F13T5 LINEAR FLUORESCENT LAMPS			
DRAWN BY:	DATE:	CAD FILE:	SCALE:		
V.M.		CATALOG Q10664	NONE		
MATERIAL:			FINISH:		
SEE SPEC's.			SEE SPEC's.		



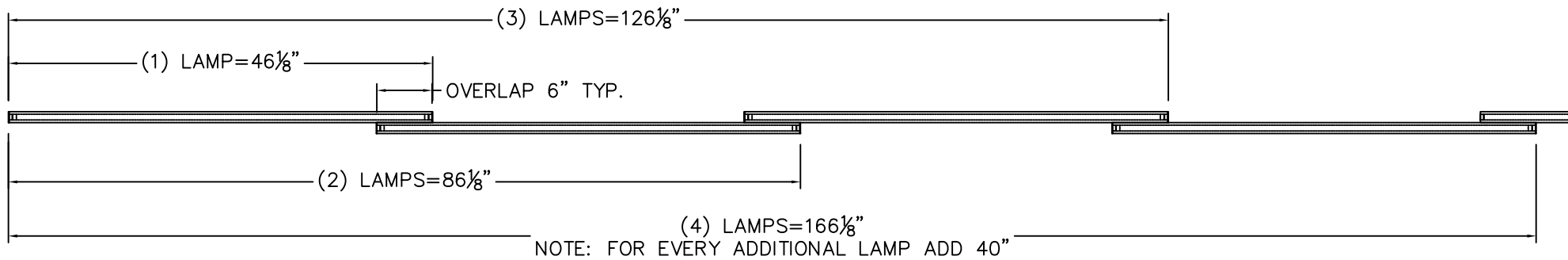
PROVIDED W/120V ELECTRONIC BALLAST FOR F24T5 LAMPS.
 FIXTURE IS UL & CUL LISTED DAMP LOCATIONS.



AIREY-THOMPSON

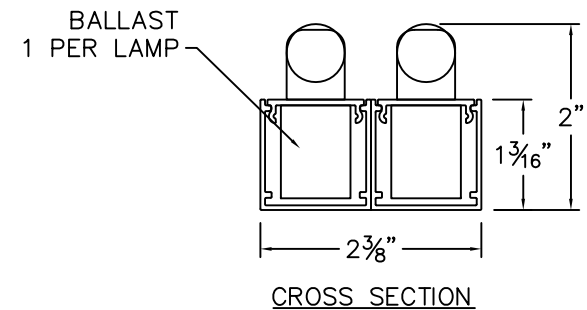
5310 Irwindale Ave.
 Irwindale CA 91706
 Tel. No's
 626-960-3355
 800-421-6196

DESCRIPTION:			
SPECIAL FIXTURE W/(4) F24T5 UP LIGHTS			
DRAWN BY:	DATE:	CAD FILE:	SCALE:
V.M.		CATALOG Q10716	NONE
MATERIAL:		FINISH:	
HOUSING: 16 GA CRS		WHITE POWDER COAT	



GENERAL SPECIFICATIONS:

- * HOUSING & COVERS: EXTRUDED 6063-T5 ALUMINUM WITH SATIN ANODIZED FINISH.
- * BALLAST: ELECTRONIC HIGH POWER FACTOR, 120 VOLTS.
- * SUITABLE FOR CONTINUOUS ROW MOUNTING, SPECIAL FEATURES INCLUDE:
- * 14 GA. THRU WIRES WITH WIRE CONNECTORS.
- * FIXTURE IS UL AND CUL LISTED DAMP LOCATIONS.



AIREY-THOMPSON

5310 Irwindale Ave.
Irwindale CA 91706
Tel. No's
626-960-3355
800-421-6196

DESCRIPTION:

LINEAR F28T5 FLUORESCENT, STAGGERED

DRAWN BY:

DATE:

CAD FILE:

SCALE:

V.M.

CATALOG Q10799

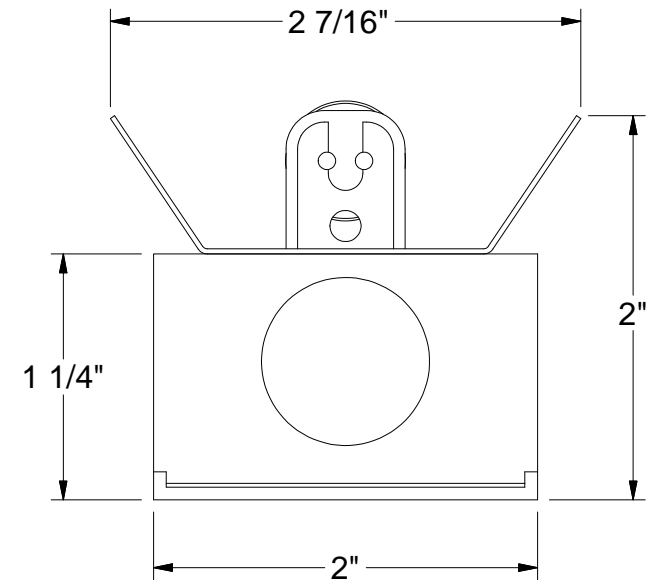
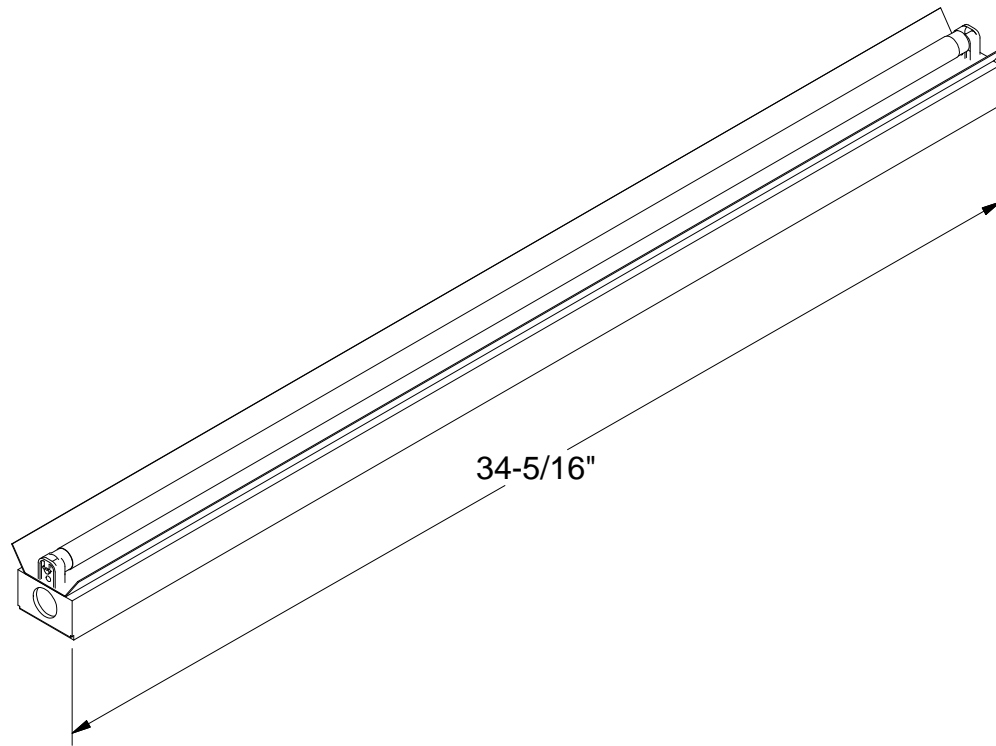
NONE

MATERIAL:


FINISH:

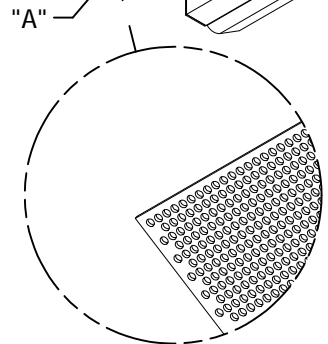
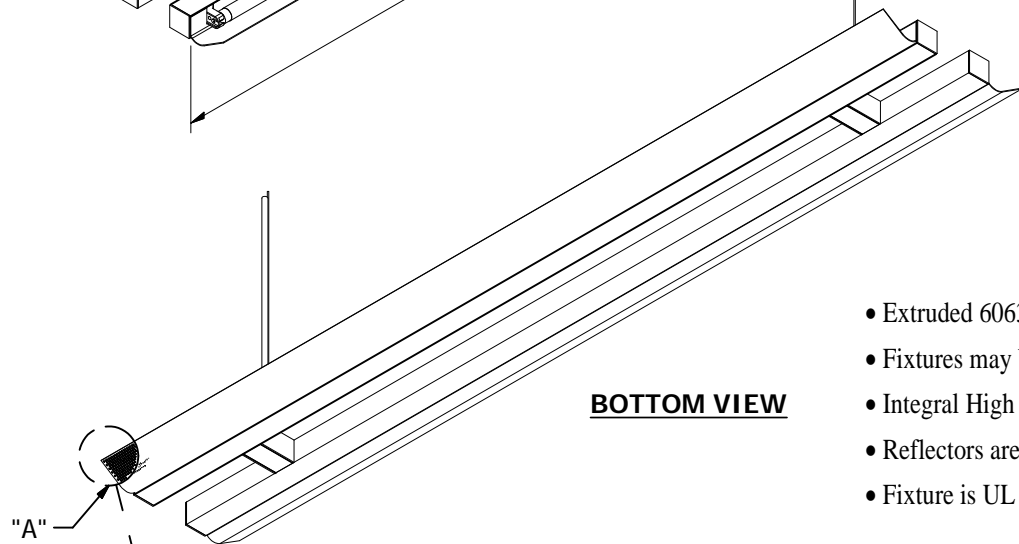
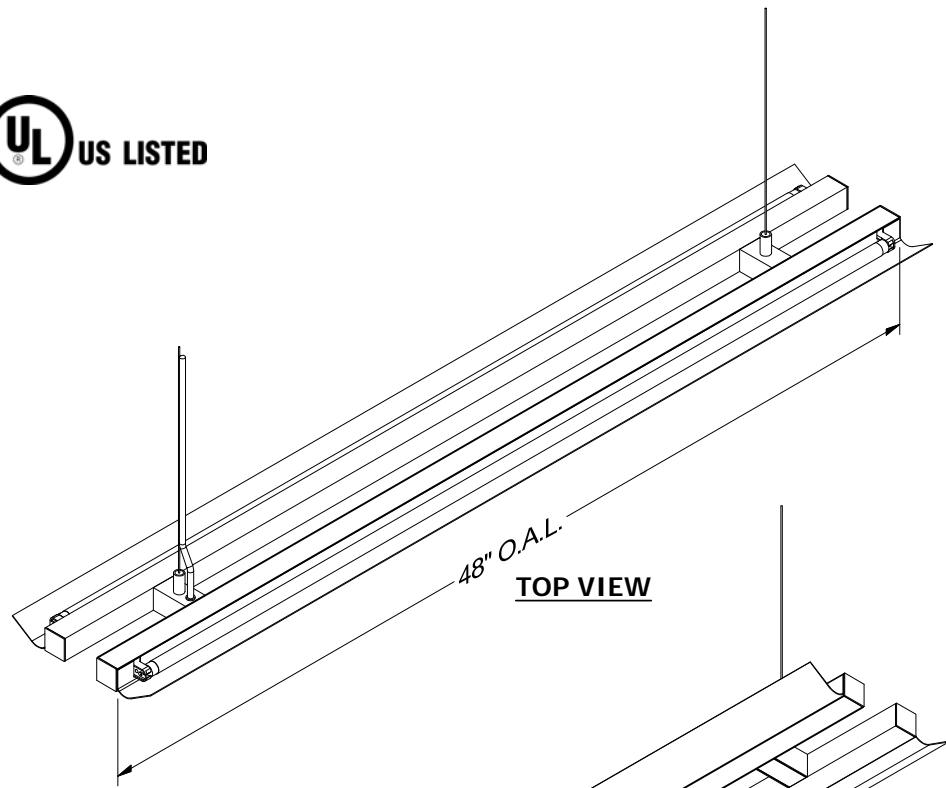
AS NOTED

AS NOTED

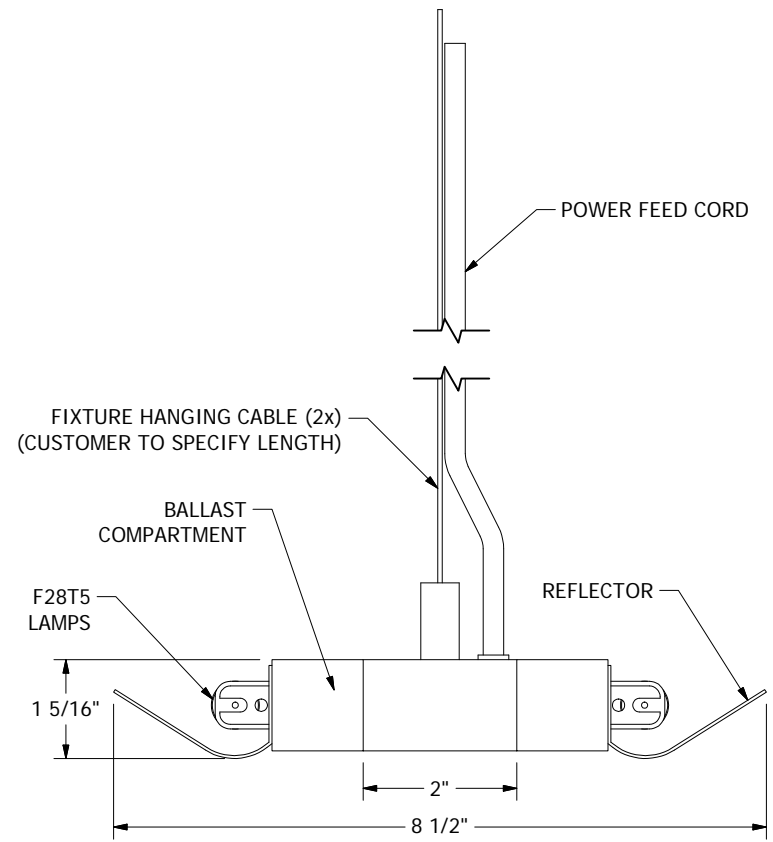


- Extruded 6063-T5 aluminum housing and cover, .060 minimum wall thickness, Satin Anodized finish, custom finishes available upon request.
- Easy installation and wiring through snap off ballast and wiring compartment cover.
- Fixtures may be mounted individually, in continuous rows.
- Multi-voltage 120/277 volt, high power factor electronic instant start ballast.
- Reflector is made of 22ga. thick CRS material with reflector white finish.
- End caps have 1/2" trade size KO's for end feed.
- All fixtures are UL & CUL LISTED damp locations.

 <p>AIREY-THOMPSON Manufacturing Quality Luminaires</p>	DESCRIPTION: AT200 SERIES FOR 1F21T5 LAMP WITH CUSTOM REFLECTOR			
	5310 N. Irwindale Ave. Irwindale CA 91706 Tel. No's. 626-960-3355 800-421-6196 Fax no. 626-960-3525	DRAWN BY: V.M	DATE:	CAD FILE: CATALOG Q10817
MATERIAL: SEE SPEC'S.			FINISH: SEE SPEC'S.	




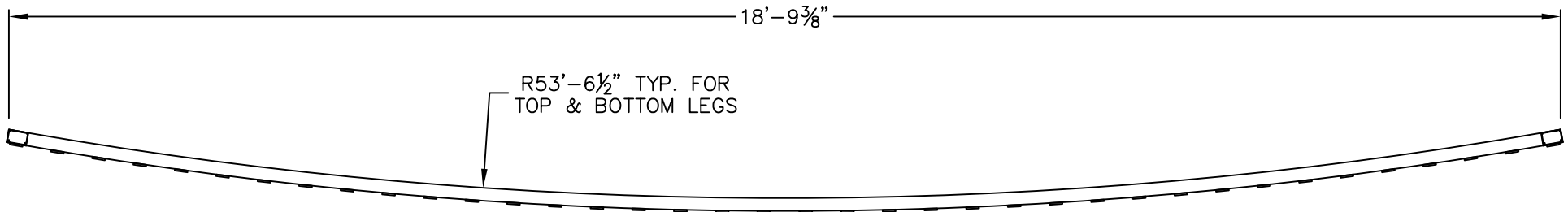
DETAIL "A"
NOTE: REFLECTOR IS FULLY PERFORATED THROUGH OUT (DETAIL SHOWS ONLY A SMALL AREA)



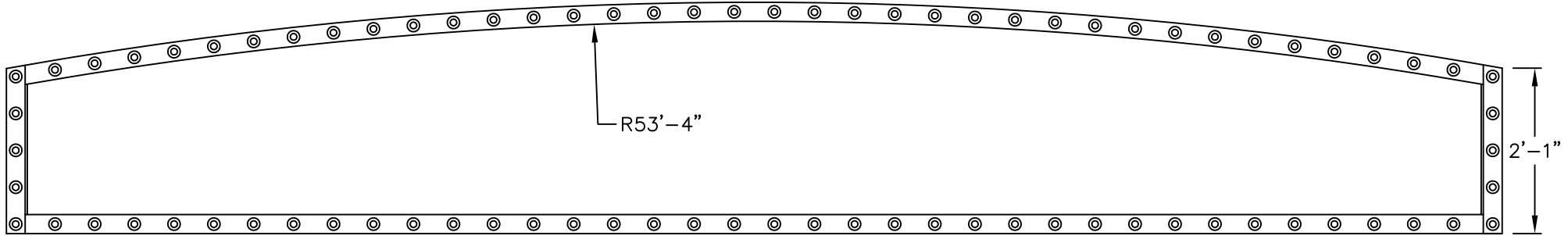
CROSS SECTION

- Extruded 6063-T5 aluminum housings and covers, .060 minimum wall thickness, with white finish.
- Fixtures may be mounted individually, or in continuous rows.
- Integral High Power Factor instant start electronic 120 volt ballast.
- Reflectors are made from .040 thick perforated cold rolled steel, with powder coat lighting grade white finish.
- Fixture is UL & CUL LISTED damp locations.

 5310 N. Irwindale Ave. Irwindale CA 91706 Tel. No's. 626-960-3355 800-421-6196 Fax no. 626-960-3525		DESCRIPTION: 2-F28T5, FLOATING LINEAR FLUORESCENT 120 VOLT, WITH PERFORATED REFLECTOR			
		DRAWN BY: V.M.	DATE:	CAD FILE: CATALOG Q10837	SCALE: NONE
MATERIAL: SEE SPEC'S.			FINISH: SEE SPEC'S.		



TOP VIEW

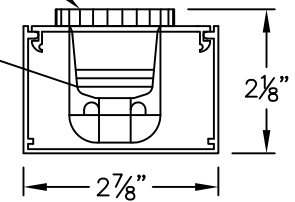


FRONT ELEVATION

FINISH: SUITABLE FOR FIELD PAINTING.
UL & CUL LISTED WET LOCATION.

WET LOCATION
GASKET

MEDIUM BASE
LAMP HOLDER
SUITABLE FOR
WET LOCATIONS



TYPICAL CROSS SECTION



AIREY-THOMPSON™
www.airey-thompson.com
5310 N. Irwindale Ave.
Irwindale CA 90706
Tel. 800-421-6196

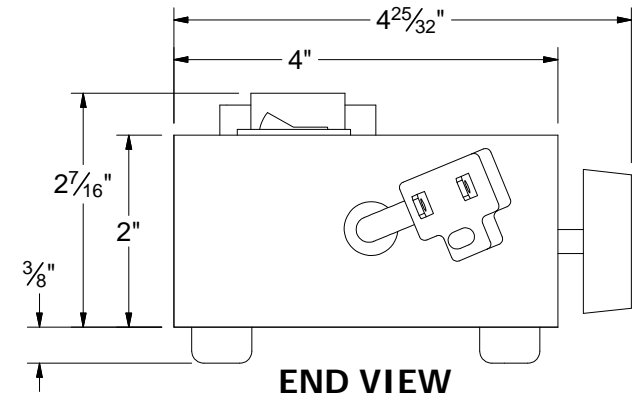
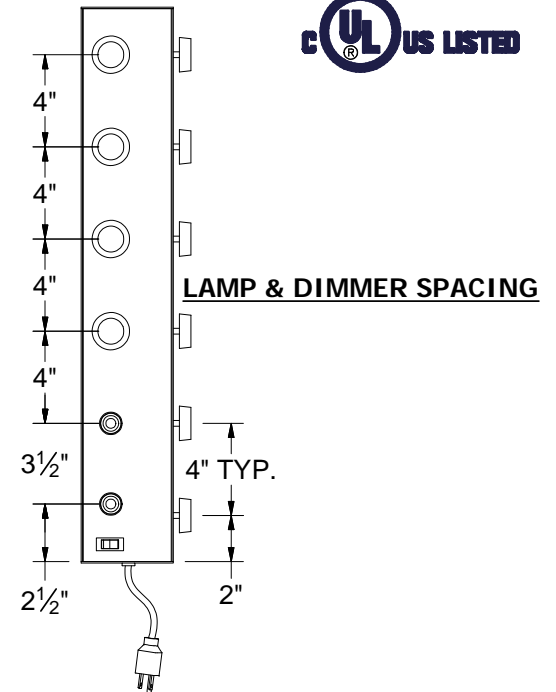
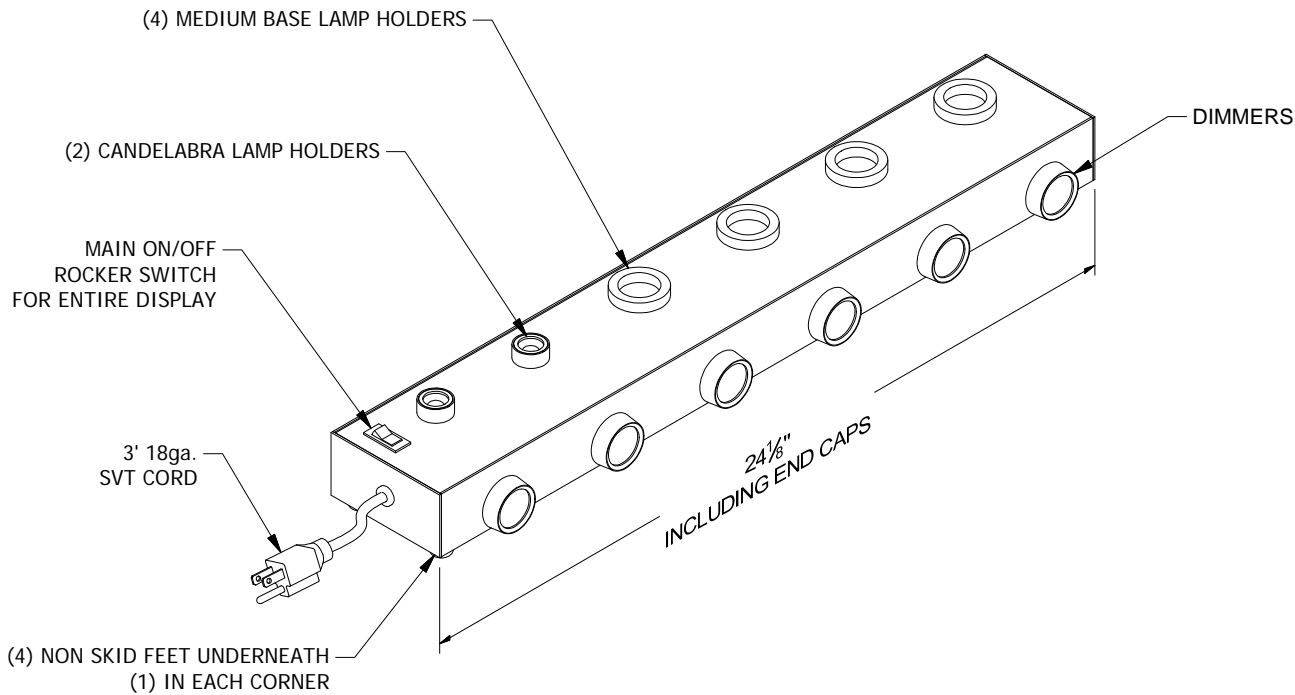
DESCRIPTION:
SL-C (32 SERIES) DECORATIVE MARQUEE LIGHTS, MBLH 6" OC WET LOC.
WIRED FOR SEQUENTIAL 3 CIRCUIT

DWG. BY: V.M.

DATE:

SCALE: NONE

MATERIAL: BASE & COVER, EXTRUDED ALUMINUM



CAUTION - RISK OF FIRE
TYPE CBLH
MOUNTING RESTRICTIONS
MAX. 60W SB-2008 **MAX. 40W**

CAUTION - RISK OF FIRE
TYPE MBLH
MOUNTING RESTRICTIONS
MAX. 100W SB-2001 **MAX. 60W**

THIS LABELS INDICATES THE LAMP WATTAGE ALLOWED ACCORDING TO THE FIXTURE POSITION

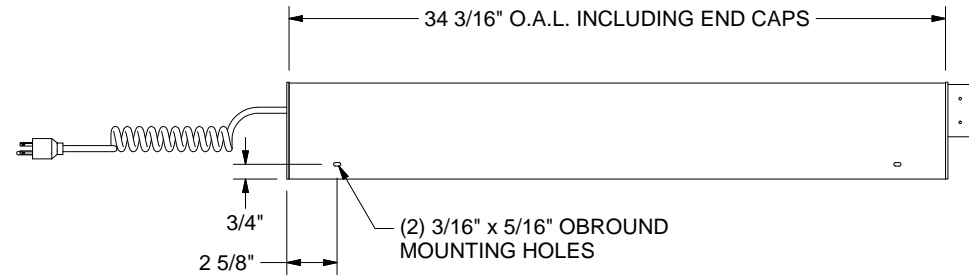
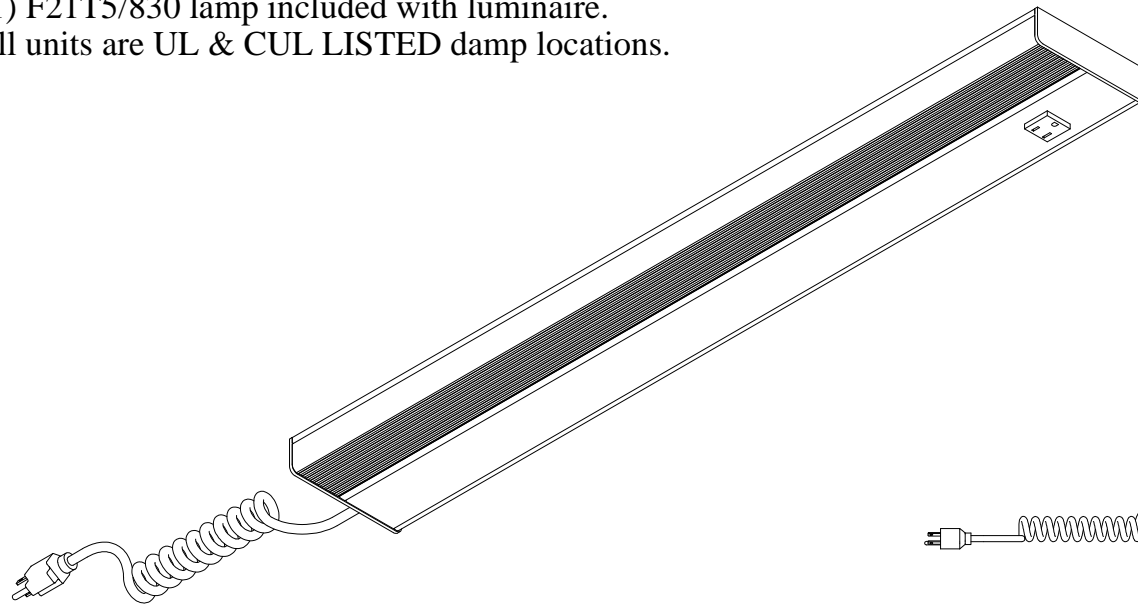


5310 N. Irwindale Ave.
Irwindale CA 91706
Tel. No's.
626-960-3355
800-421-6196
Fax no.
626-960-3525

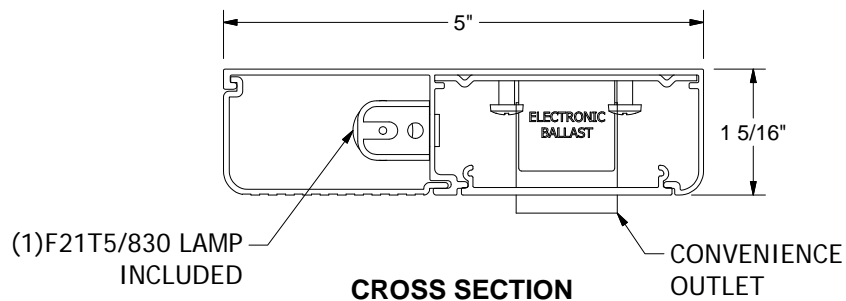
DESCRIPTION: 2x4 SERIES, (6) LAMP TESTING FIXTURE WITH DIMMERS & CORD			
DRAWN BY: V.M.	DATE:	CAD FILE: CATALOG SB2008	SCALE: NONE
MATERIAL: BASE & COVER, EXTRUDED ALUM.		FINISH: POLISHED ALUMINUM	

SPECIFICATIONS:


- Robust housing includes extruded 6063T-5 aluminum base and cover with .060 nominal wall thickness.
- White powder coat finish.
- Co-molded lens has a semi-opaque front for high visual comfort.
- Die formed .125" end caps with no visible fasteners.
- Low 1-5/16" profile allows placement in shallow locations.
- White coil cord 6' & convenience outlet to allow daisy chain runs.
- High power factor electronic program start ballast.
- (1) F21T5/830 lamp included with luminaire.
- All units are UL & CUL LISTED damp locations.

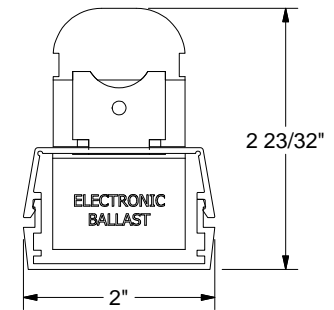
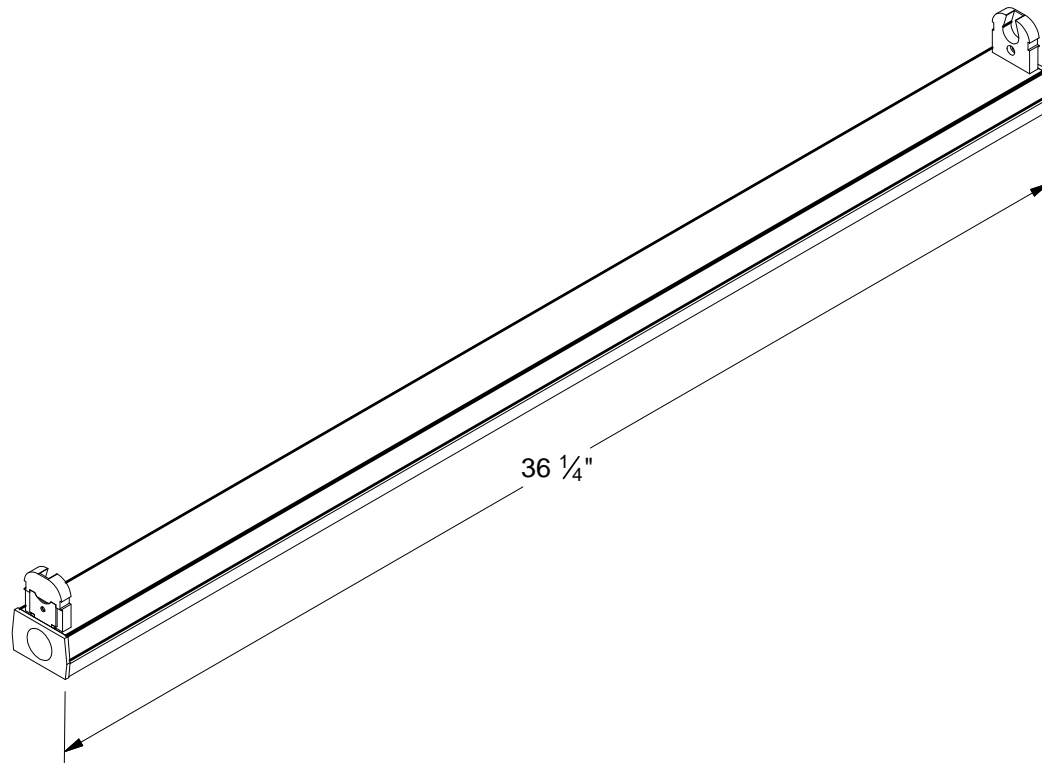


BACK VIEW



CROSS SECTION


 AIREY-THOMPSON		DESCRIPTION:			
		WHITE COIL CORD 6' LG., DAISY CHAIN CONNECTOR & (1)F21T5/830 FLUORESCENT LAMP			
5310 N. Irwindale Ave. Irwindale CA 91706 Tel. No's. 626-960-3355 800-421-6196 Fax no. 626-960-3525		DRAWN BY: V.M.	DATE:	CAD FILE: CATALOG SB-2010	SCALE: NONE
MATERIAL: SEE SPEC's.				FINISH: SEE SPEC's.	

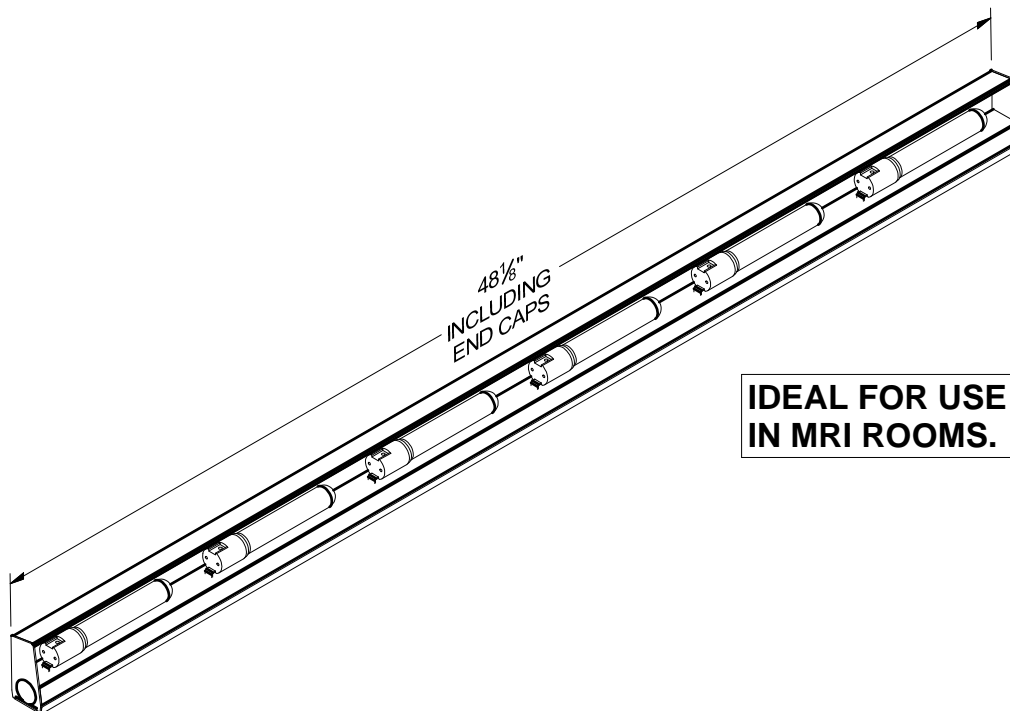


TYPICAL CROSS SECTION

- Extruded 6063-T5 aluminum housing and cover, .060 minimum wall thickness, Satin Anodized finish, custom finishes available upon request.
- Easy installation and wiring through snap off compartment cover.
- Fixtures may be mounted individually, or in continuous rows.
- Integral high power factor instant start electronic 120 volt ballast.
- Feed end caps are included to allow feeding from ends.
- Fixture is UL & CUL LISTED damp locations.



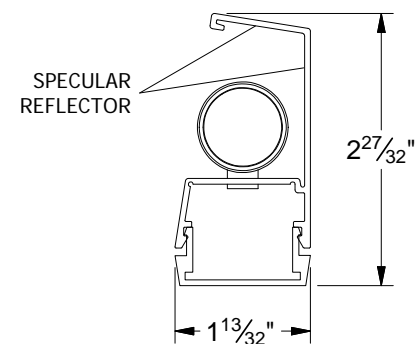
 <p>AIREY-THOMPSON Manufacturing Quality Luminaires</p>	DESCRIPTION: 2RM SERIES, LUMINAIRE SATIN FINISH, FOR USE WITH (1) F30T8 BLACK LIGHT BULB			
	DRAWN BY: V.M.	DATE:	CAD FILE: CATALOG SB-2002	SCALE: NONE
5310 N. Irwindale Ave. Irwindale CA 91706 Tel. No's. 626-960-3355 800-421-6196 Fax no. 626-960-3525	MATERIAL: SEE SPEC's.		FINISH: SEE SPEC's.	



**IDEAL FOR USE
IN MRI ROOMS.**

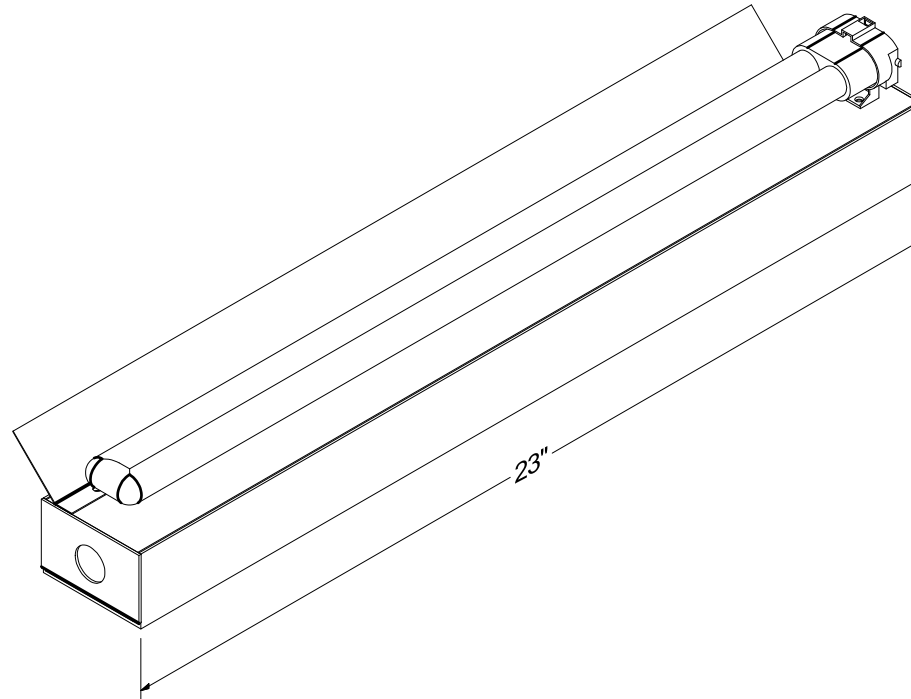
SPECIFICATIONS

- Fixtures are made from non-ferrous materials and components.
- Extruded 6063-T5 aluminum base and cover with .050 nominal wall thickness.
- Custom dark bronze powder coat finish, other finishes available.
- Offers the incandescent lamps color rendering that is required in many installations.
- Easy installation and wiring through snap off wiring compartment.
- Easily dimmable with standard dimming controls.
- Lamps mounted on 8 in. centers for continuous row fixtures.
- Supplied with phenolic intermediate base lamp holders.
- Lamps are available clear or frosted in 20, 25, & 40 watts.
- End to end lamp configurations for even light distribution.
- Fixtures are shipped with two feed end fittings, for continuous row mounting, simply remove end caps where luminaires meet, and use the internal coupler (provided) to make a seamless link.
- All units are UL & CUL LISTED damp locations.
- Consult factory for special miters and lamp spacing.
- On continuous row fixtures the standard lamp centers is maintained and any difference in length is balanced out on each end.



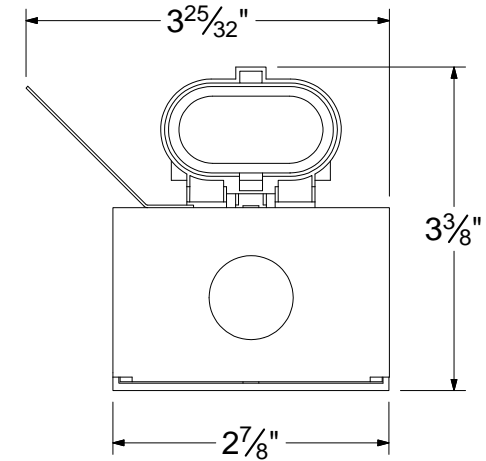
TYPICAL CROSS SECTION


		DESCRIPTION:			
		<p>NON-FERROUS COMPONENTS FIXTURE T61/2 INCANDESCENT LAMPS & SPECULAR REFLECTOR</p>			
5310 N. Irwindale Ave. Irwindale CA 91706 Tel. No's. 626-960-3355 800-421-6196 Fax no. 626-960-3525		DRAWN BY: V.M.	DATE:	CAD FILE: CATALOG SB-2004	SCALE: NONE
MATERIAL: SEE SPEC's.				FINISH: SEE SPEC's.	

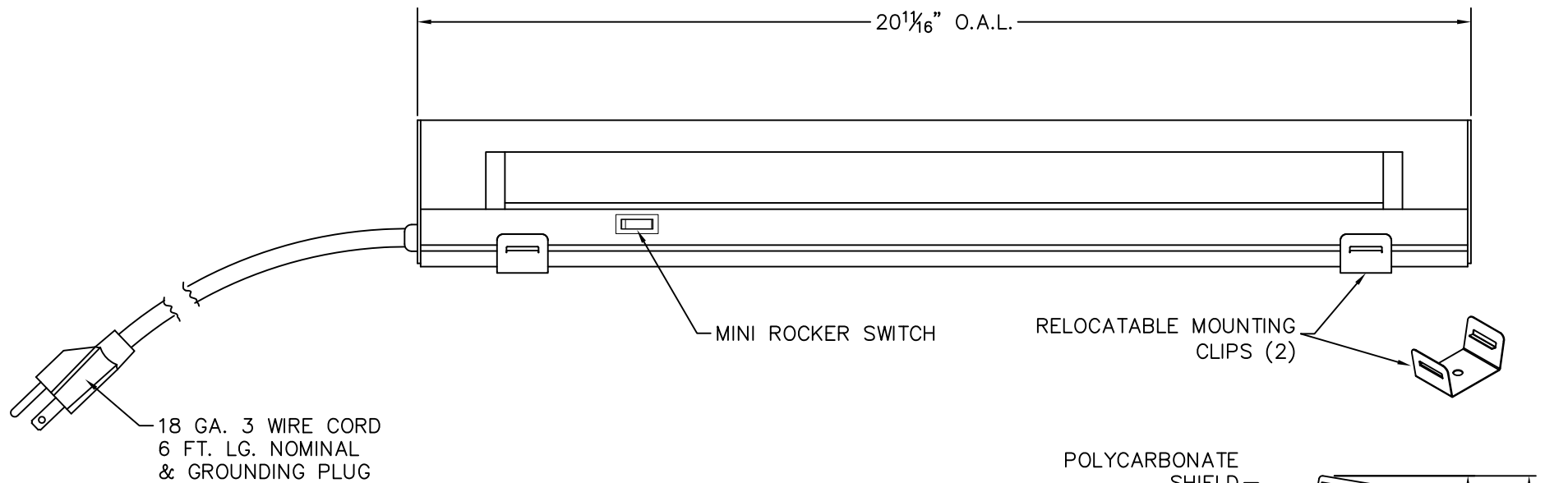


SPECIFICATIONS

- Extruded 6063-T5 aluminum housing and cover, .050 minimum wall thickness.
- Satin anodized aluminum finish. Custom finishes available on special request.
- Supplied with 2G11 lamp base for a 40 watt twin tube lamp (lamps by others).
- Asymmetrical reflector is made of 22 ga. and finished with high reflectance white powder coat.
- Equipped with a 277 volt electronic ballast.
- Snap off cover for easy access to ballast and wiring compartment.
- Both end caps have a 1/2" trade size KO for easy wiring.
- All fixtures are UL & CUL LISTED damp locations.

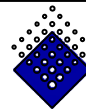
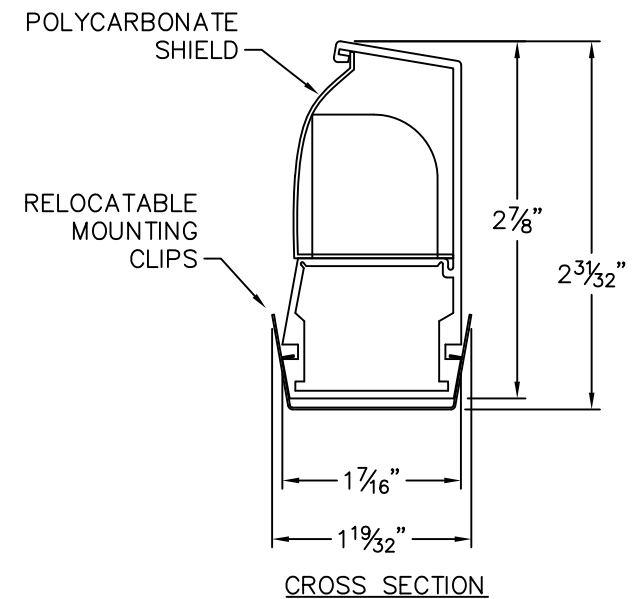


 <p>5310 N. Irwindale Ave. Irwindale CA 91706 Tel. No's. 626-960-3355 800-421-6196 Fax no. 626-960-3525</p>	DESCRIPTION:			
	32107 SERIES, COVE LIGHTING, SINGLE LAMP MODULE WITH A CUSTOM ASYMMETRIC WHITE REFLECTOR			
	DRAWN BY:	DATE:	CAD FILE:	SCALE:
V.M.		CATALOG SO27239	NONE	
MATERIAL:			FINISH:	
SEE NOTES			SEE NOTES	



SPECIFICATIONS

- * Equipped with integral 120 volt electronic ballasts.
- * Small cross section allows placement in tough, space restricted locations.
- * Robust housing includes extruded 6063T-5 aluminum base and cover.
- * Satin anodized aluminum finish is standard, custom finishes available upon request.
- * Shipped with (2) relocatable mounting clips for easy Luminaire mounting.
- * For use with (1) F15T8 lamp. (Lamps by others).
- * All units are UL & CUL LISTED damp locations.



AIREY-THOMPSON

5310 Irwindale Ave.
Irwindale CA 91706
Tel. No's
626-960-3355
800-421-6196

DESCRIPTION:

CUSTOM 29 SERIES WITH
POLYCARBONATE LAMP SHIELD

DRAWN BY:

V.M.

DATE:

CAD FILE:

CATALOG Q10692-1

SCALE:

NONE

MATERIAL:

SEE SPEC's.

FINISH:

SEE SPEC's.